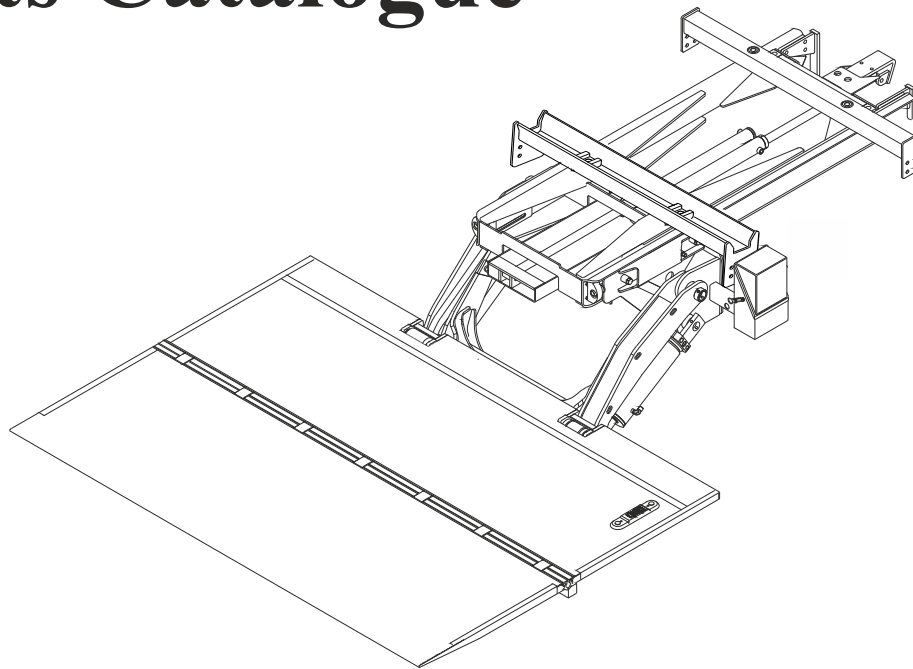


# MAXON<sup>®</sup>

## Spare Parts Catalogue



**MAXON<sup>®</sup>**  
Lift CORP.

11921 Slauson Avenue.  
Santa Fe Springs, CA 90670  
(800) 227 - 4116

## Slidelift Series

### GPS 55 X1, GPS 55 C X1

**X1** *THAT'S IT!*  
TECHNOLOGY

Document no. S 20 904 495  
Print date 01.2020

**MAXON<sup>®</sup>**

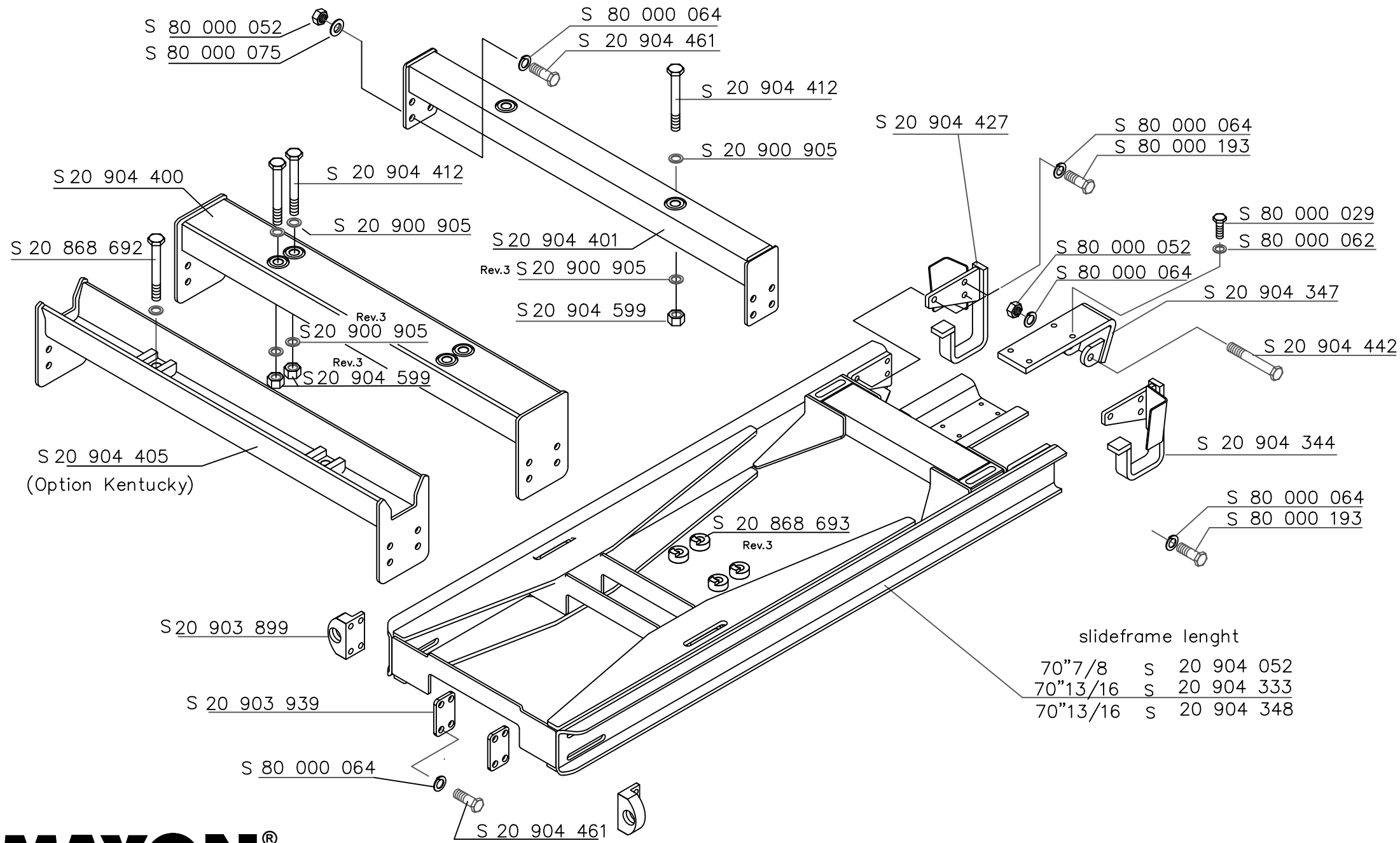
**Spare Parts Catalogue  
for Slidelift Series**

**GPS 55 X1**

# Contents

Contact information	I
Contents	II
<b>1 Spare Parts Catalogue for Slidelift Series GPS 55 X1</b>	
Slideframe	1
Wagon	2
Platform	3
Platform new	3.1
Lifting Cylinder S 20 903 037	4
Single Powerpack 12 Volt	5
Double Powerpack 12 Volt, S 22 905 574	6
<b>2 Spare Parts Catalogue for Slidelift Series GPS 55 C X1</b>	
Slideframe	7
Wagon	8
Platform	9
Platform new	9.1
<b>3 Spare Parts Catalogue for Slidelift Series GPS 55 X1 and GPS 55 C X1</b>	
Platform Cable-Set Series 10	10
Lifting Mechanism	11
Sliding Cylinder S 20 904 066	12
Tilting Cylinder S 20 902 265	13
Lifting Cylinder S 20 905 489	14
Double Powerpack 12 Volt, S 20 905 590	15-16
Fitting on Powerpack S 20 905 590	17
Holder for Powerpack S 20 905 590	18
Footcontrol	19
Hand Held Control	20
Electrical connection plan	21
Hydraulicfitting plan	22

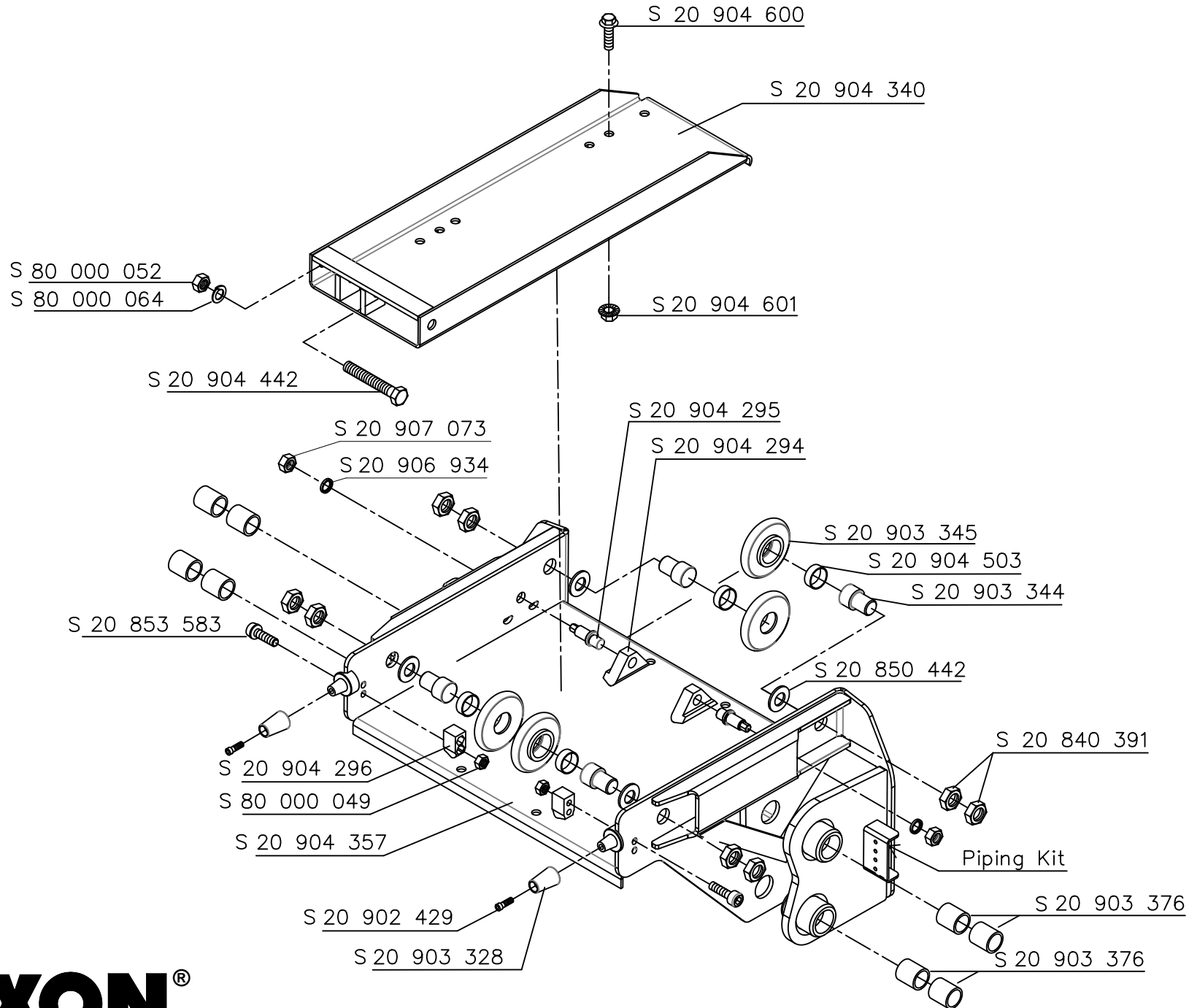
# Slideframe



# MAXON®

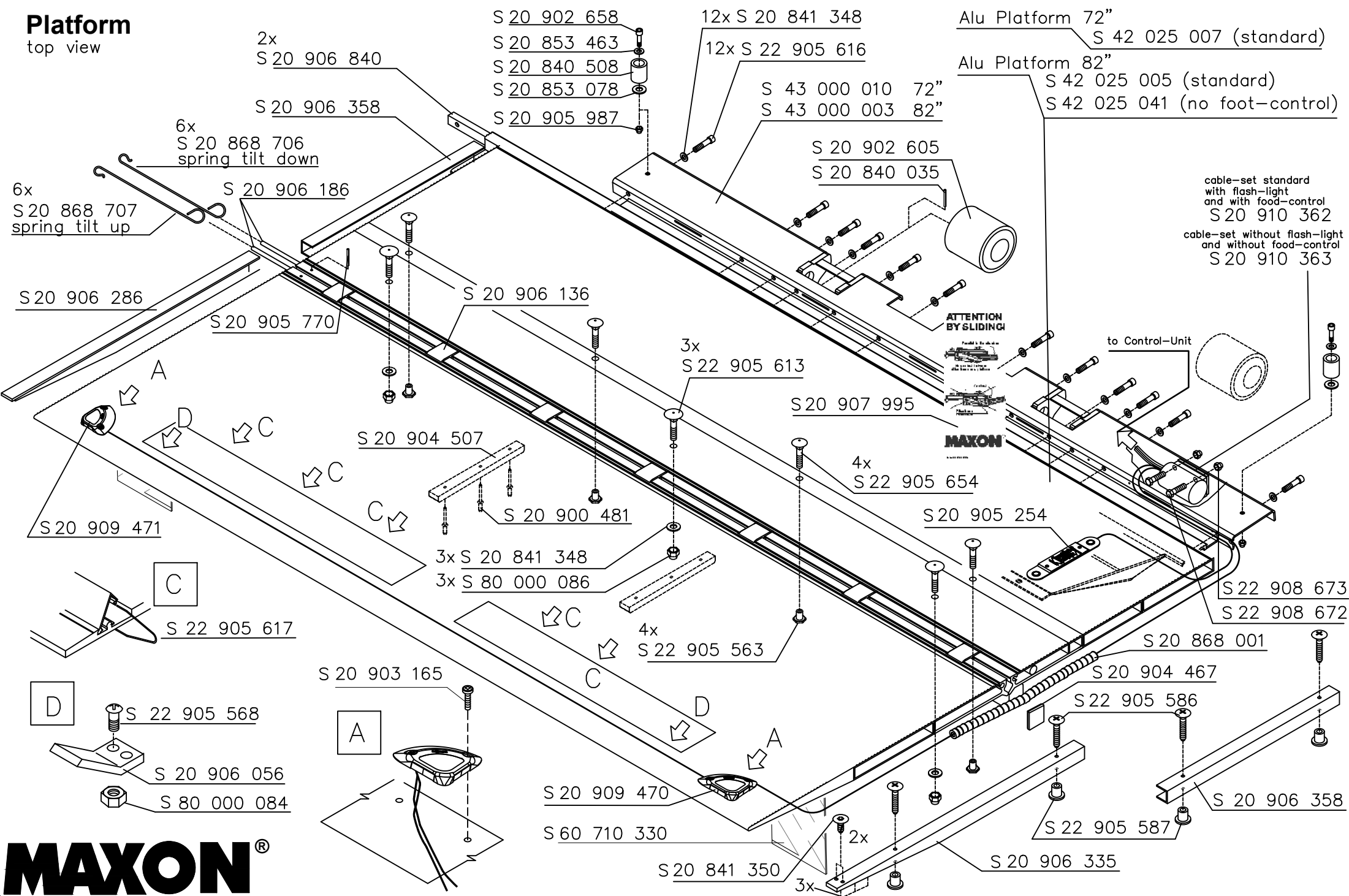
## GPS 55 X1

# Wagon



# Platform

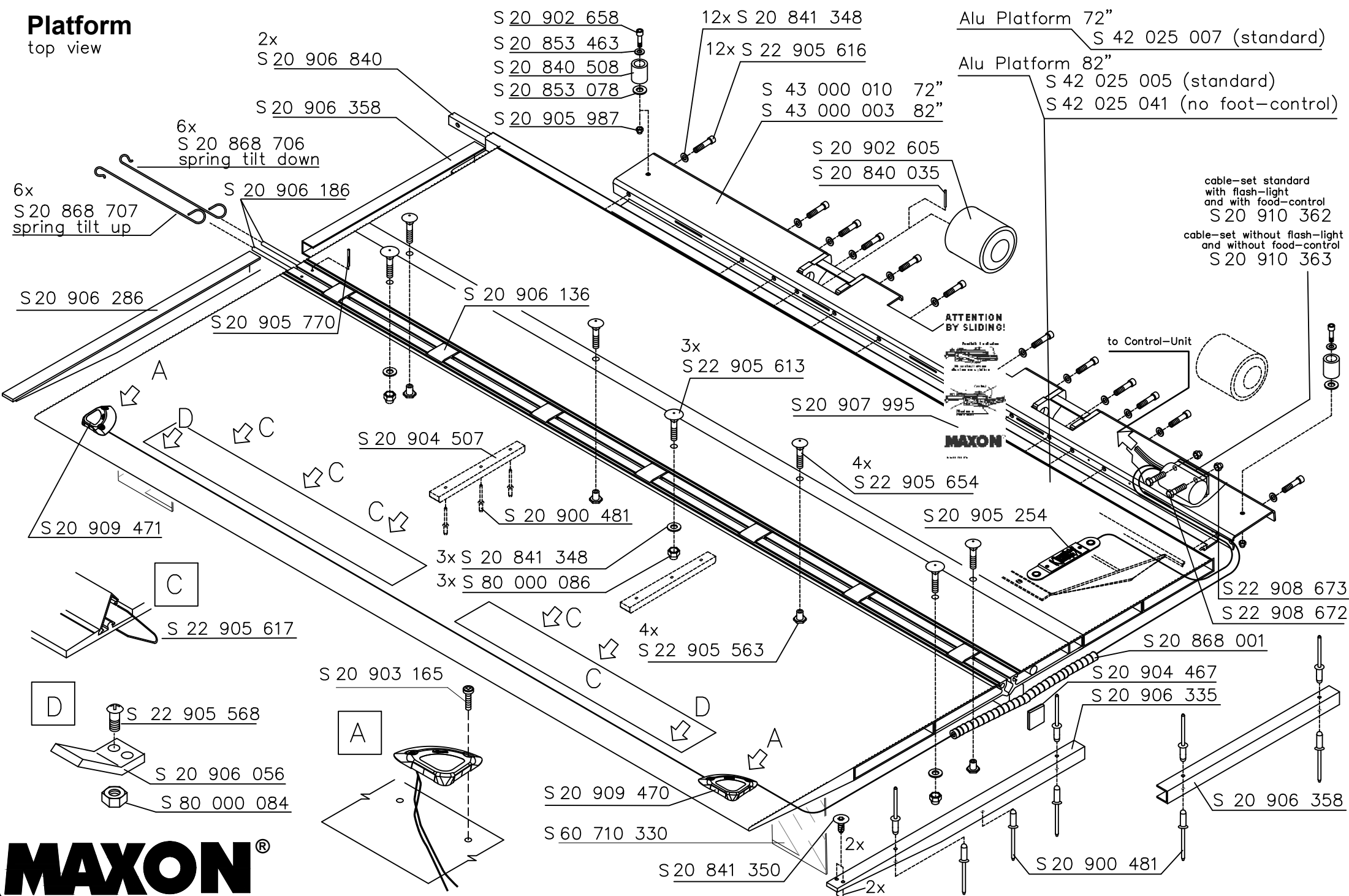
top view



**MAXON**<sup>®</sup>  
GPS 55 - X1

# Platform

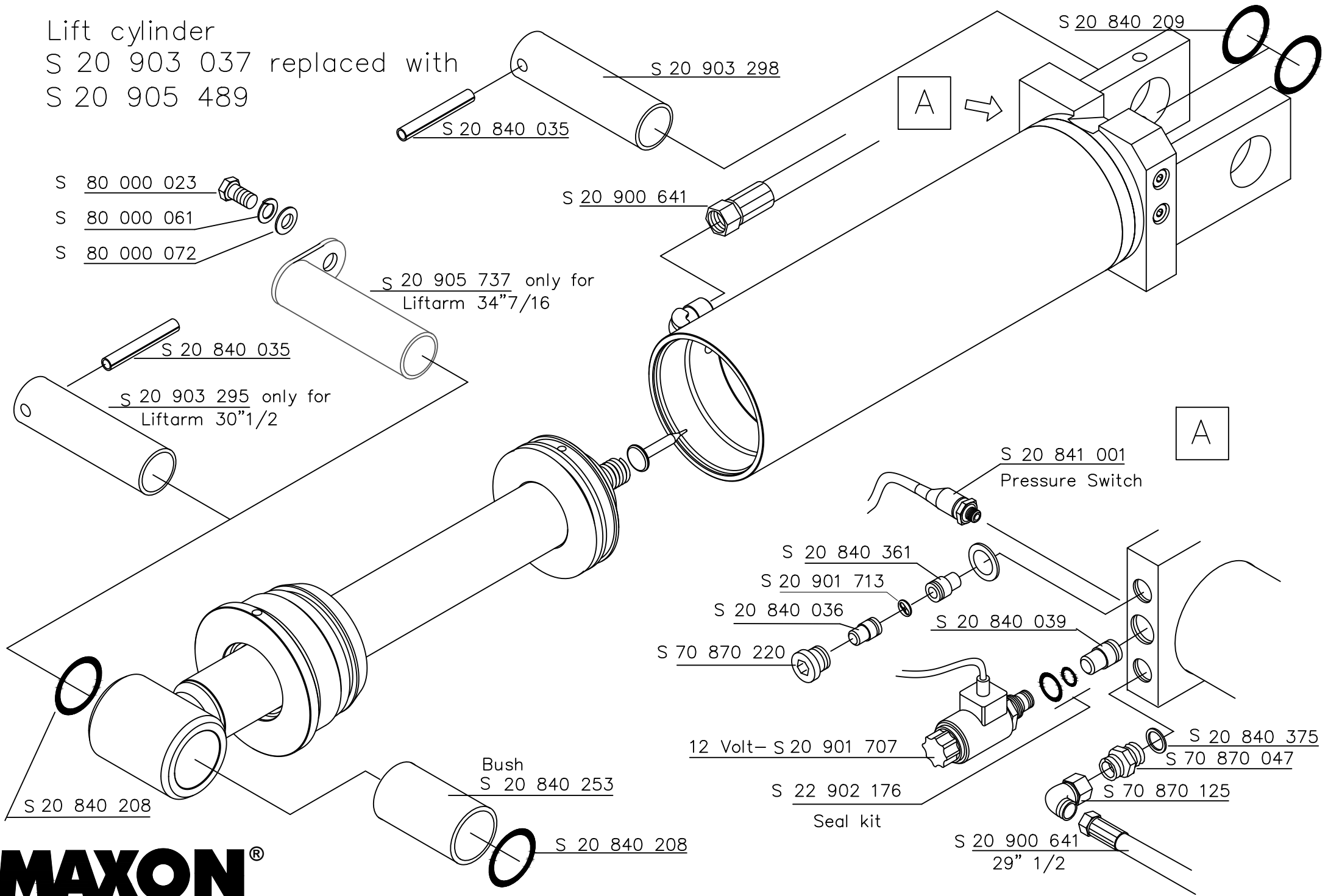
top view



**MAXON**<sup>®</sup>  
GPS 55 - X1

Lift cylinder

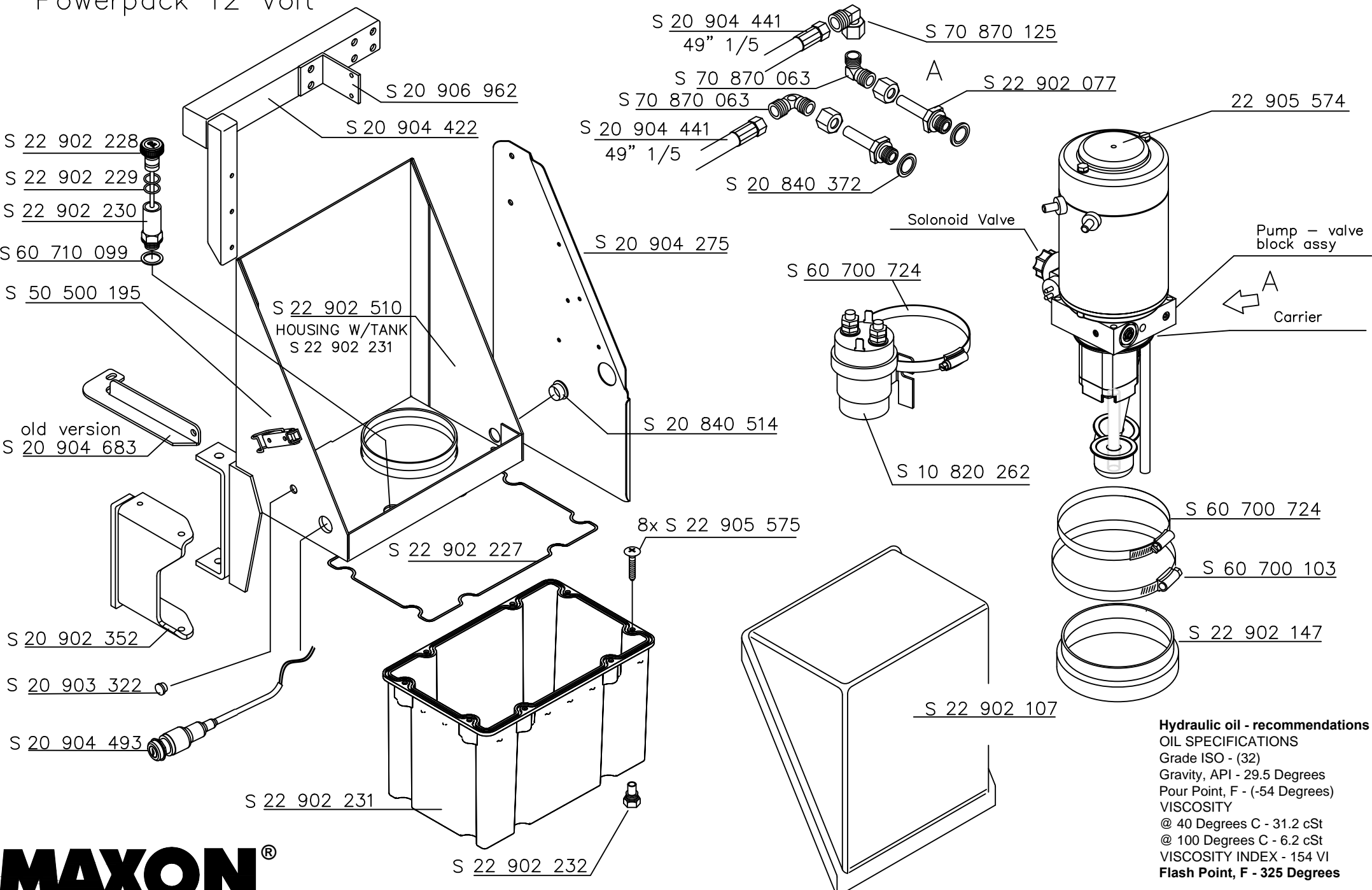
S 20 903 037 replaced with  
S 20 905 489



**MAXON**<sup>®</sup>  
GPS 55 X1



# Powerpack 12 Volt



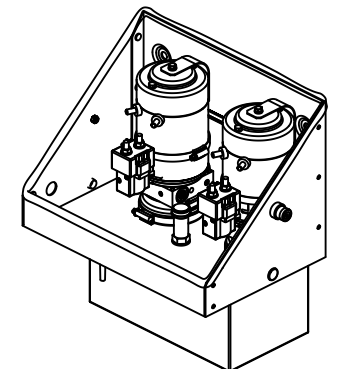
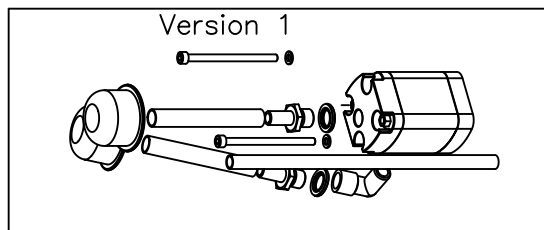
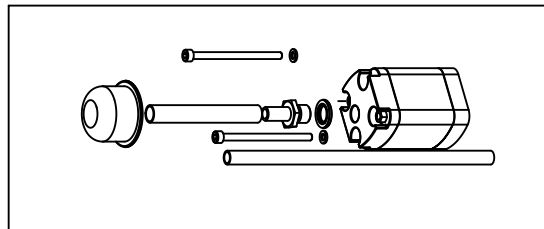
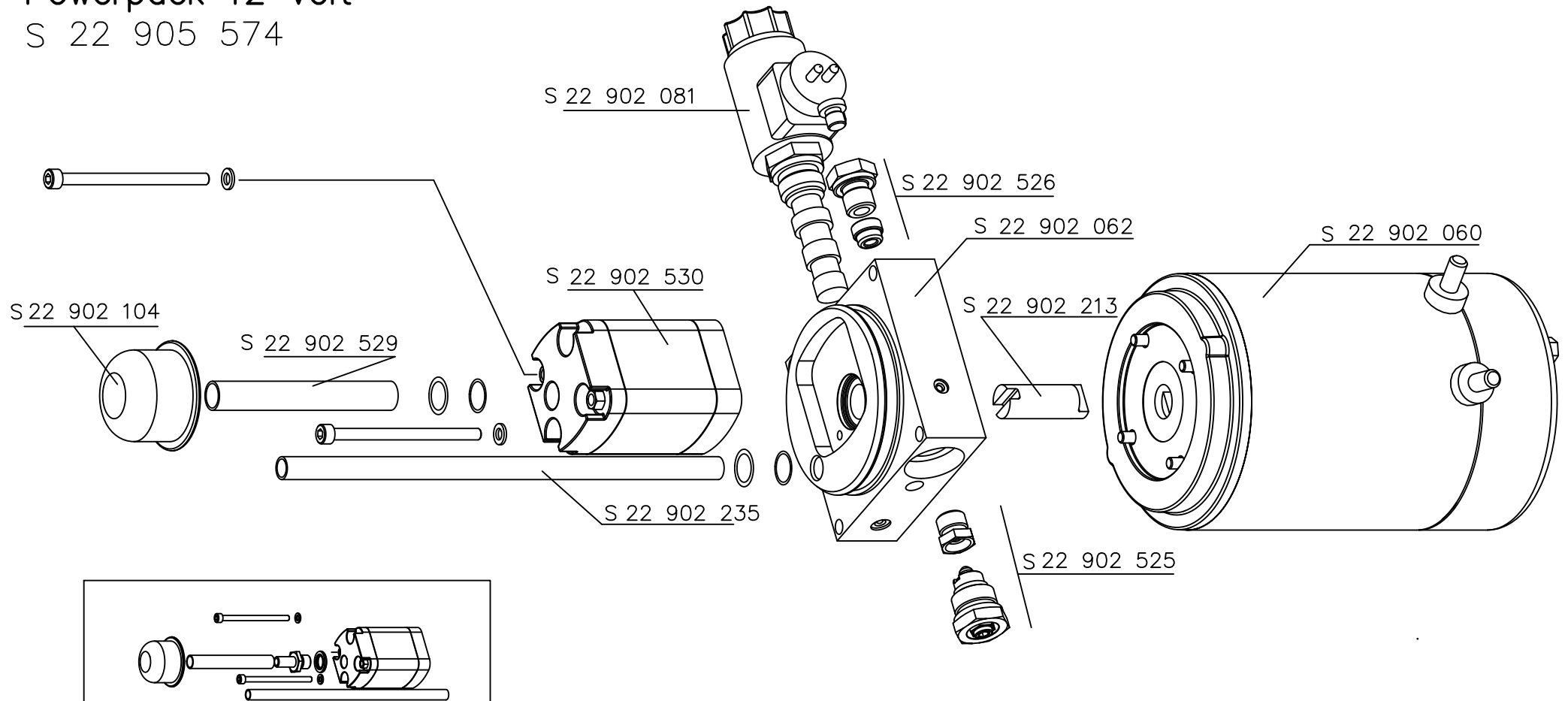
**Hydraulic oil - recommendations**  
 OIL SPECIFICATIONS  
 Grade ISO - (32)  
 Gravity, API - 29.5 Degrees  
 Pour Point, F - (-54 Degrees)  
 VISCOSITY  
 @ 40 Degrees C - 31.2 cSt  
 @ 100 Degrees C - 6.2 cSt  
 VISCOSITY INDEX - 154 VI  
 Flash Point, F - 325 Degrees

**MAXON®**

**GPS 55 X1**

# Powerpack 12 Volt

S 22 905 574

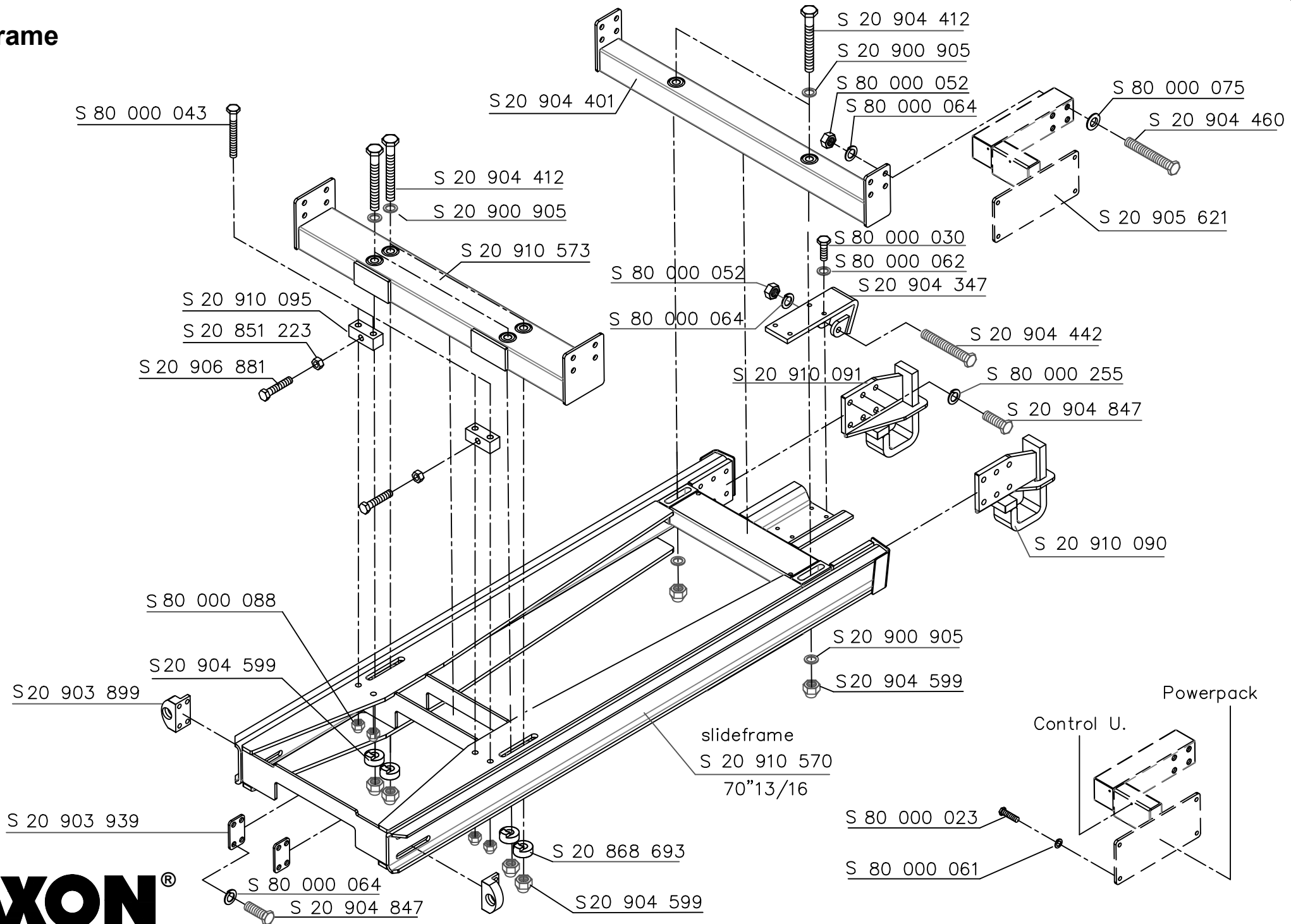


**MAXON<sup>®</sup>**

**Spare Parts Catalogue  
for Slidelift Series**

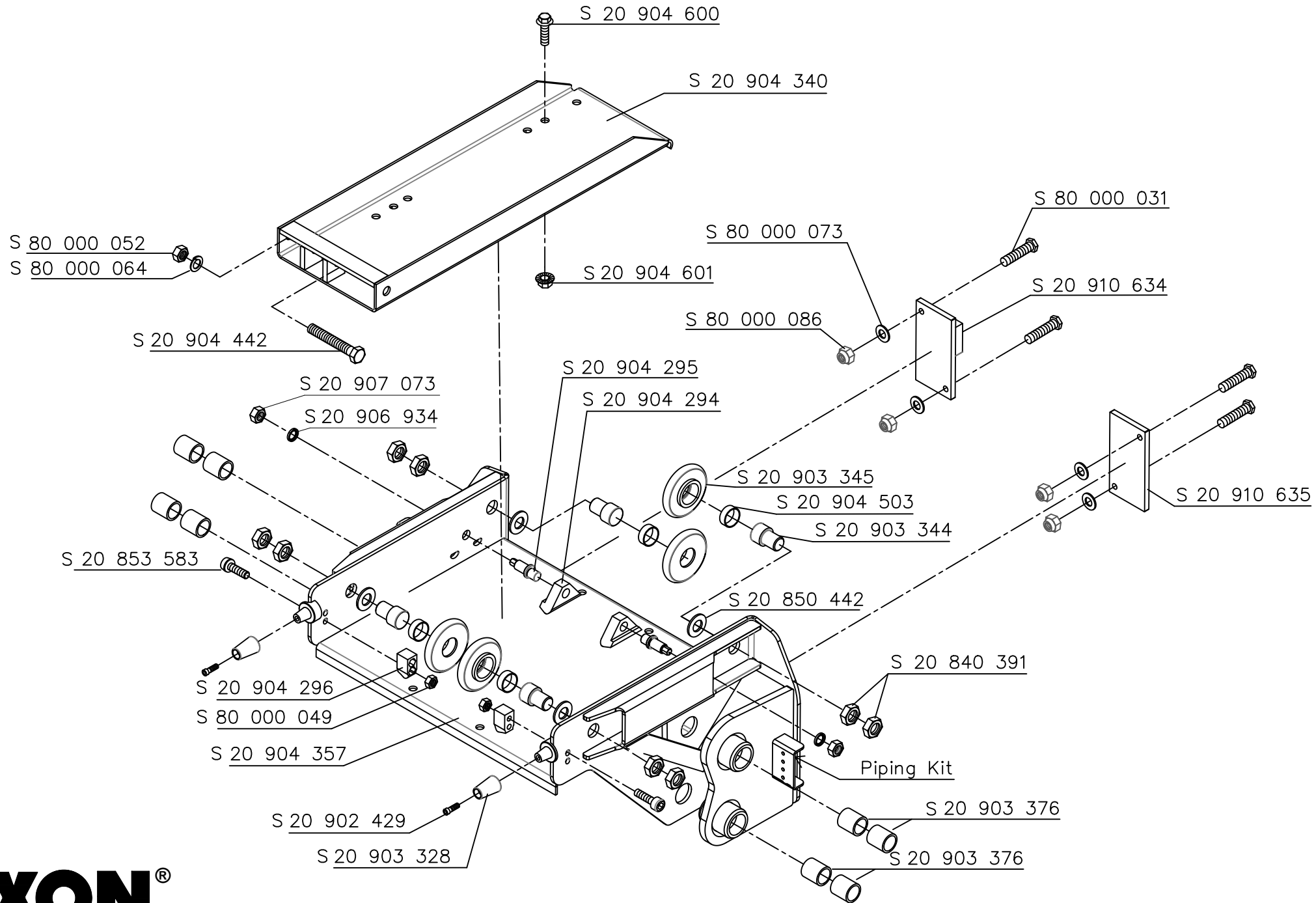
**GPS 55 C X1**

# Slideframe



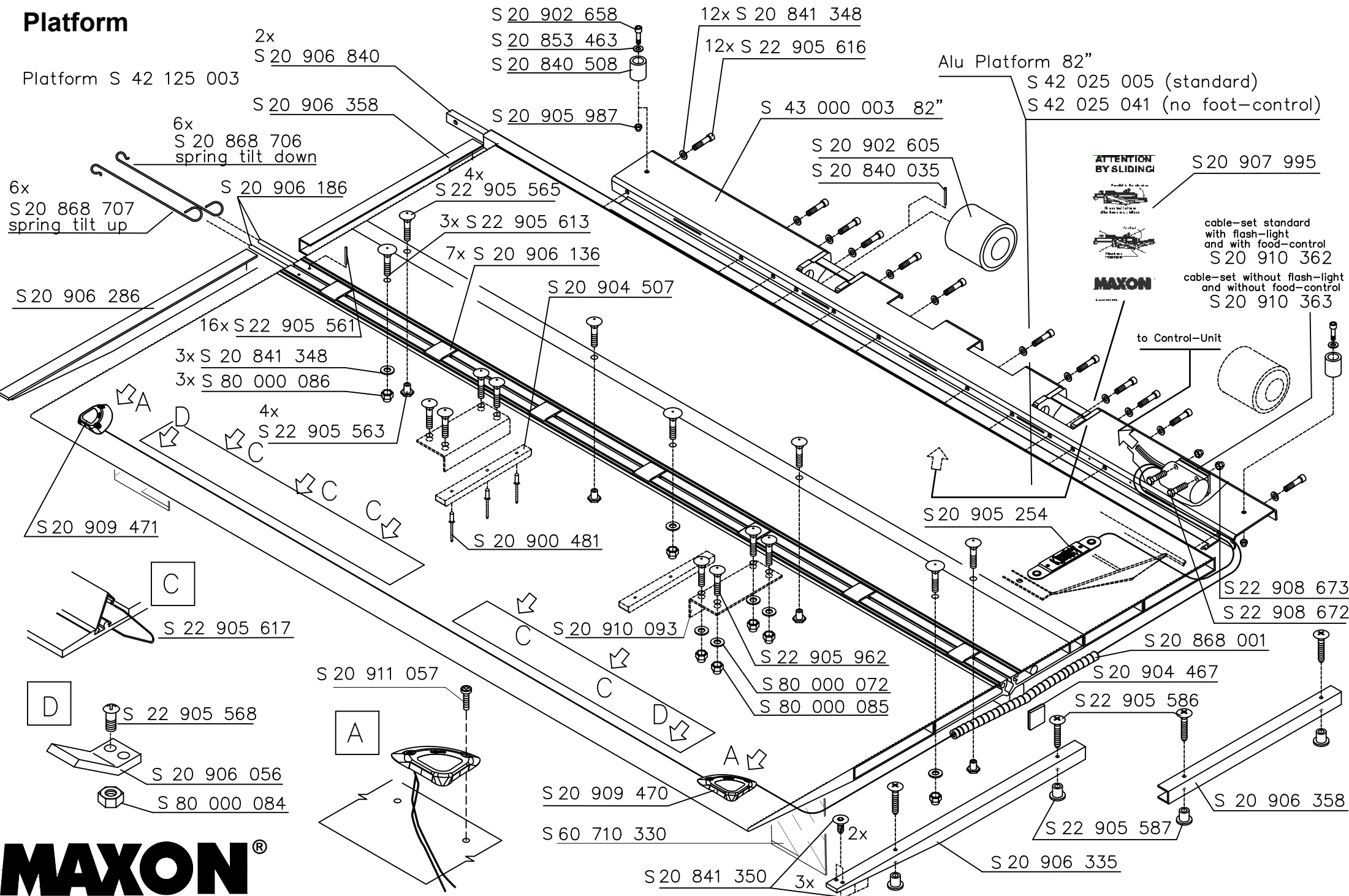
**MAXON**<sup>®</sup>  
GPS 55 C - X1

# Wagon



# Platform

Platform S 42 125 003



GPS 55 C - X1



**MAXON<sup>®</sup>**

**Spare Parts Catalogue  
for Slidelift Series**

**GPS 55 X1 and GPS 55 C X1**



# GPS platform cable-set Series 10

LED-warning-flashing-light  
S 20 909 471

to Control-Unit

sensor S2 switch

cable-set standard  
with flash-light  
and with food-control  
S 20 910 362

cable-set without flash-light  
and without food-control  
S 20 910 363

Foot-control  
S 20 905 254

Foot-control and LED-warning-flashing-light  
is not included in the cable-set  
S 20 910 362 and S 20 910 363

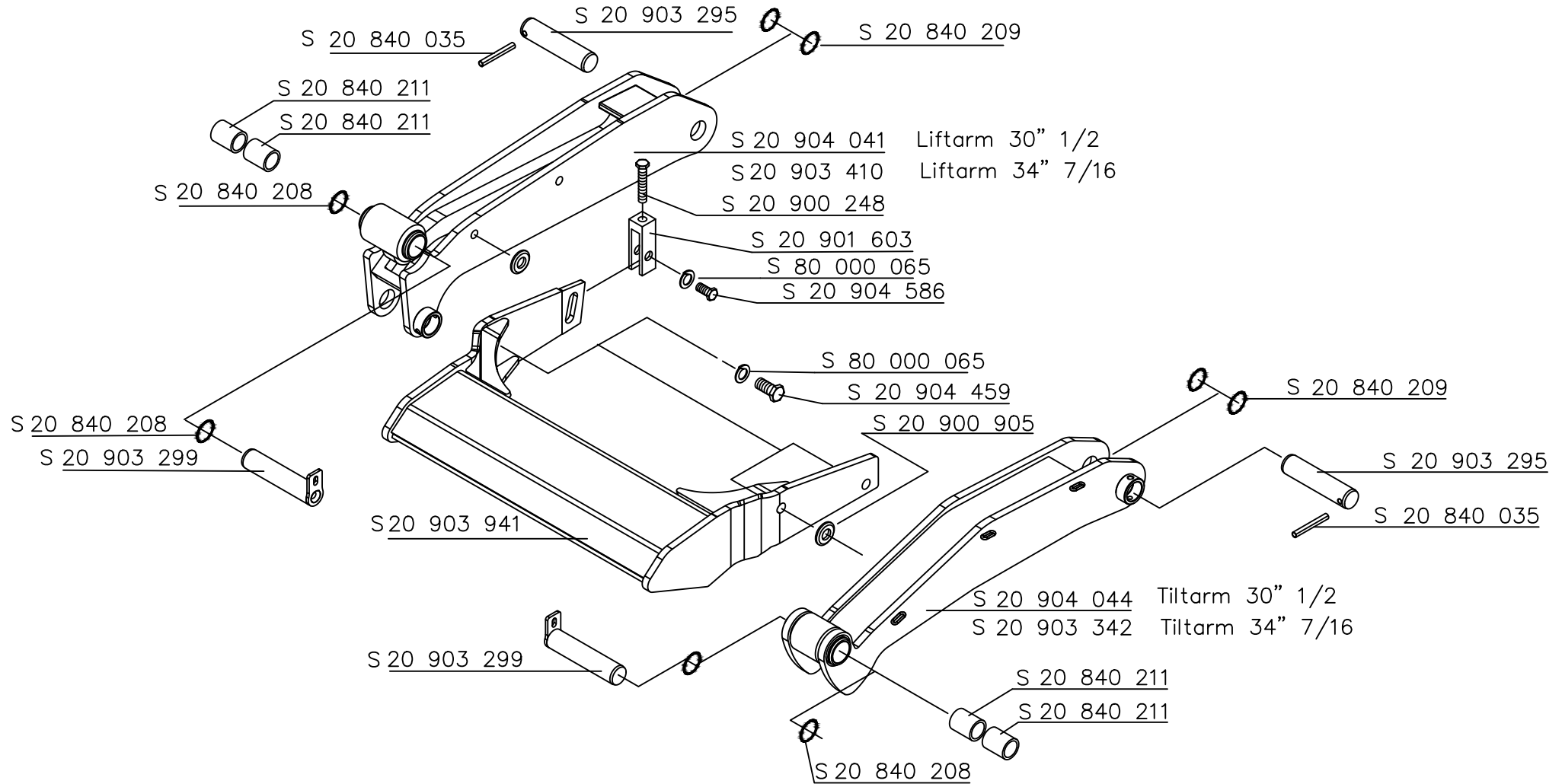
flextube

LED-warning-flashing-light  
S 20 909 470

# MAXON®

## GPS 55 X1 / GPS 55 C X1

# Lifting mechanism

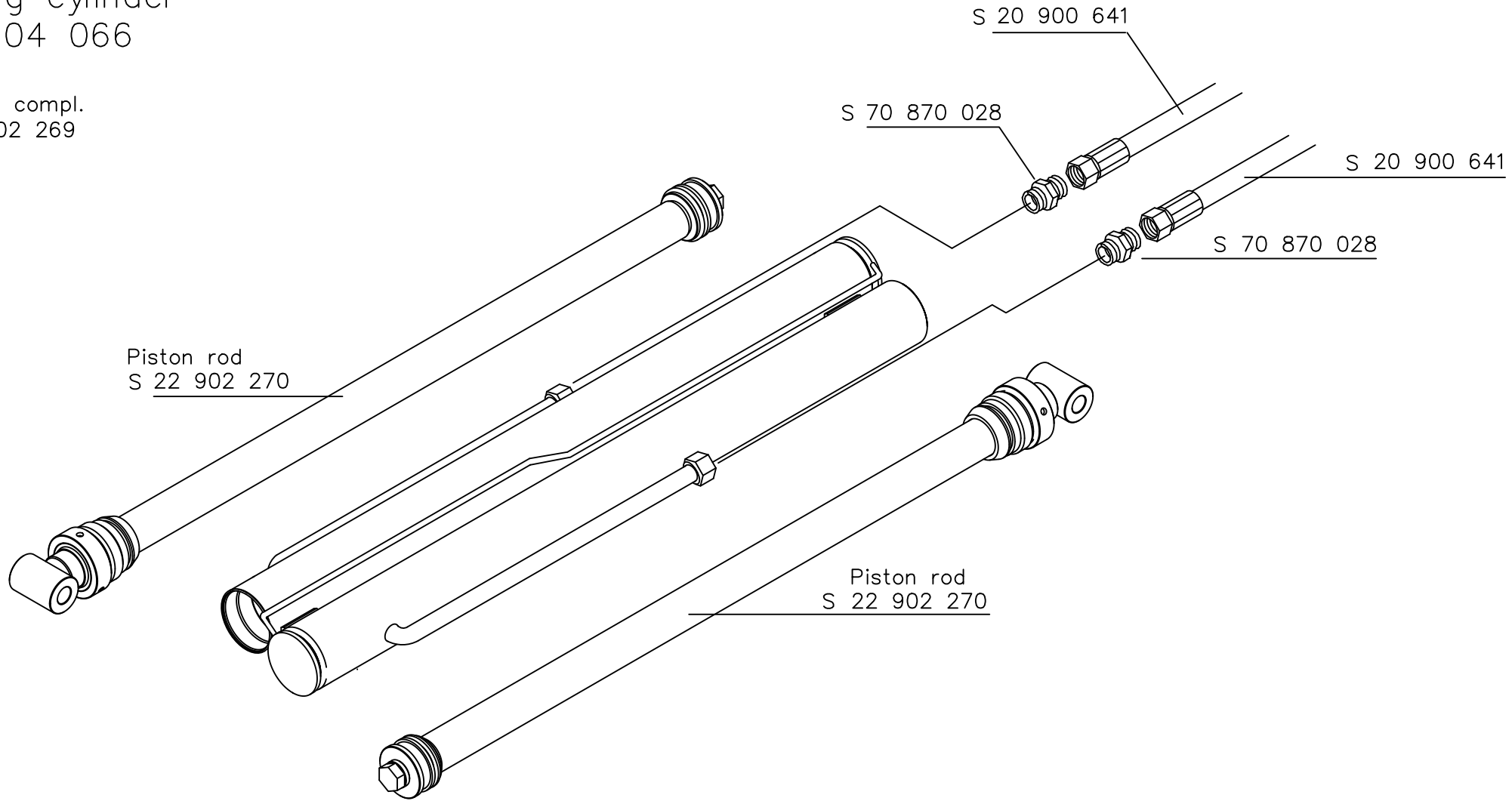


**MAXON**<sup>®</sup>

GPS 55 X1 / GPS 55 C X1

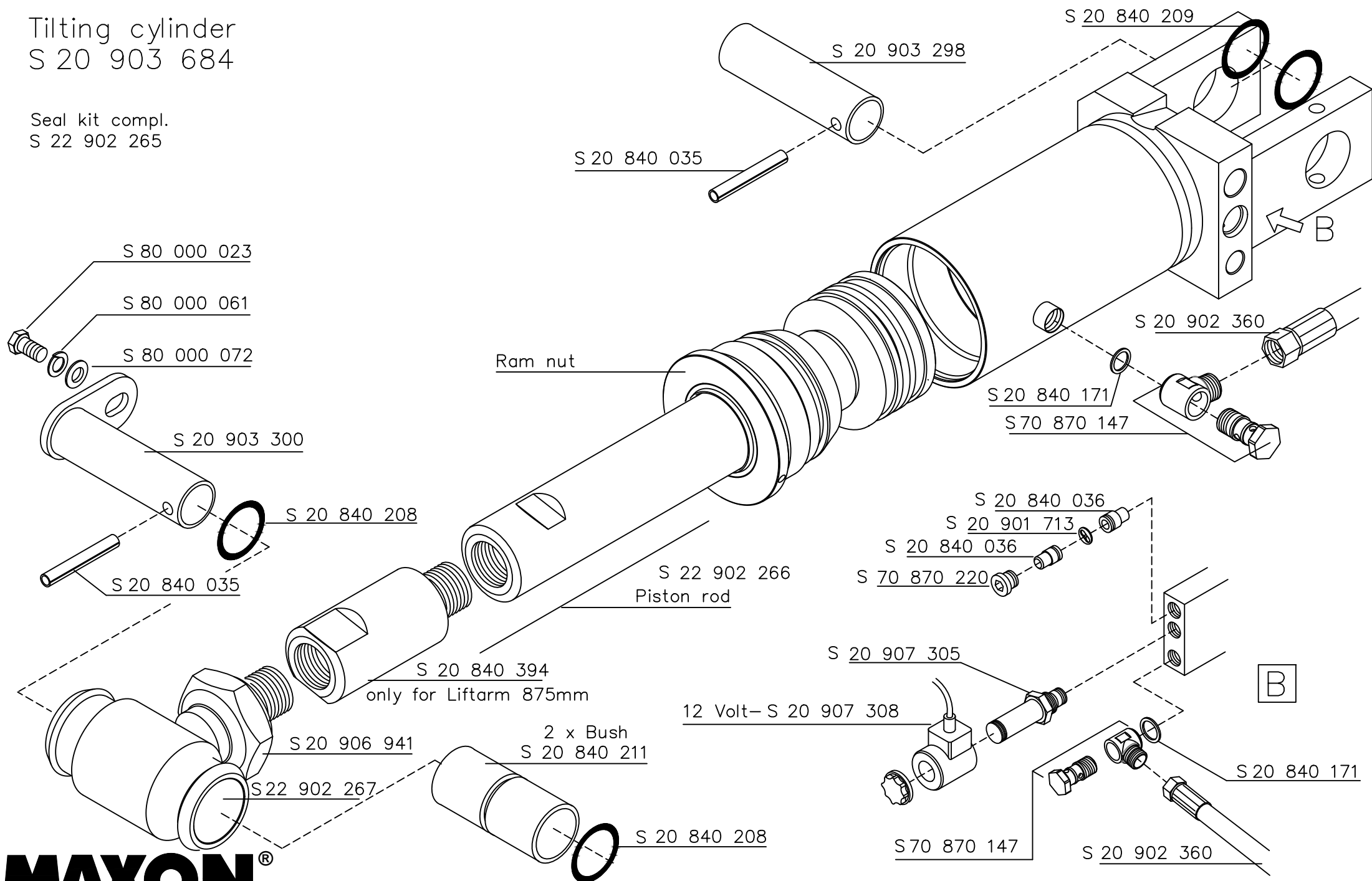
Sliding cylinder  
20 904 066

Seal kit compl.  
S 22 902 269



# Tilting cylinder S 20 903 684

Seal kit compl.  
S 22 902 265



# MAXON®

GPS 55 X1 / GPS 55 C X1

Lift cylinder  
S 20 905 489

S 20 840 035

S 20 903 298

S 20 840 209

S 20 900 641

S 20 868 474

S 20 906 938

S 20 907 836  
Pressure Switch

S 20 840 377

S 20 840 361

S 20 901 713

S 20 840 036

S 20 840 039

S 70 870 220

S 20 907 305  
incl.cup nut

S 22 905 901

Seal kit  
S 22 902 176

S 20 840 171

Bush  
S 20 840 253

cup nut

S 70 870 147

S 20 900 641  
29" 1/2

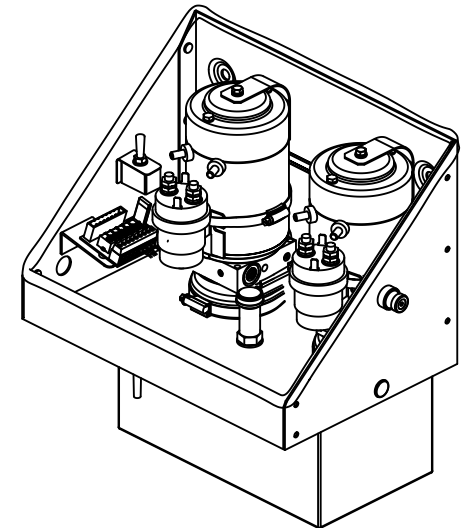
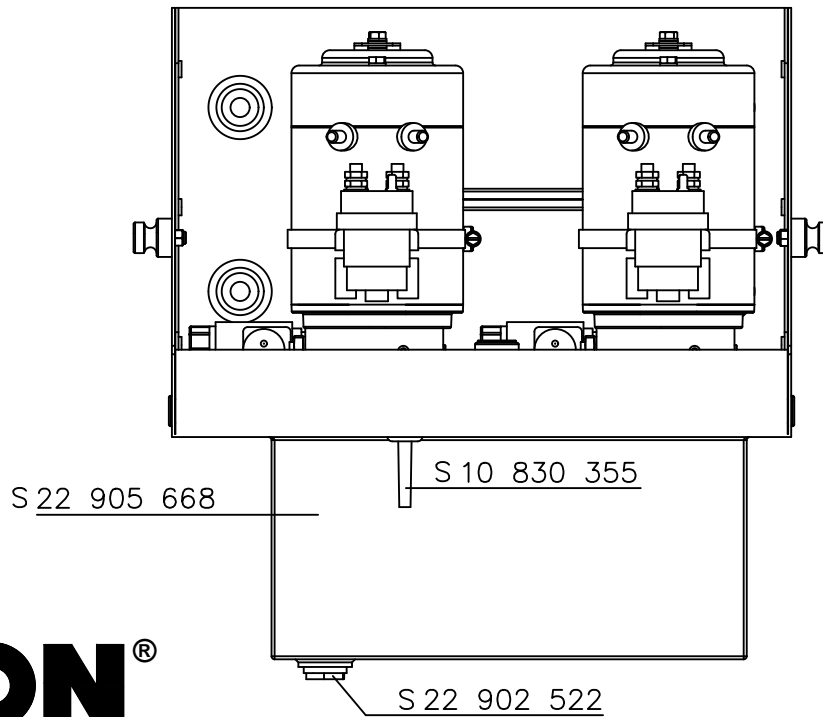
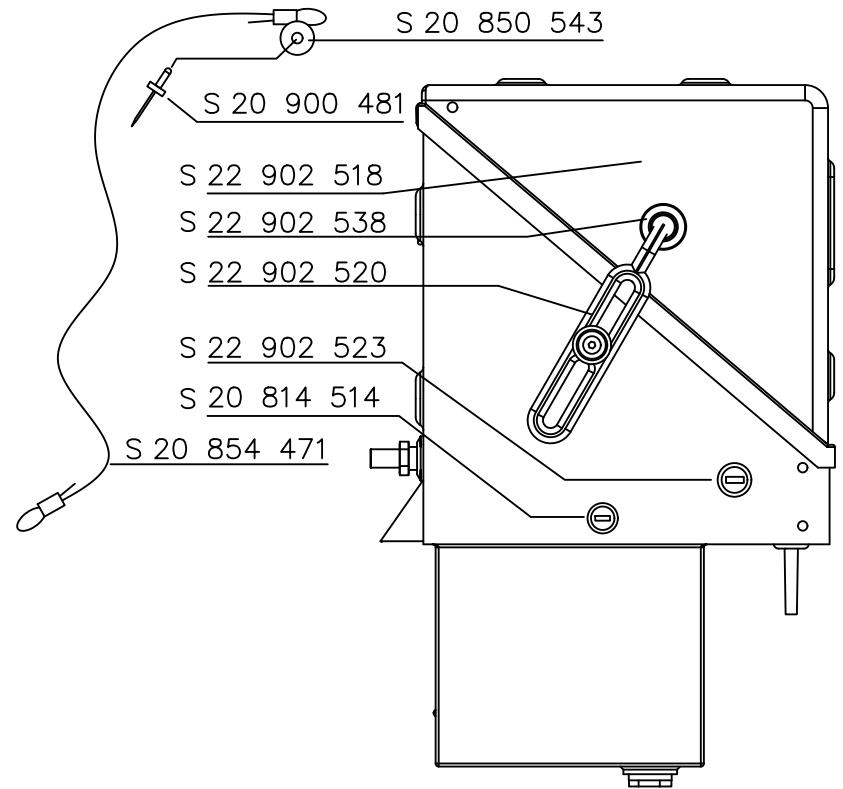
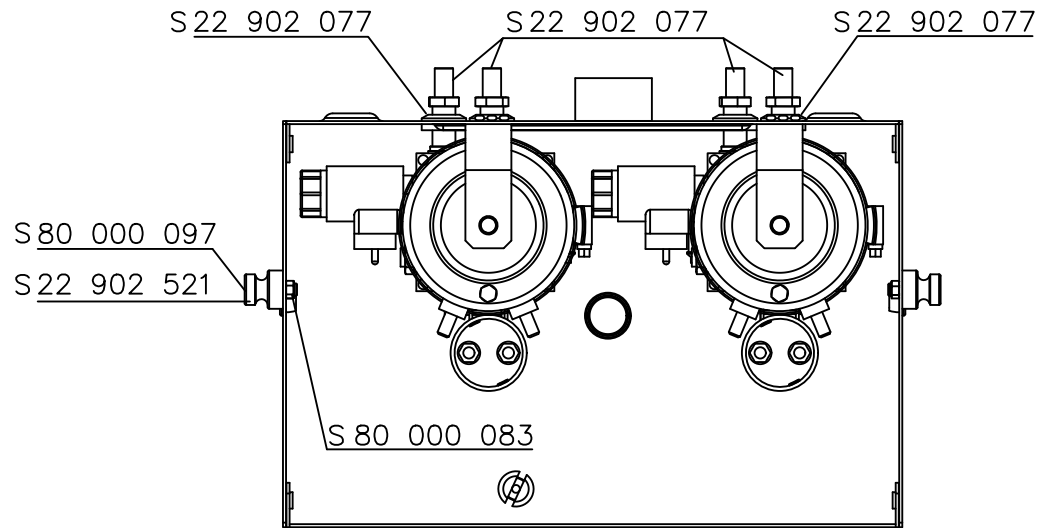
S 20 840 209

S 20 840 209

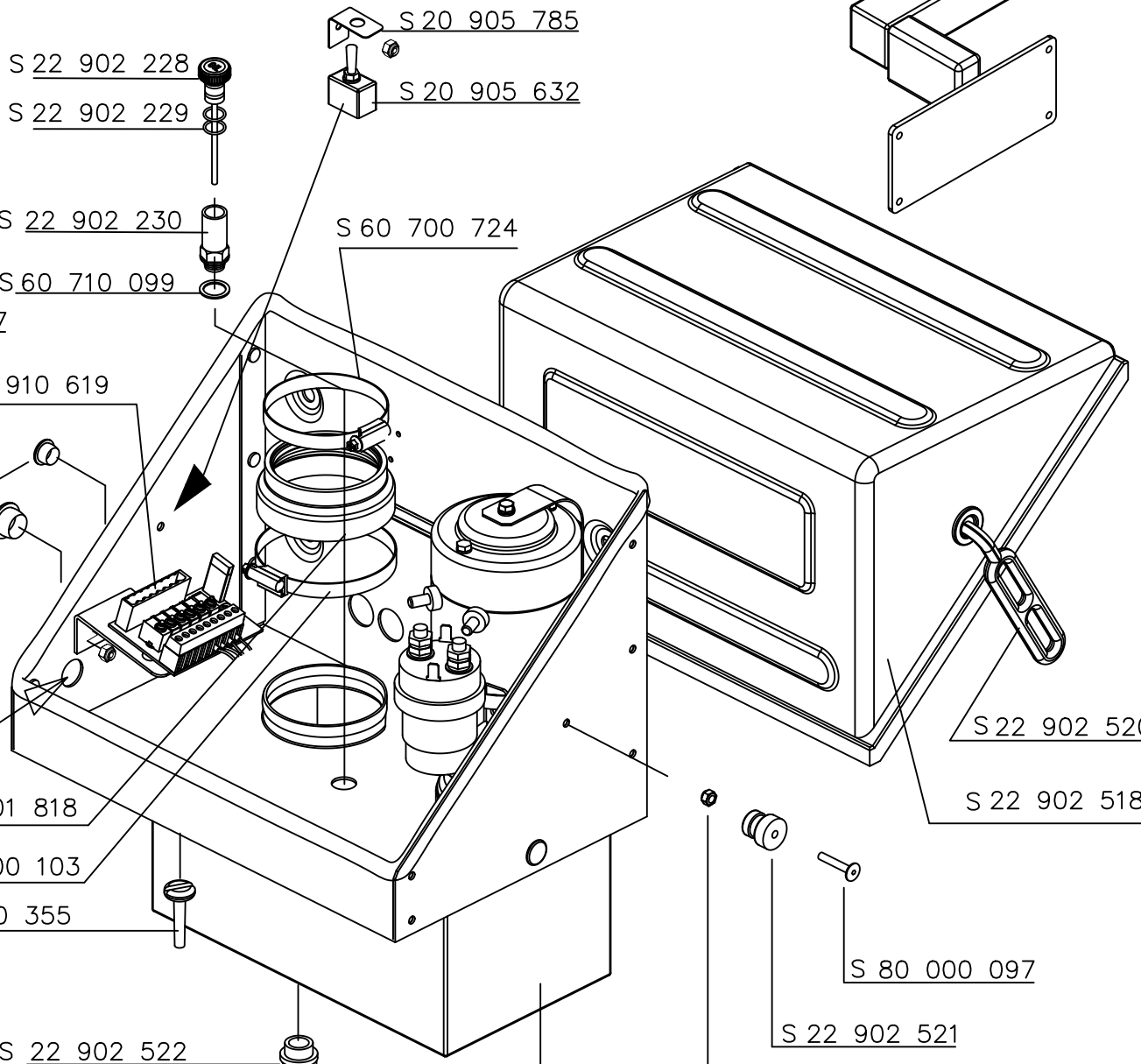
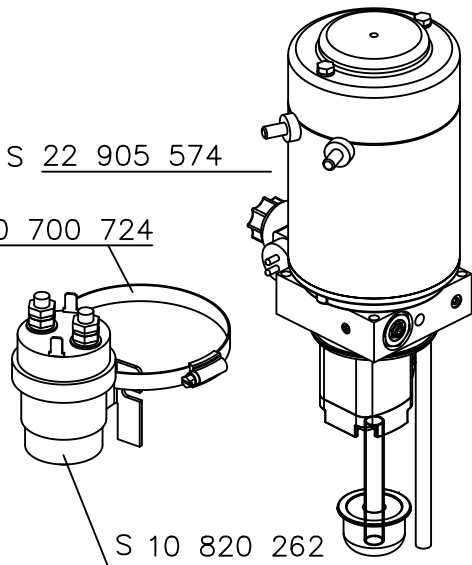
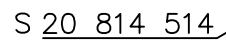
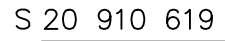
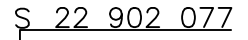
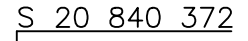
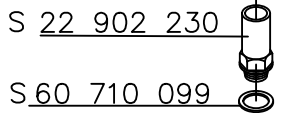
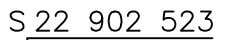
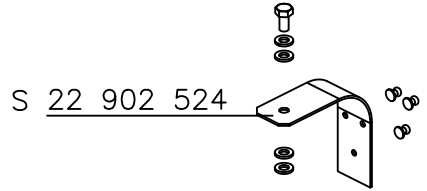
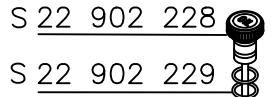
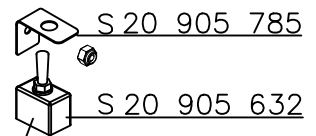
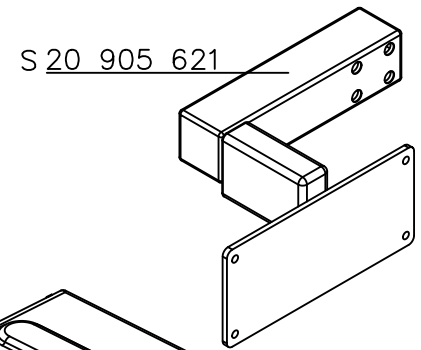
**MAXON**<sup>®</sup>

GPS 55 X1 / GPS 55 C X1

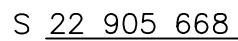
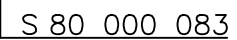
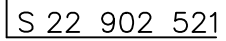
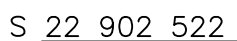
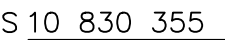
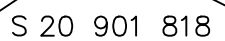
Powerpack 20 905 590 / 12 Volt



# Powerpack 20 905 590 / 12 Volt

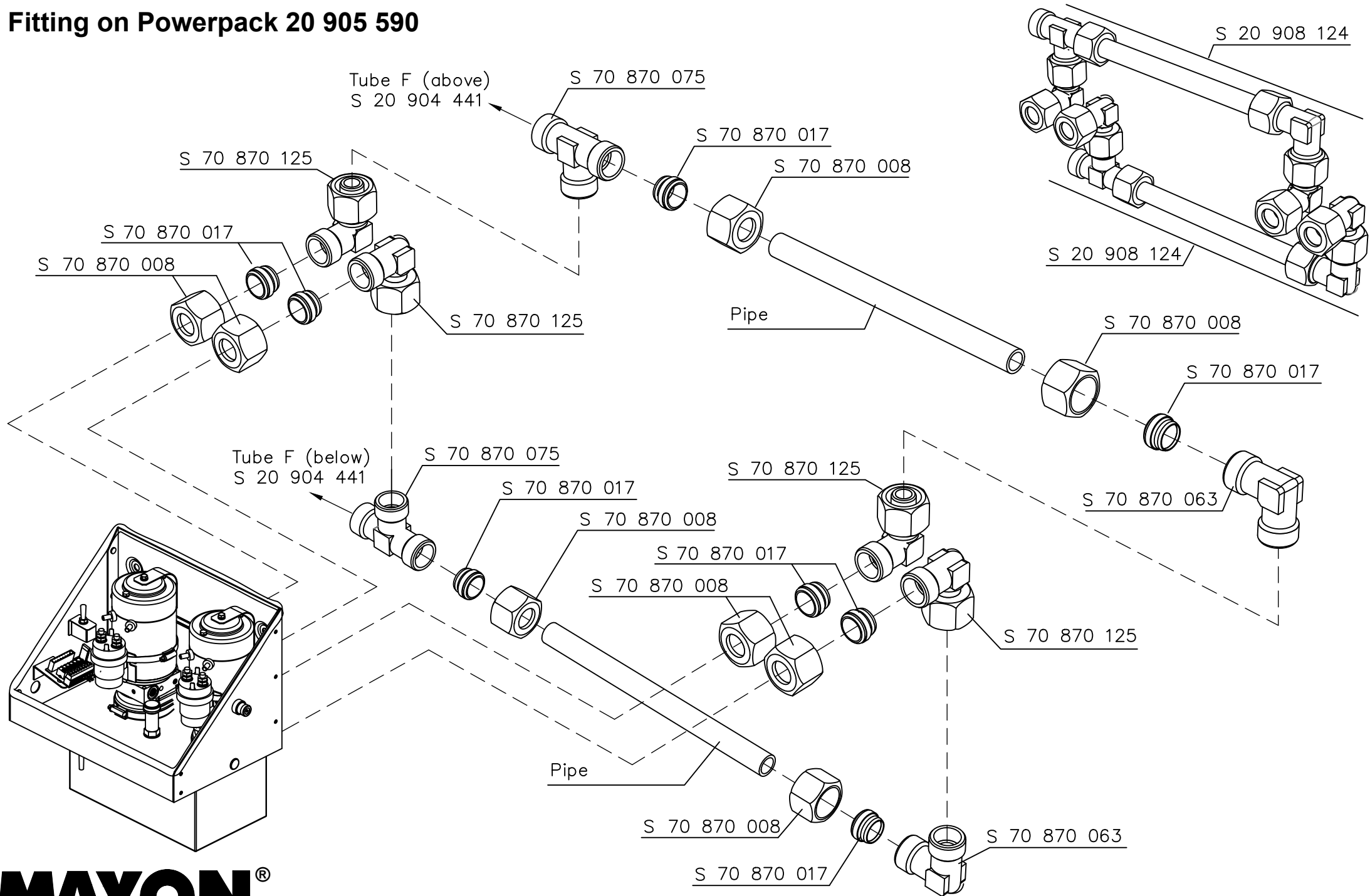


S 20 904 493  
old version  
only for USA



**MAXON**<sup>®</sup>  
GPS 55 X1 / GPS 55 C X1

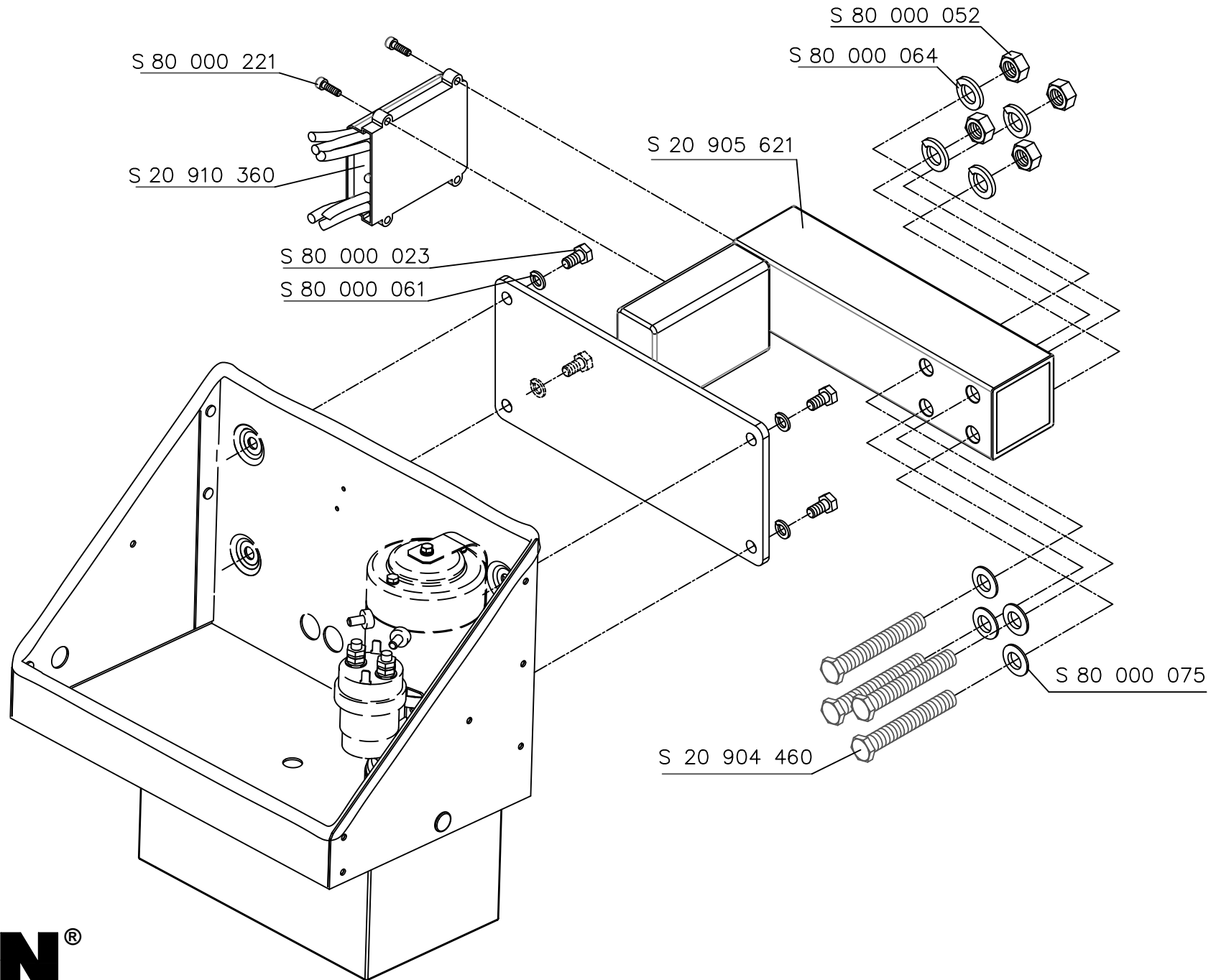
# Fitting on Powerpack 20 905 590



**MAXON**<sup>®</sup>  
GPS 55 X1 / GPS 55 C X1



# Holder for Powerpack 20 905 590

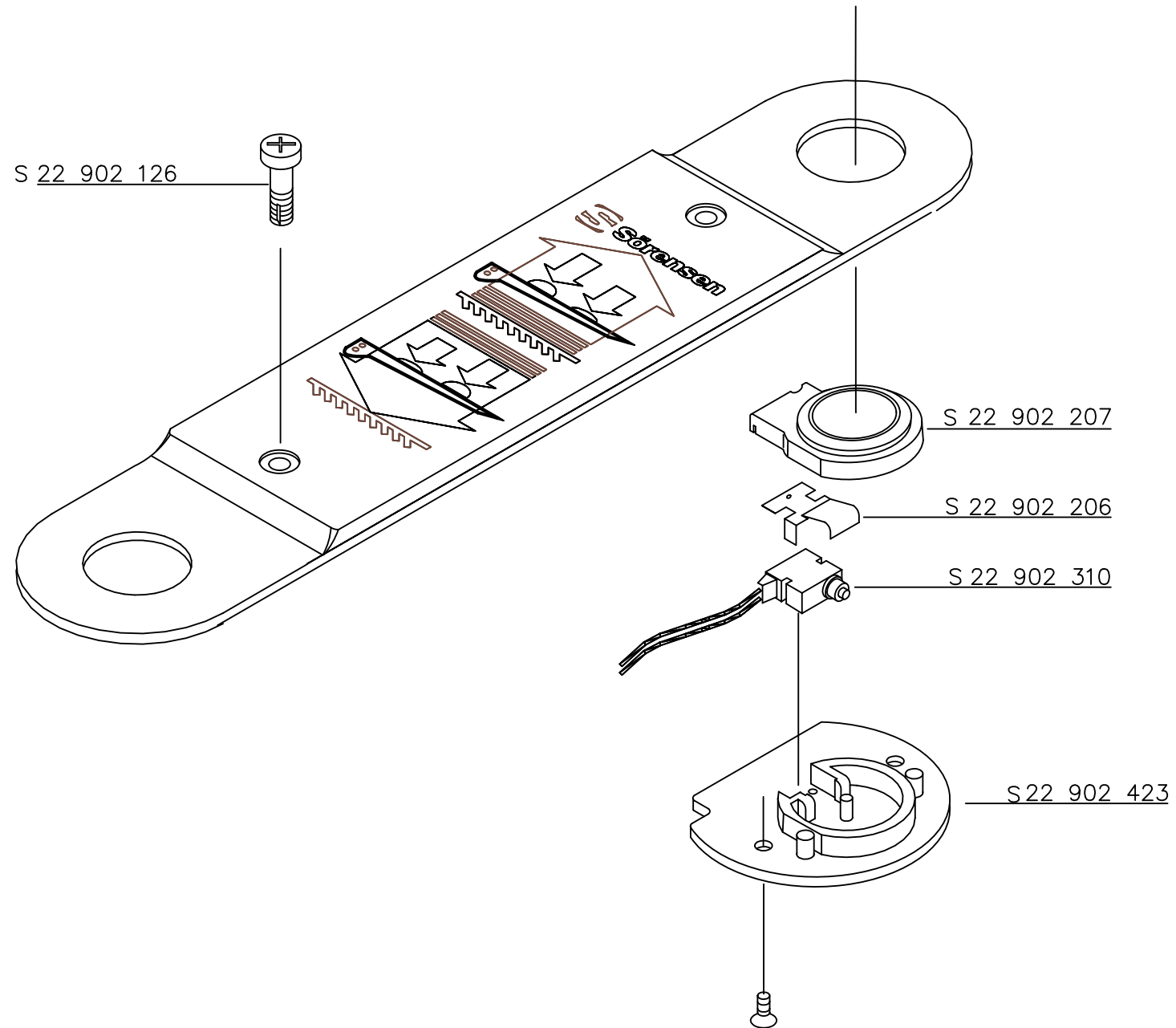


**MAXON**®

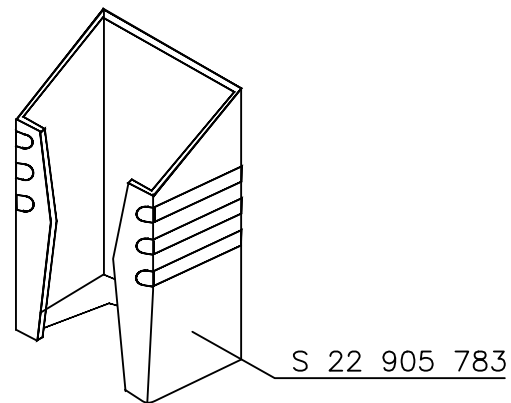
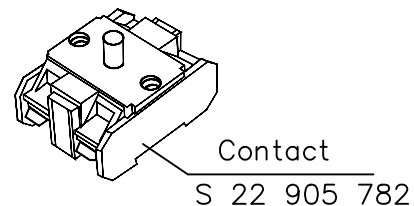
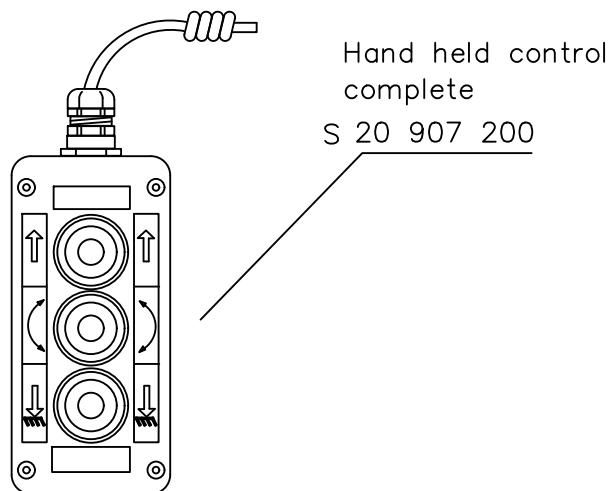
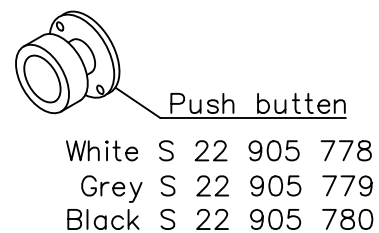
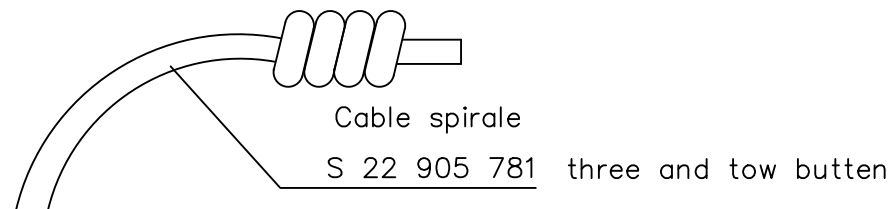
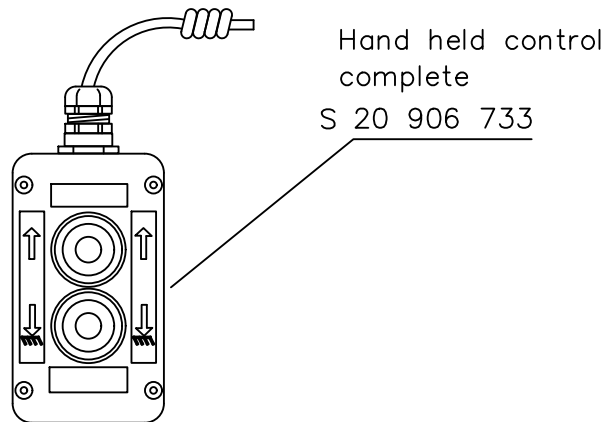
GPS 55 X1 / GPS 55 C X1

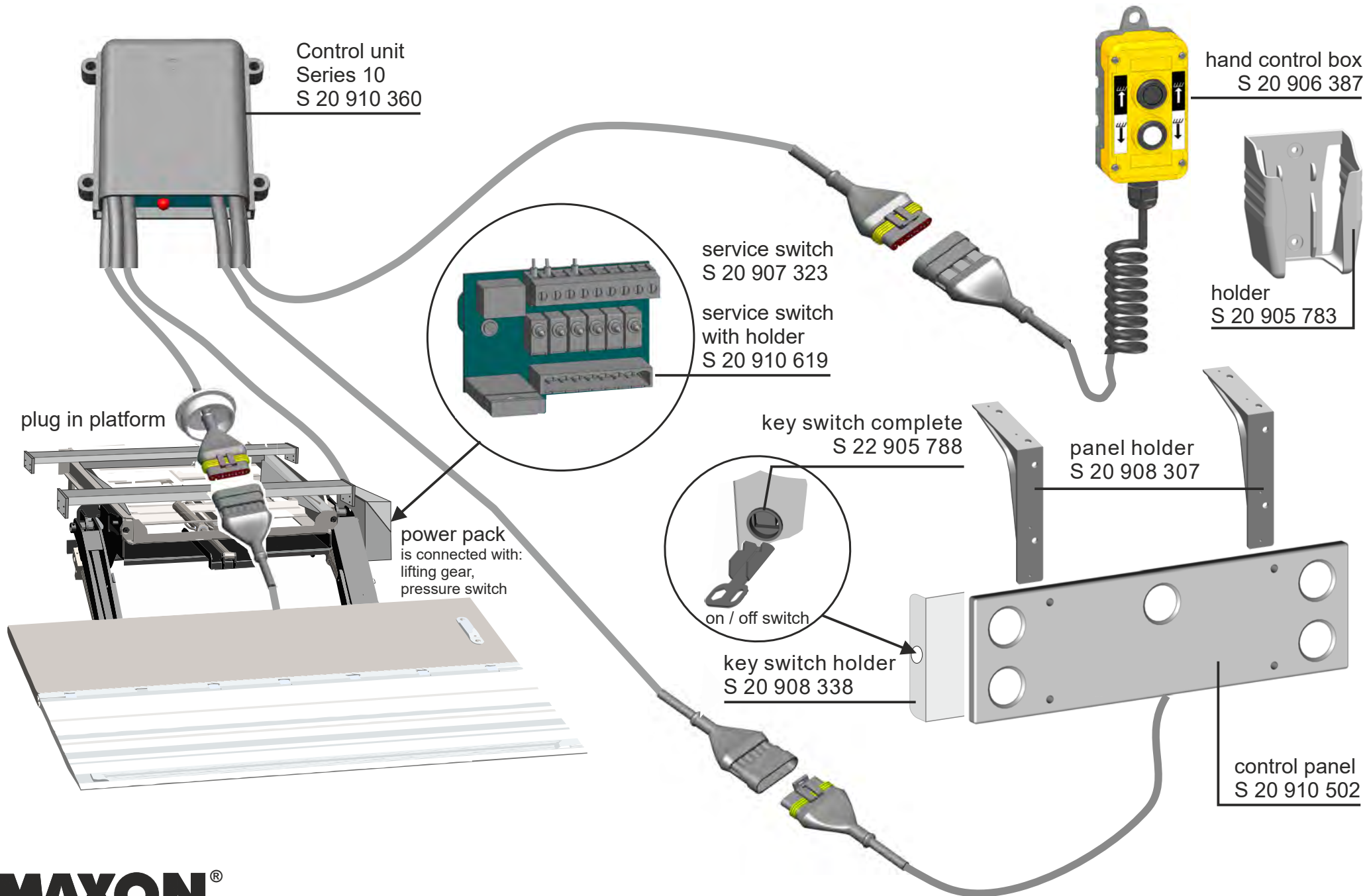
# Footcontrol

S 20 905 254



# Hand held control GPC – GPS – GPSS

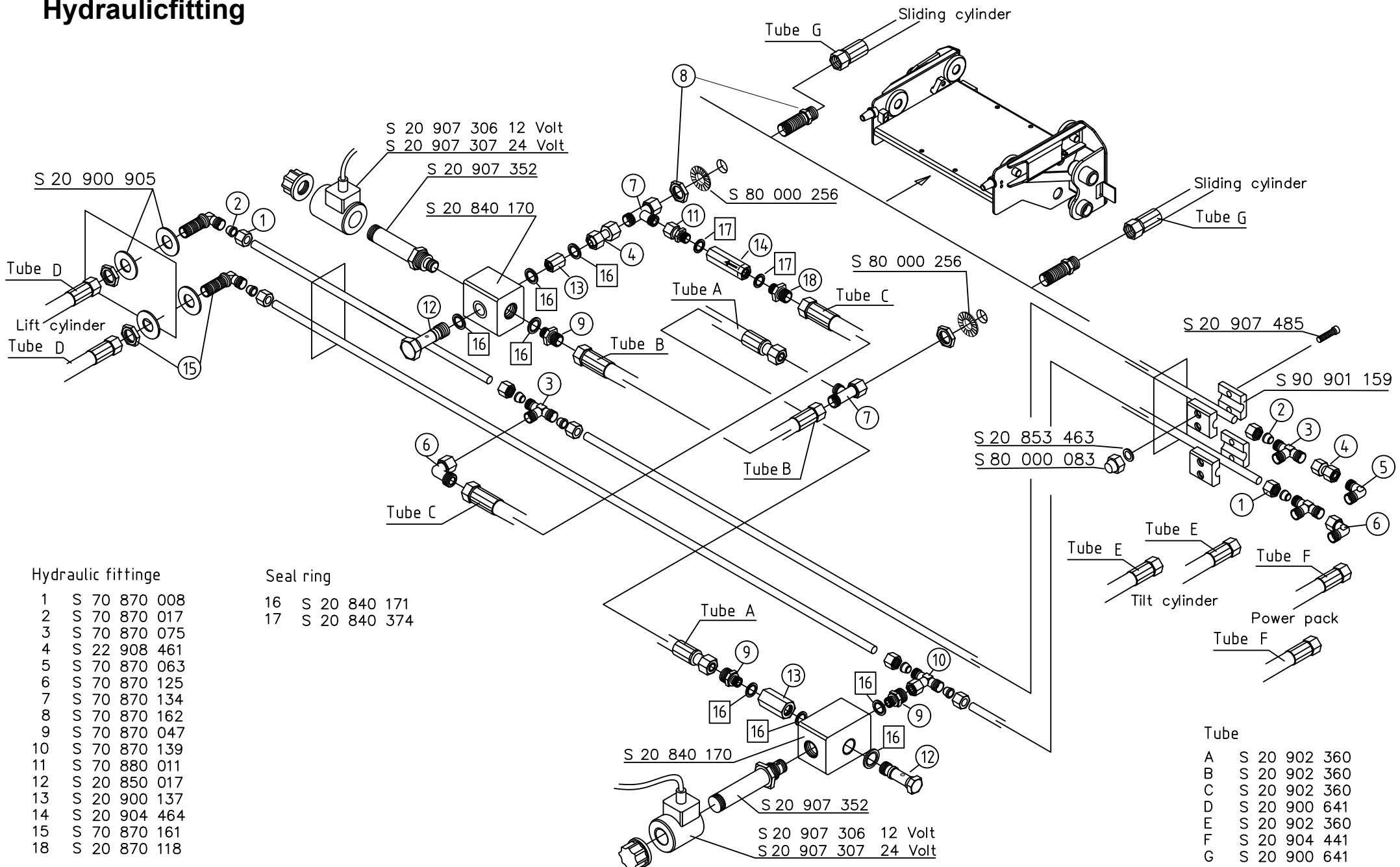




**MAXON**<sup>®</sup>

GPS 55 X1 / GPS 55 C X1

# Hydraulicfitting



## Hydraulic fittinge

- 1 S 70 870 008
- 2 S 70 870 017
- 3 S 70 870 075
- 4 S 22 908 461
- 5 S 70 870 063
- 6 S 70 870 125
- 7 S 70 870 134
- 8 S 70 870 162
- 9 S 70 870 047
- 10 S 70 870 139
- 11 S 70 880 011
- 12 S 20 850 017
- 13 S 20 900 137
- 14 S 20 904 464
- 15 S 70 870 161
- 18 S 20 870 118

## Seal ring

- 16 S 20 840 171
- 17 S 20 840 374

## Tube

- A S 20 902 360
- B S 20 902 360
- C S 20 902 360
- D S 20 900 641
- E S 20 902 360
- F S 20 904 441
- G S 20 900 641

# MAXON®

GPS 55 - X1 / GPS 55 C - X1