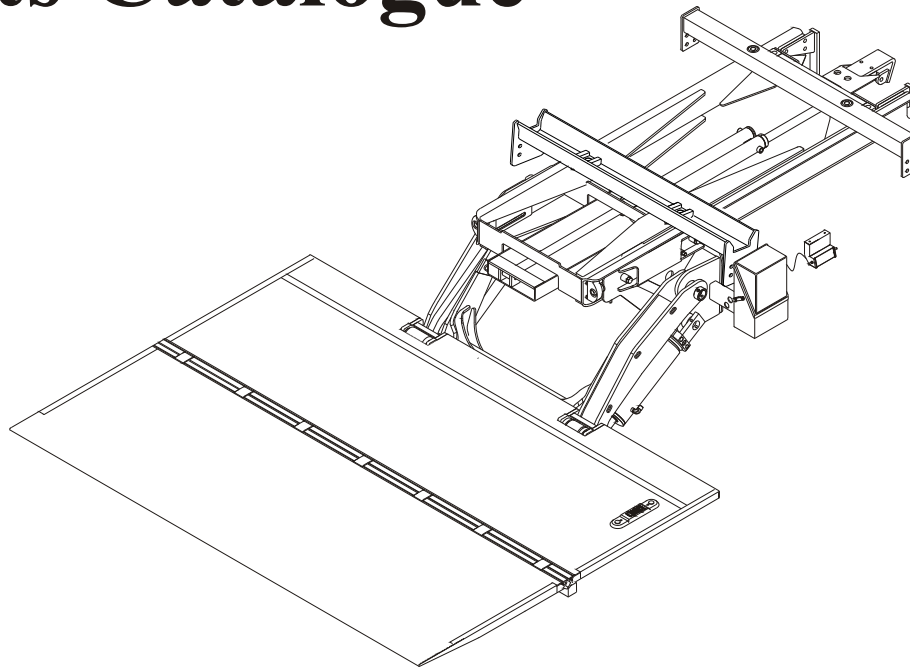


MAXON[®]

Spare Parts Catalogue



MAXON[®]
Lift CORP.

11921 Slauson Avenue.
Santa Fe Springs, CA 90670
(800) 227 - 4116

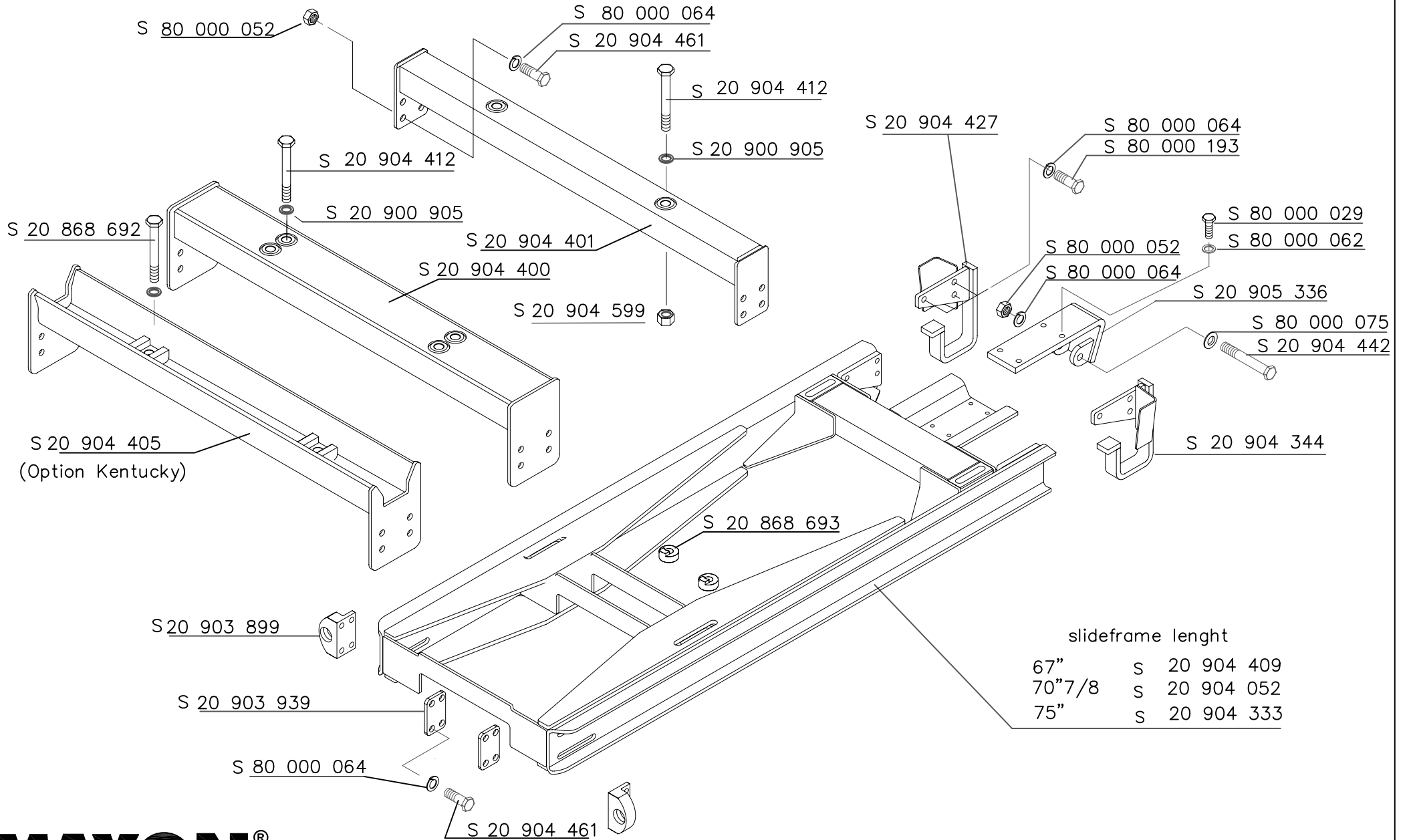
Slidelift

Series

GPS 44 X1

X1 *THAT'S IT!*
TECHNOLOGY

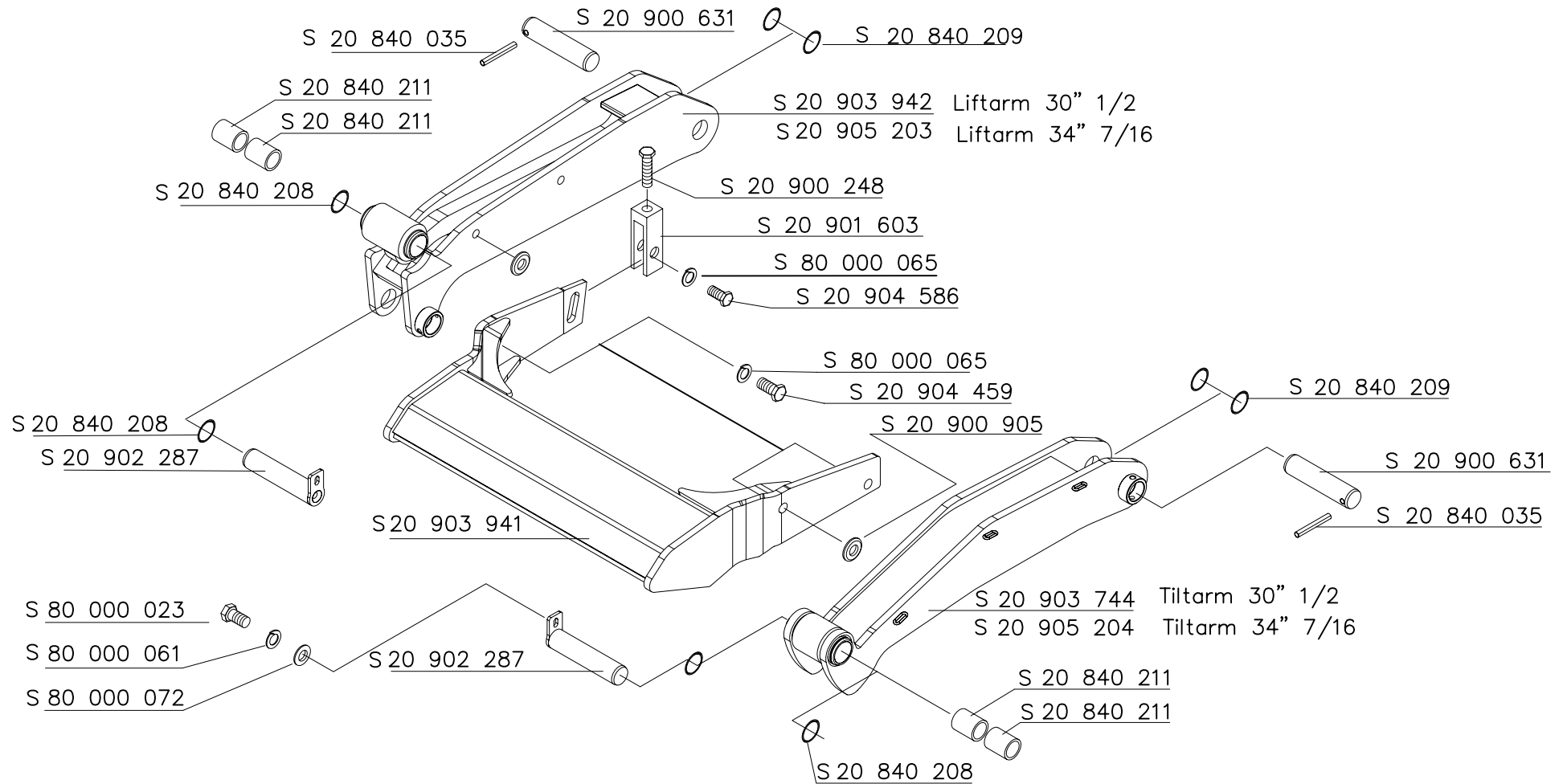
Document no. S 20 905 999
© Sörensen Hydraulik GmbH
Print date 30.11.2009



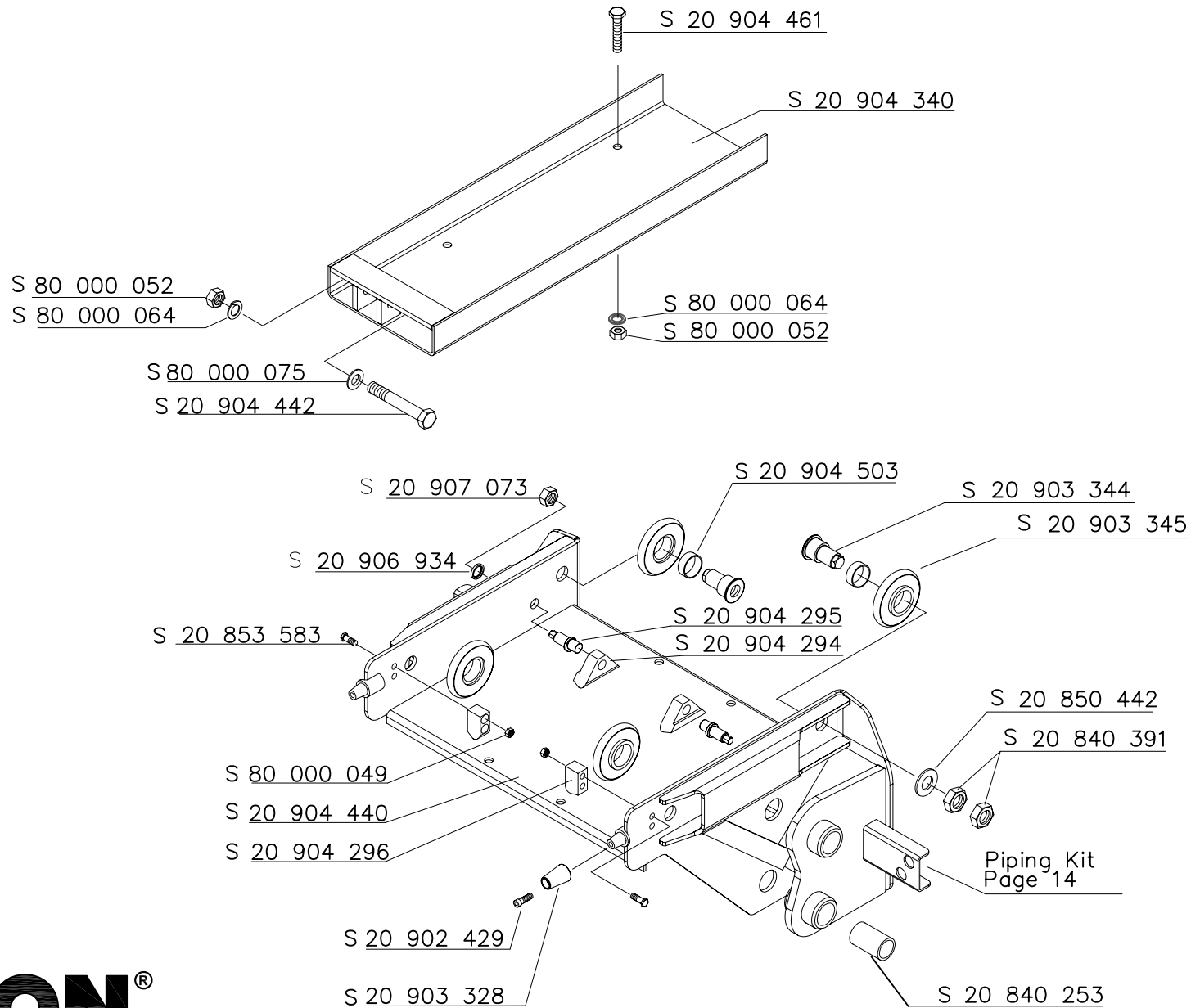
slideframe length

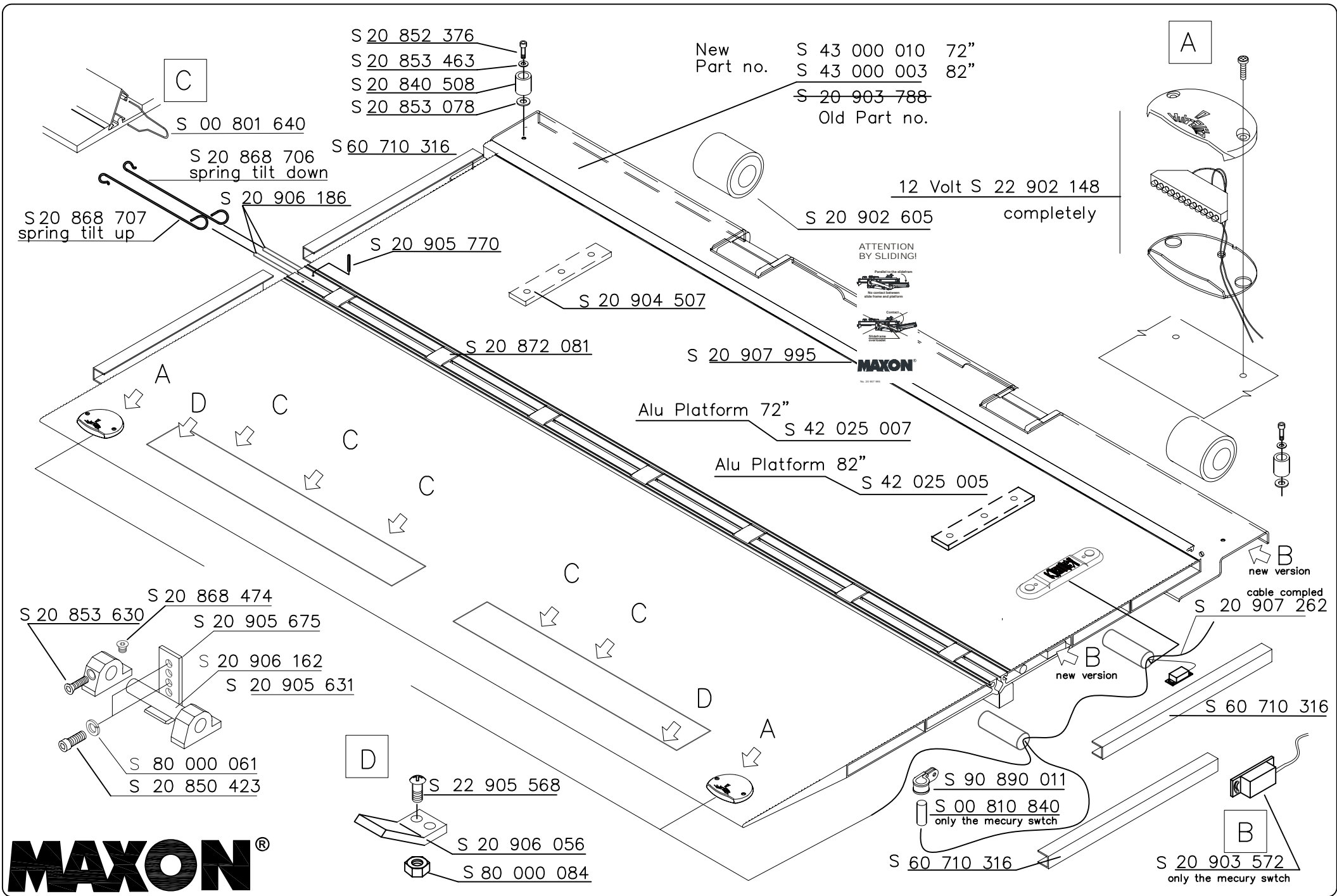
67"	S 20 904 409
70"7/8	S 20 904 052
75"	S 20 904 333

Lifting mechanism



Wagon





S 20 852 376
 S 20 853 463
 S 20 840 508
 S 20 853 078

New Part no. S 43 000 010 72"
 S 43 000 003 82"
 Old Part no. ~~S 20 903 788~~

C

A

S 00 801 640

S 20 868 706
 spring tilt down

S 60 710 316

S 20 906 186

S 20 868 707
 spring tilt up

S 20 905 770

12 Volt S 22 902 148
 completely

S 20 902 605

ATTENTION
 BY SLIDING!



S 20 904 507

S 20 872 081

S 20 907 995

MAXON
 No. 20 907 995

Alu Platform 72"
 S 42 025 007

Alu Platform 82"
 S 42 025 005

A

D

C

C

C

C

C

D

C

D

A

B
 new version

cable compl. S 20 907 262

B
 new version

S 60 710 316

S 20 853 630

S 20 868 474

S 20 905 675

S 20 906 162

S 20 905 631

S 80 000 061

S 20 850 423

D

S 22 905 568

S 20 906 056

S 80 000 084

S 90 890 011

S 00 810 840
 only the mercury switch

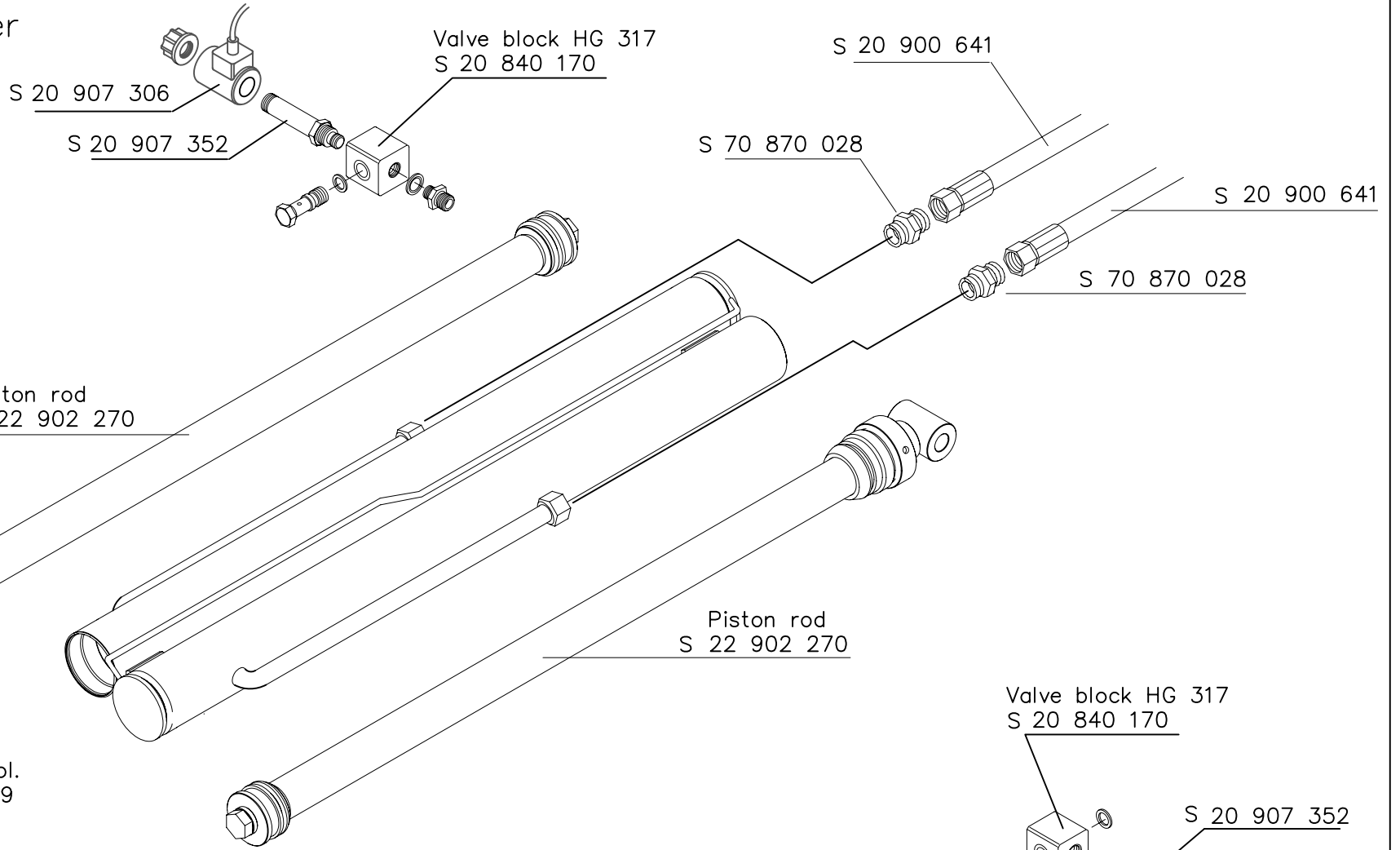
S 60 710 316

B

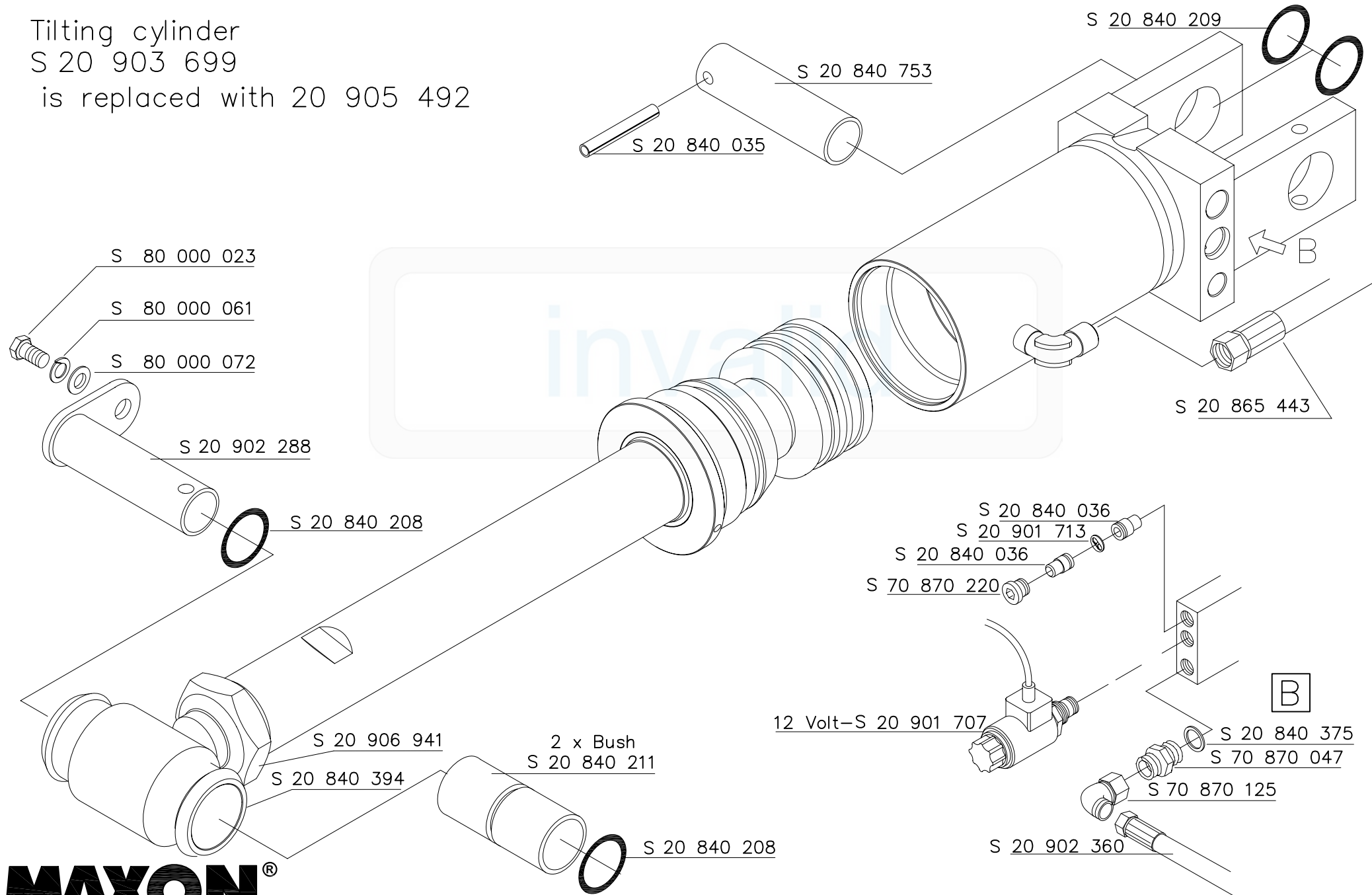
S 20 903 572
 only the mercury switch

MAXON[®]
 GPS 44 X1

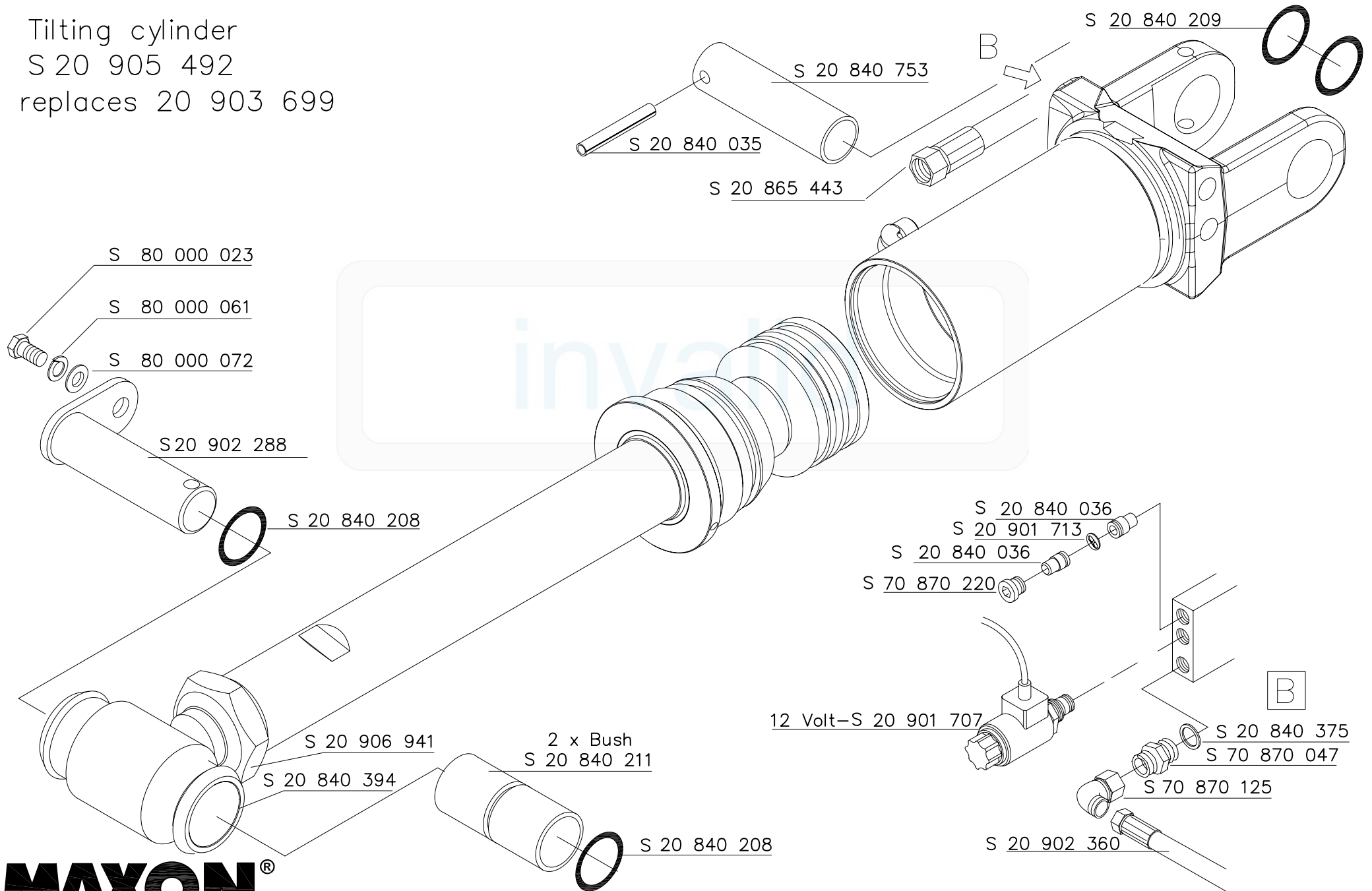
Sliding cylinder
20 904 066



Tilting cylinder
 S 20 903 699
 is replaced with 20 905 492

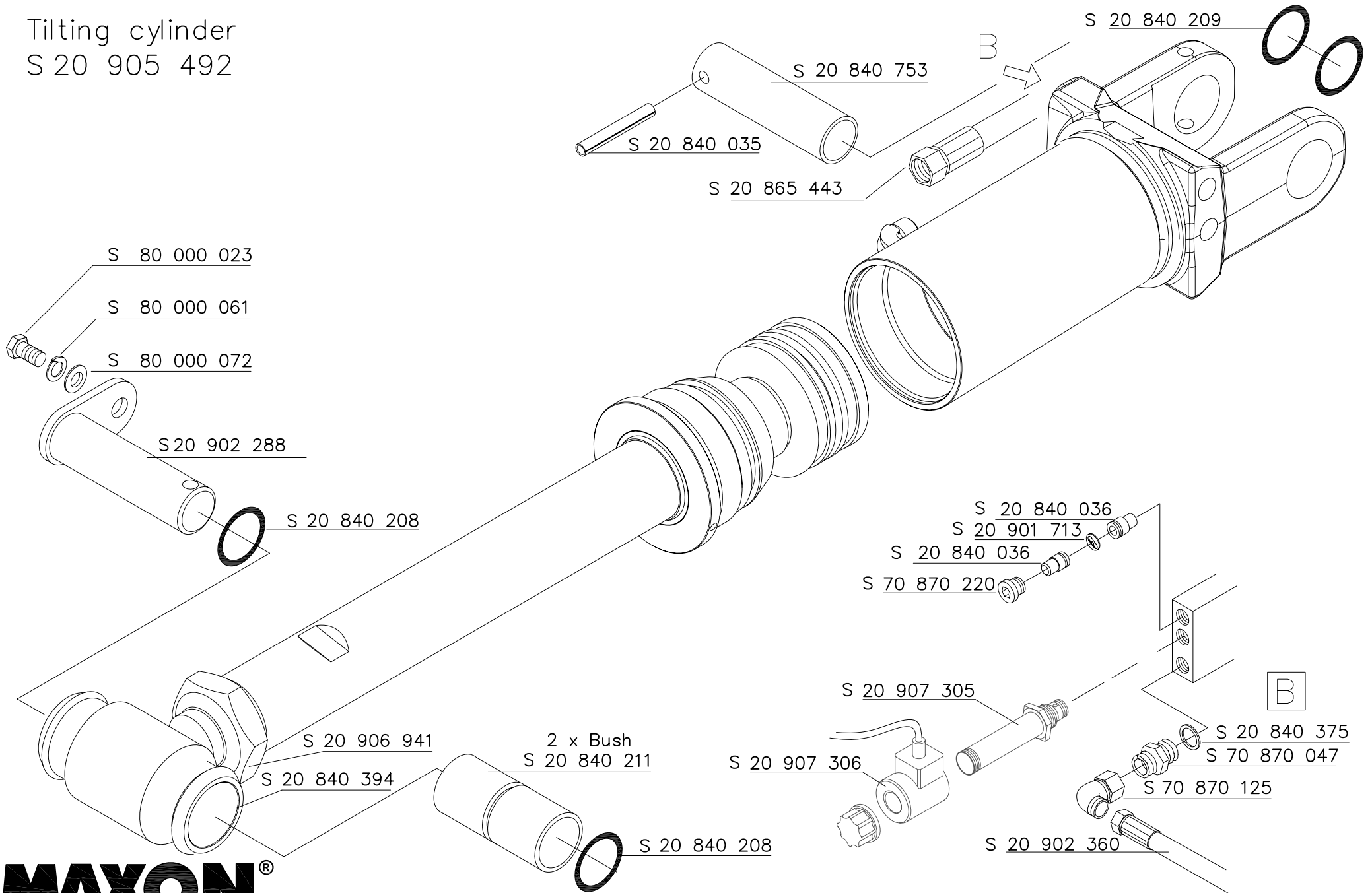


Tilting cylinder
 S 20 905 492
 replaces 20 903 699

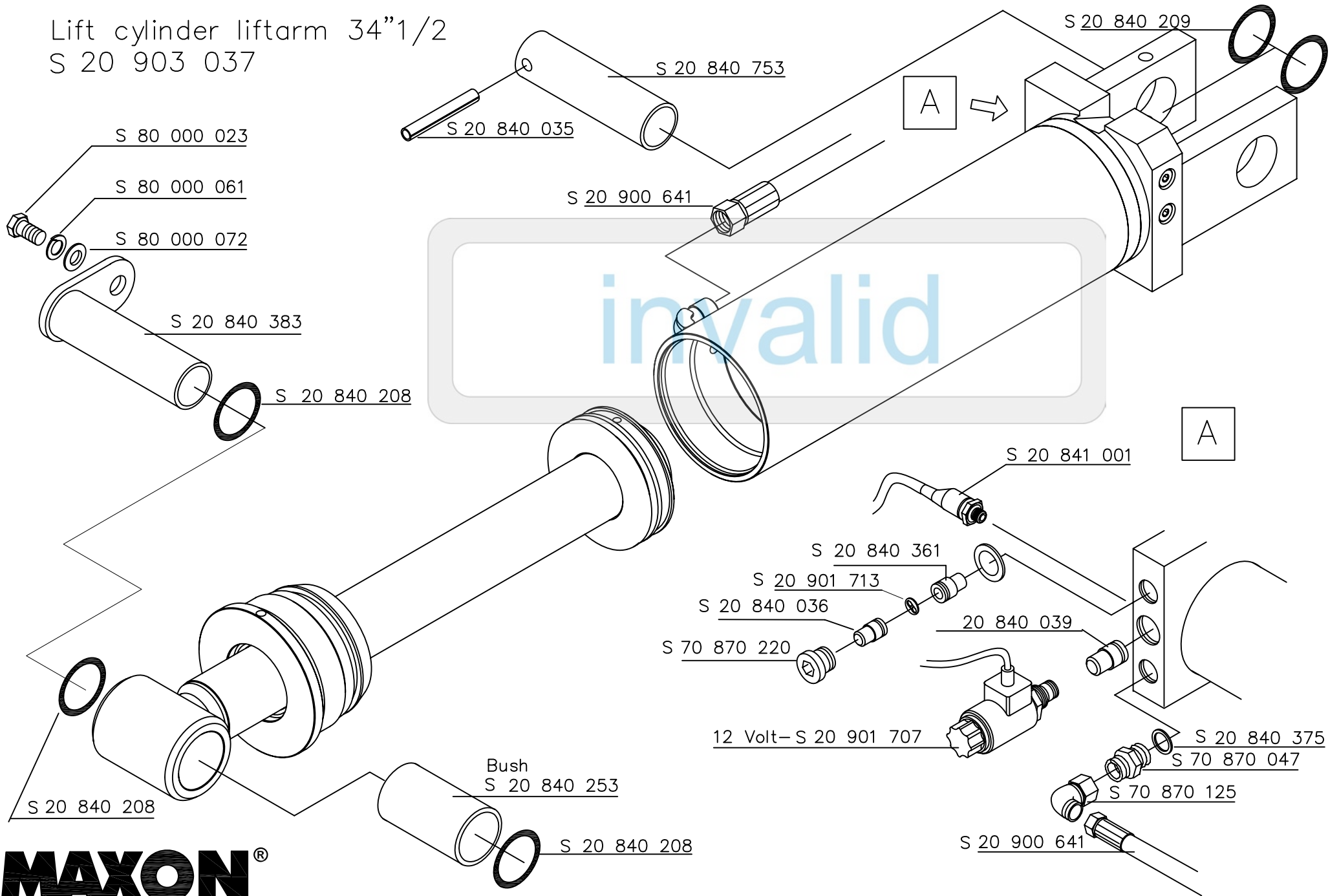


MAXON[®]
 GPS 44 X1

Tilting cylinder
S 20 905 492



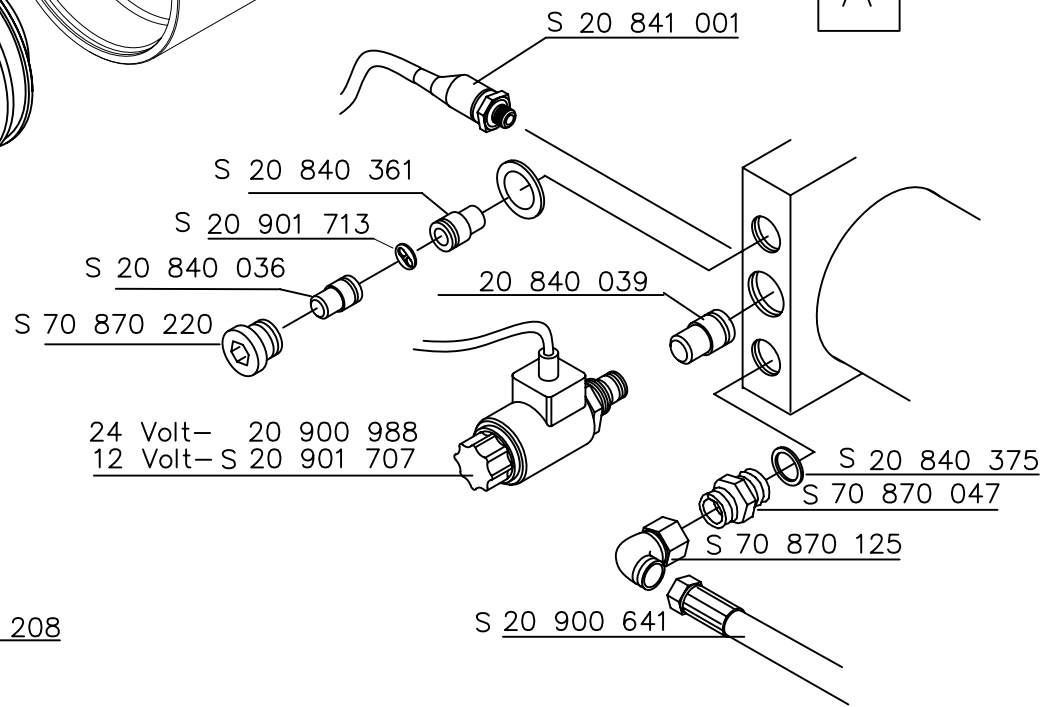
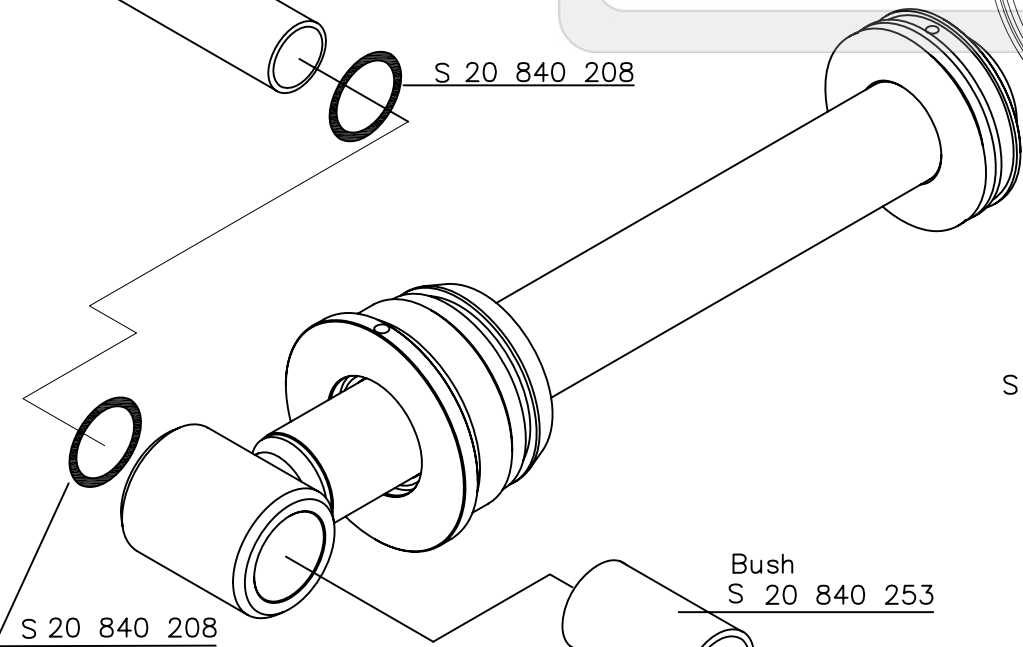
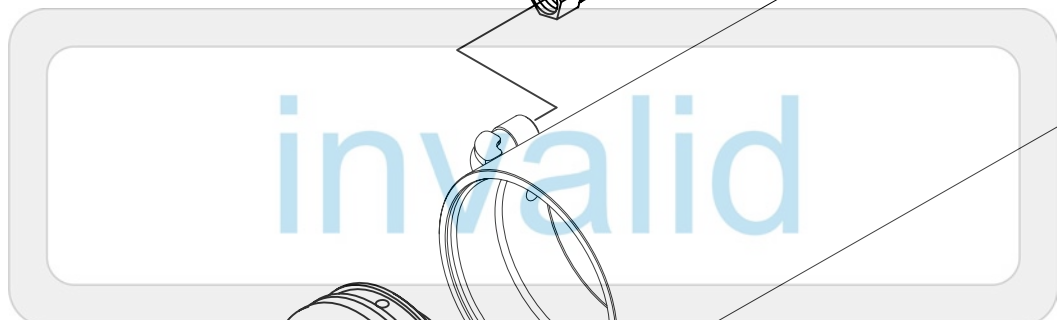
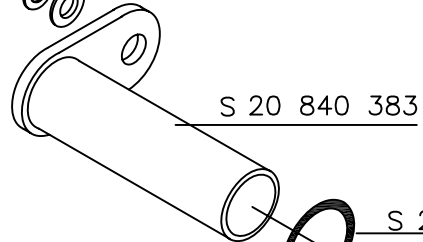
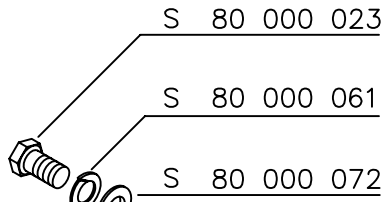
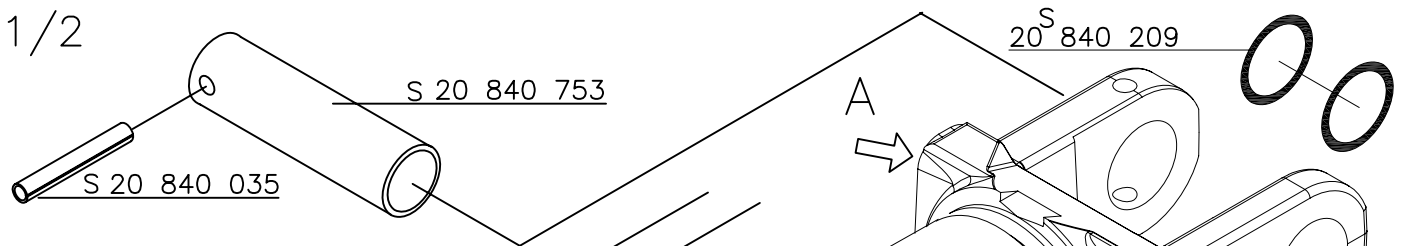
Lift cylinder liftarm 34"1/2
 S 20 903 037



Lift cylinder liftarm 34"1/2

S 20 905 489

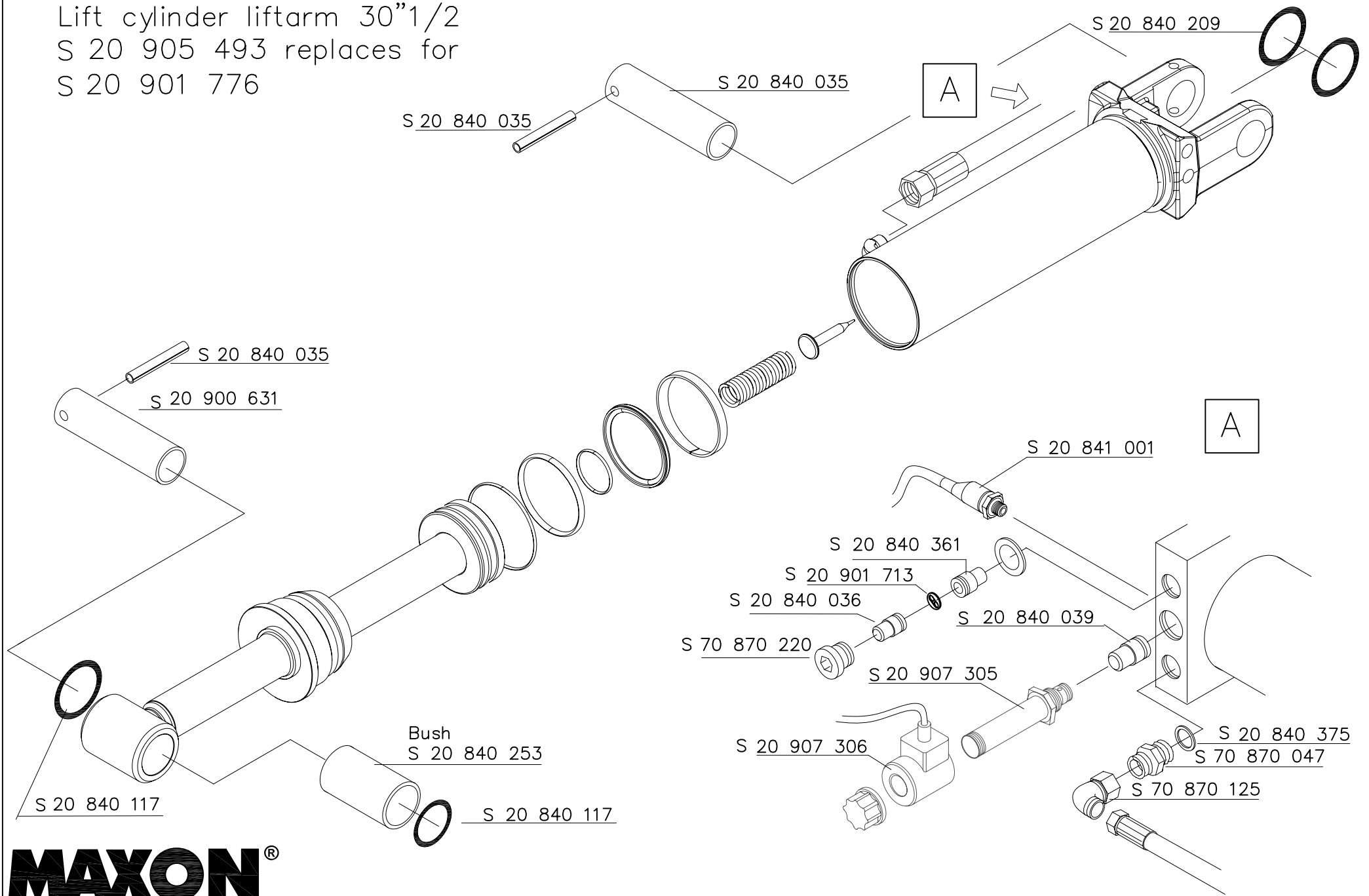
S 20 903 037



MAXON®

GPS 44 X1

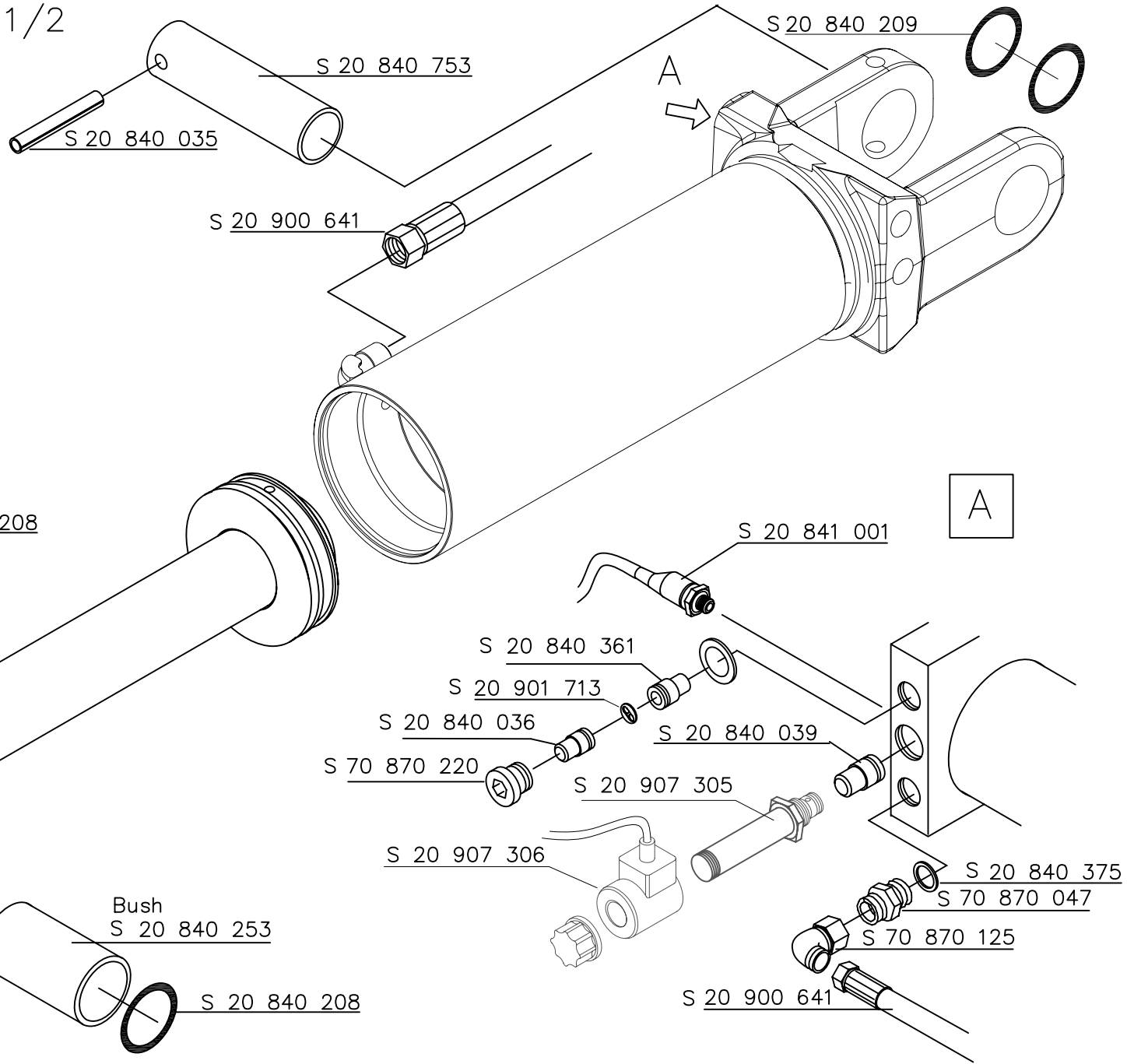
Lift cylinder liftarm 30"1/2
 S 20 905 493 replaces for
 S 20 901 776



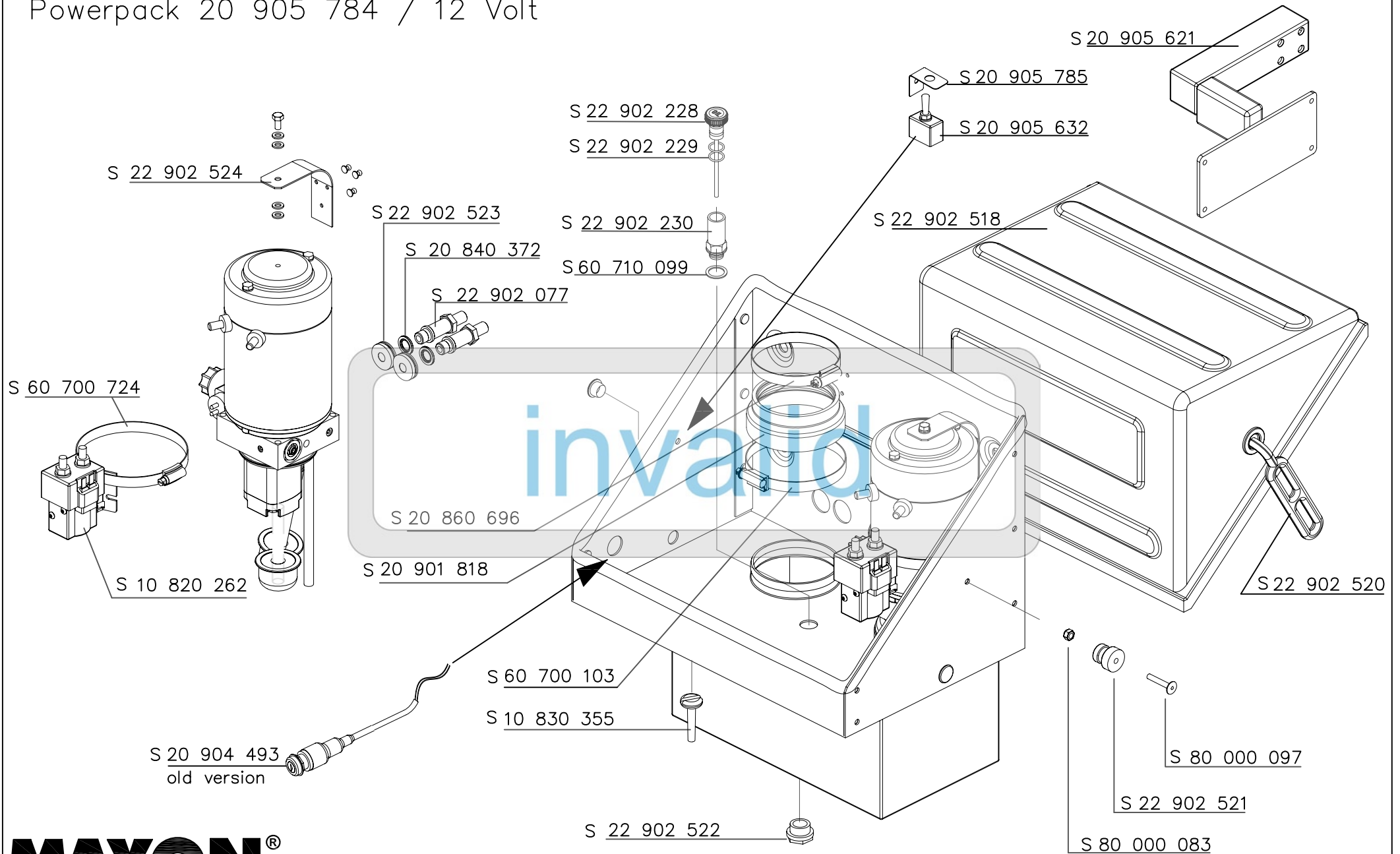
Lift cylinder liftarm 34"1/2

S 20 905 489

S 20 903 037

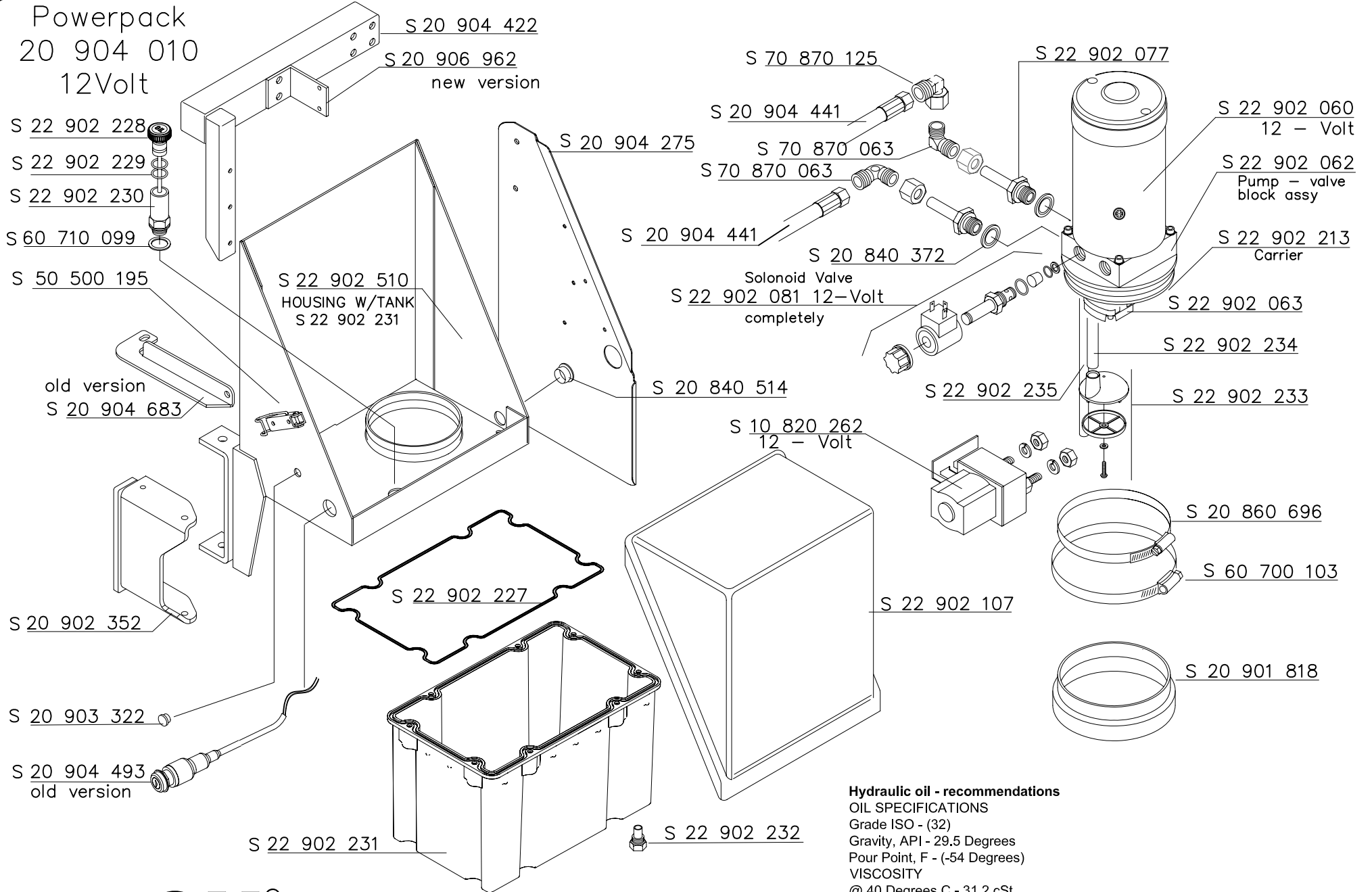


Powerpack 20 905 784 / 12 Volt



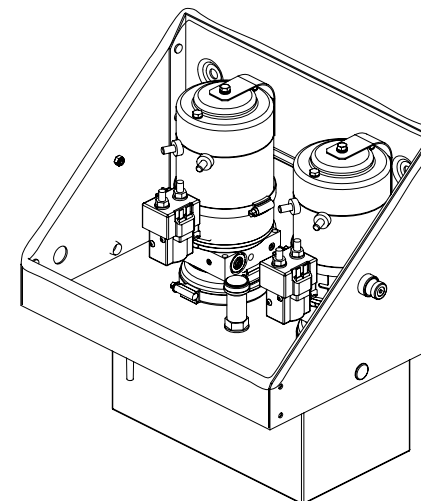
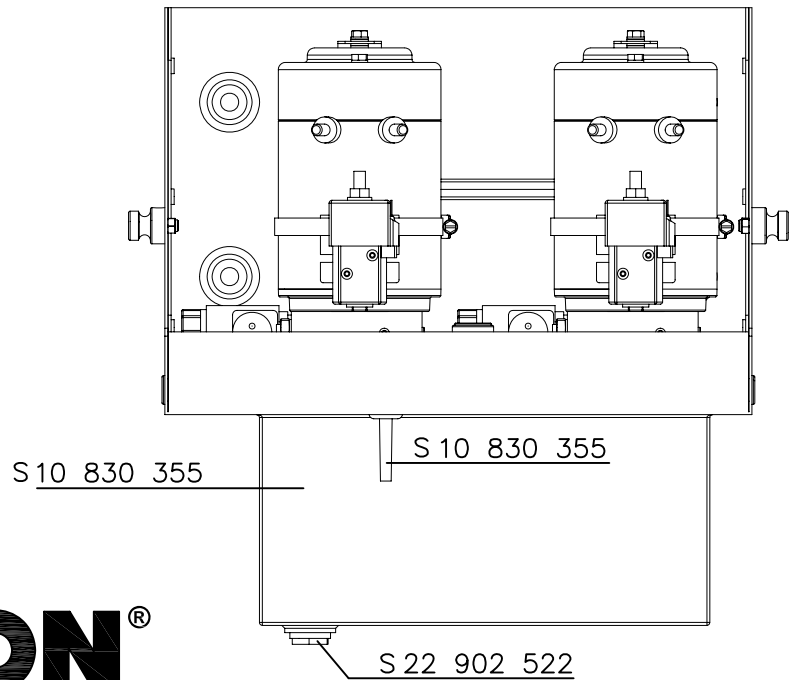
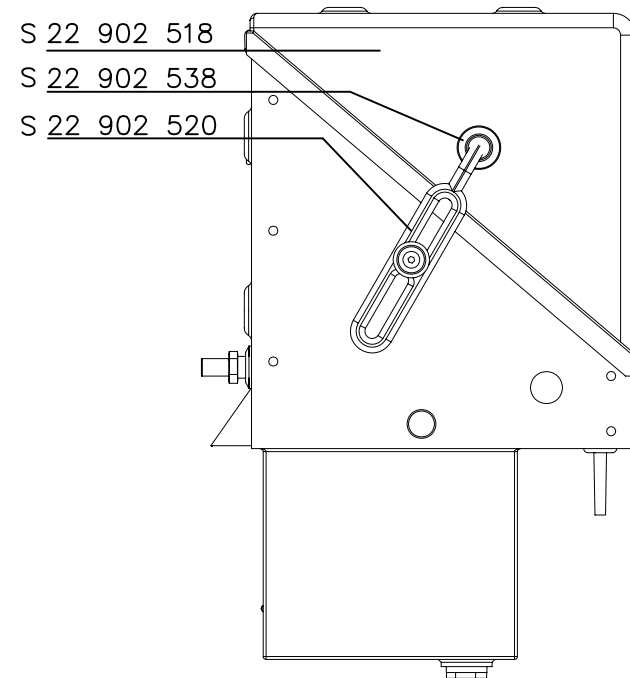
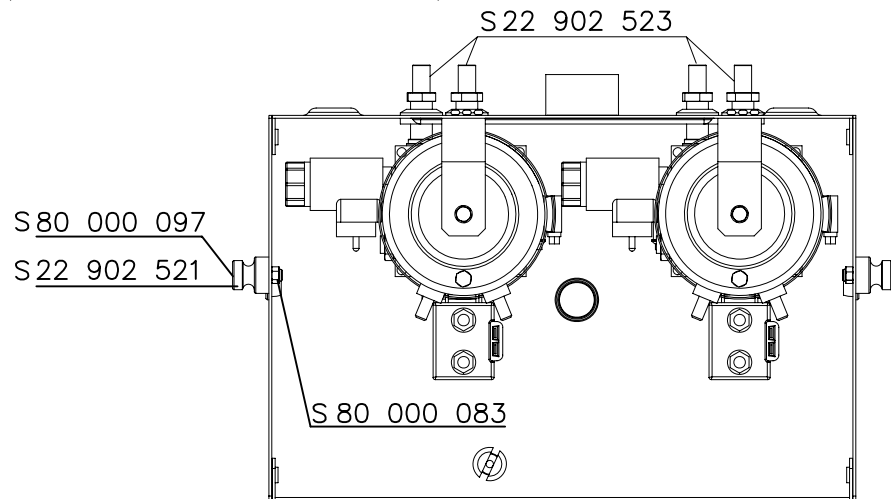
MAXON[®]
GPS 44 X1

Powerpack
20 904 010
12Volt

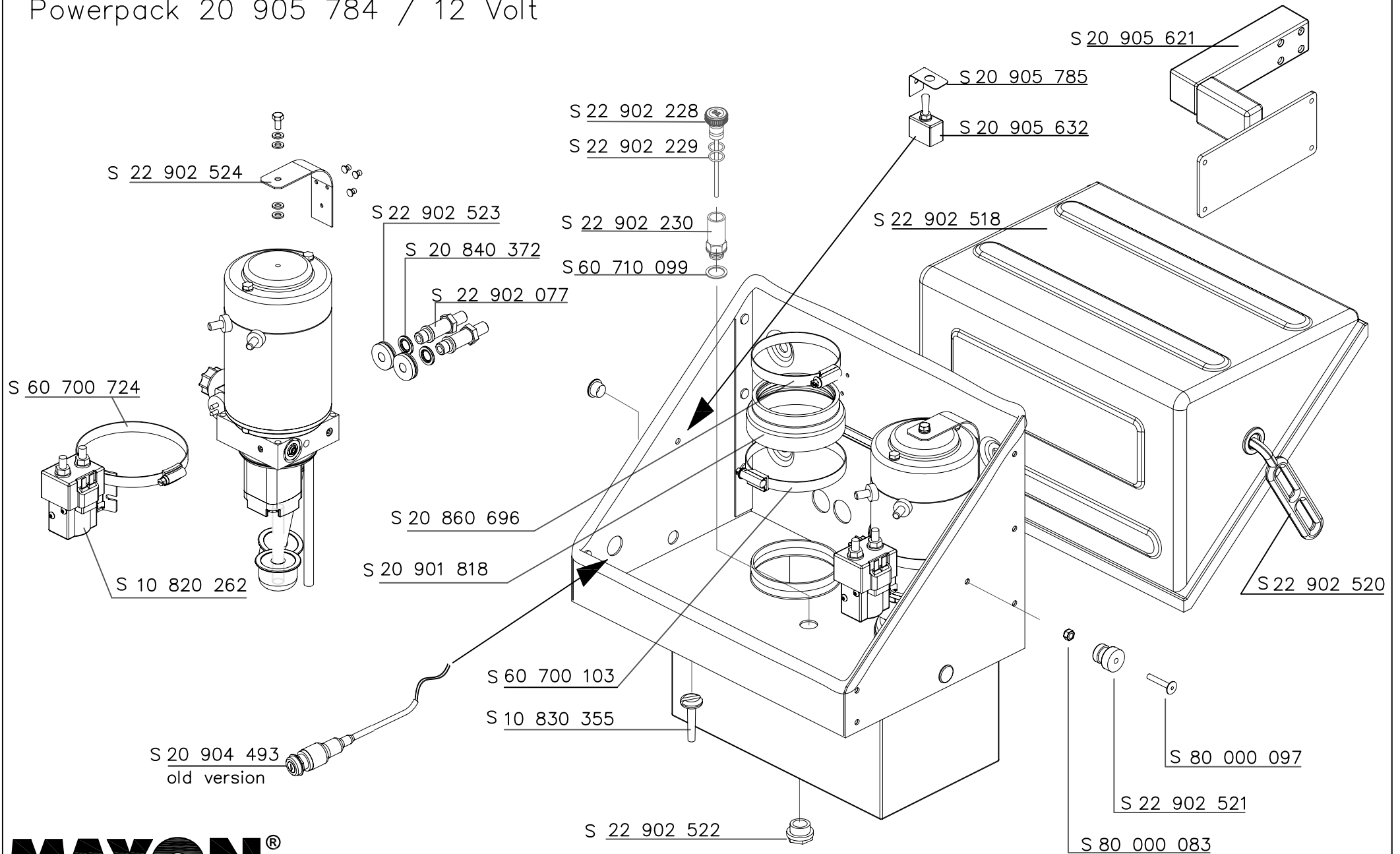


Hydraulic oil - recommendations
 OIL SPECIFICATIONS
 Grade ISO - (32)
 Gravity, API - 29.5 Degrees
 Pour Point, F - (-54 Degrees)
 VISCOSITY
 @ 40 Degrees C - 31.2 cSt
 @ 100 Degrees C - 6.2 cSt
 VISCOSITY INDEX - 154 VI
 Flash Point, F - 325 Degrees

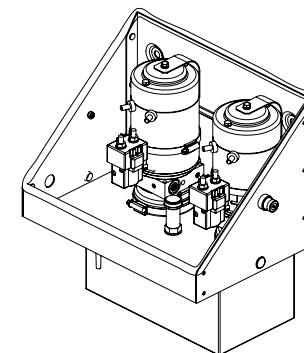
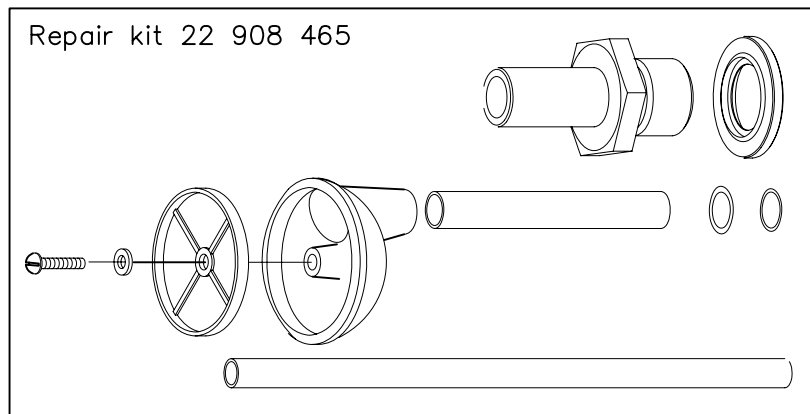
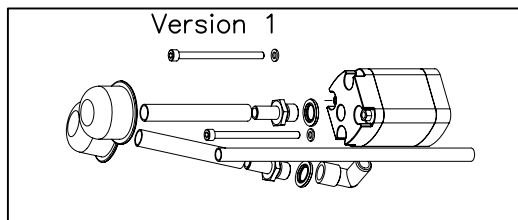
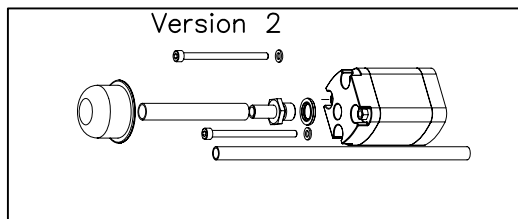
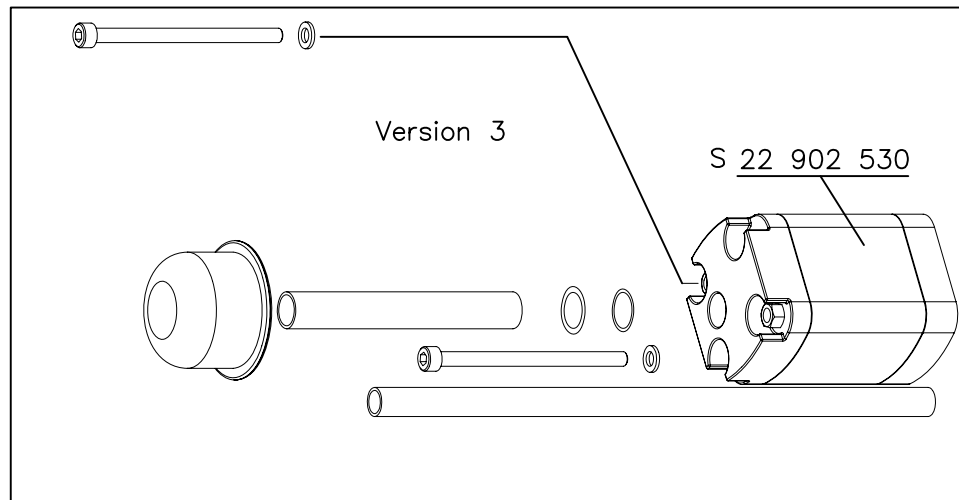
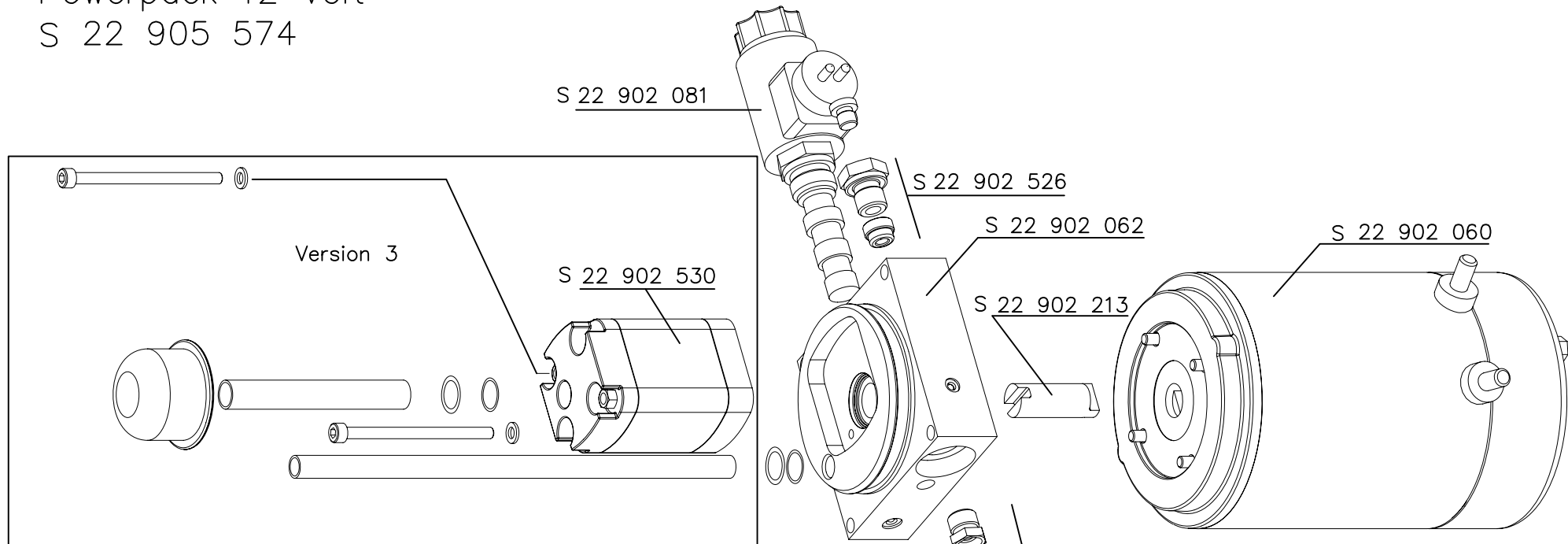
Powerpack 20 905 784 / 12 Volt



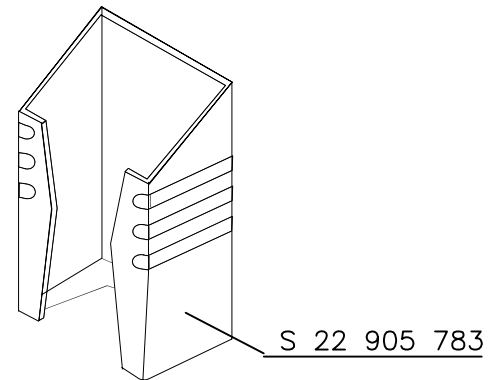
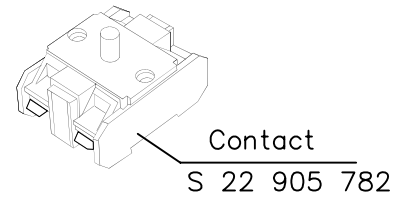
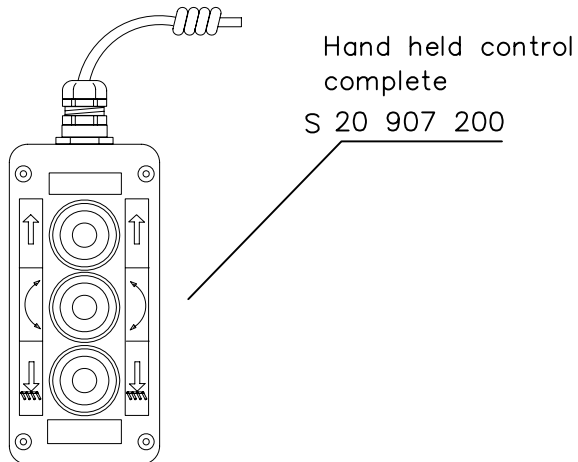
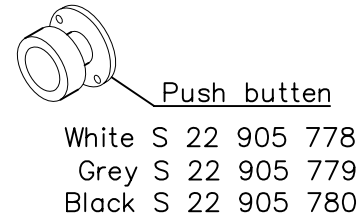
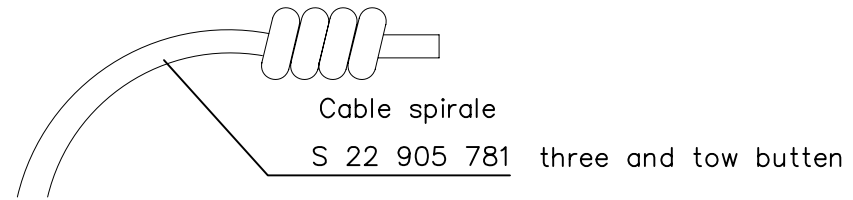
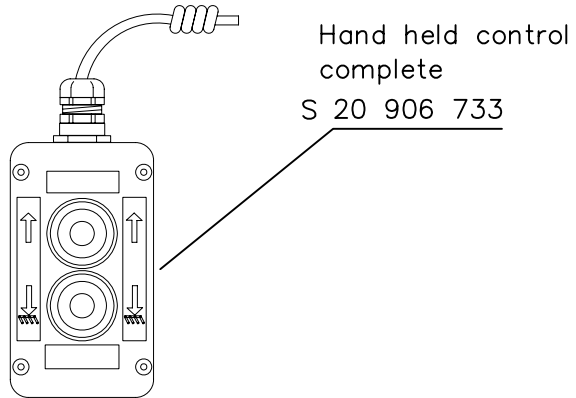
Powerpack 20 905 784 / 12 Volt



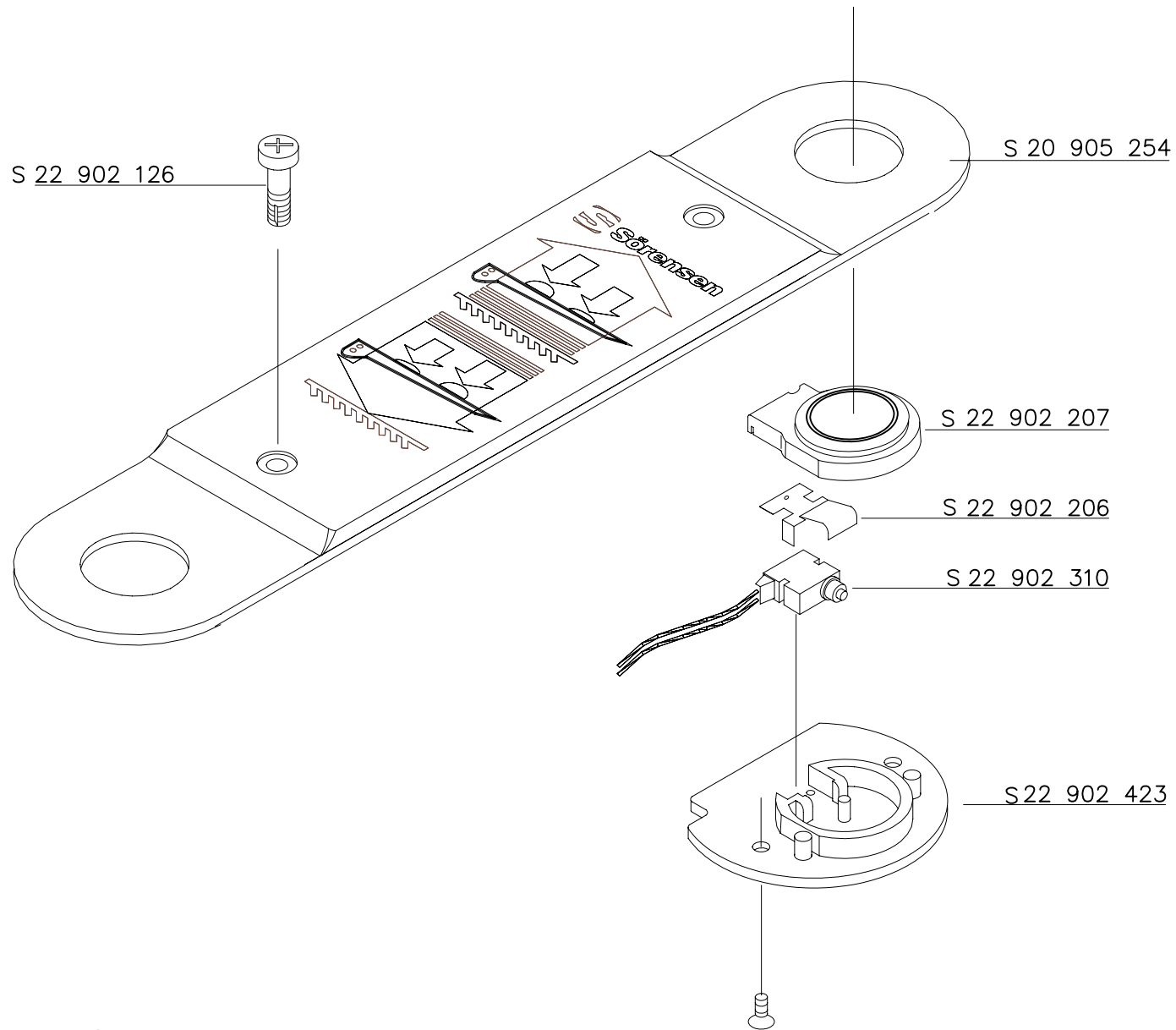
Powerpack 12 Volt
S 22 905 574



Hand held control GPC – GPS – GPSS

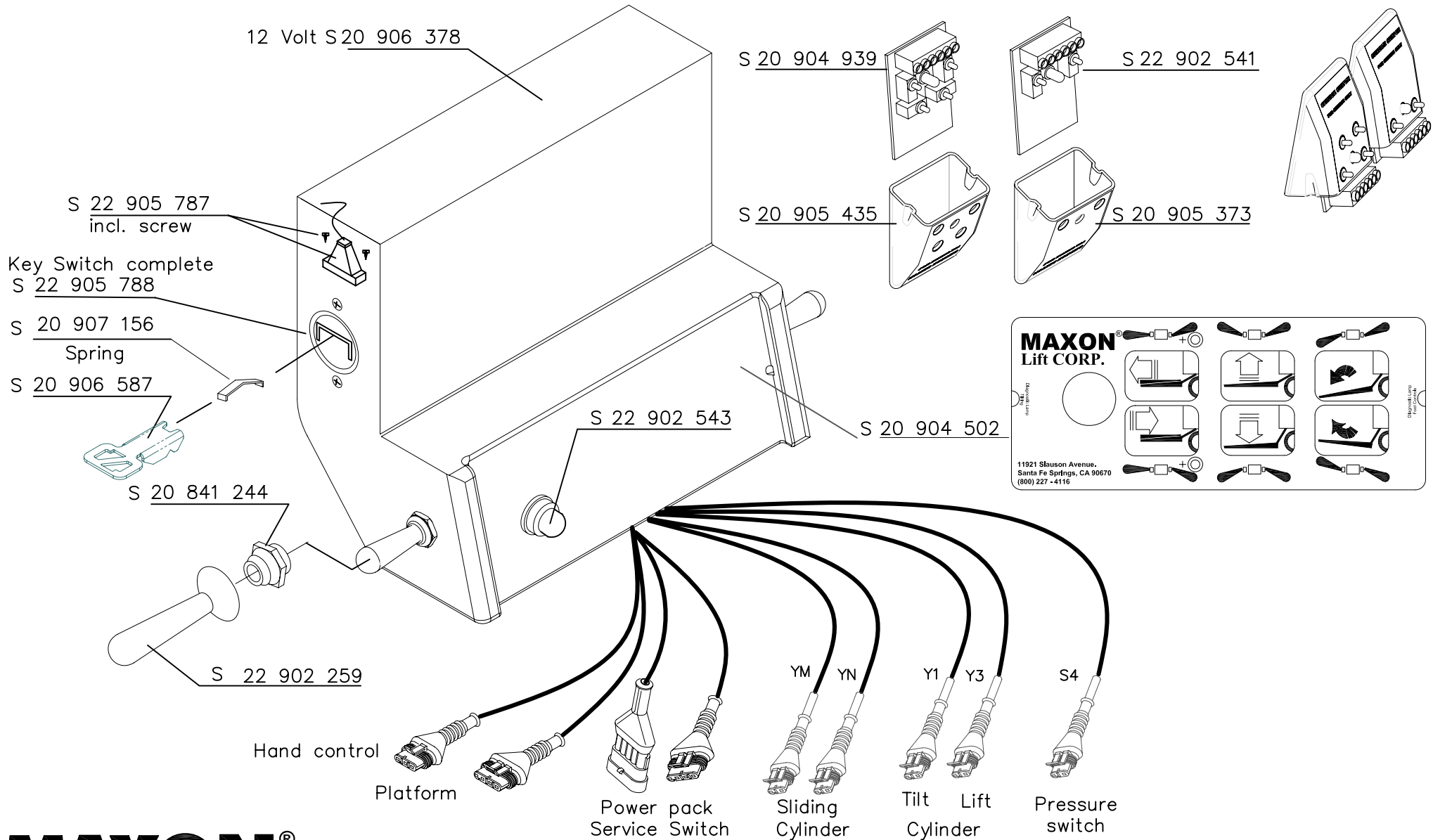


Footcontrol

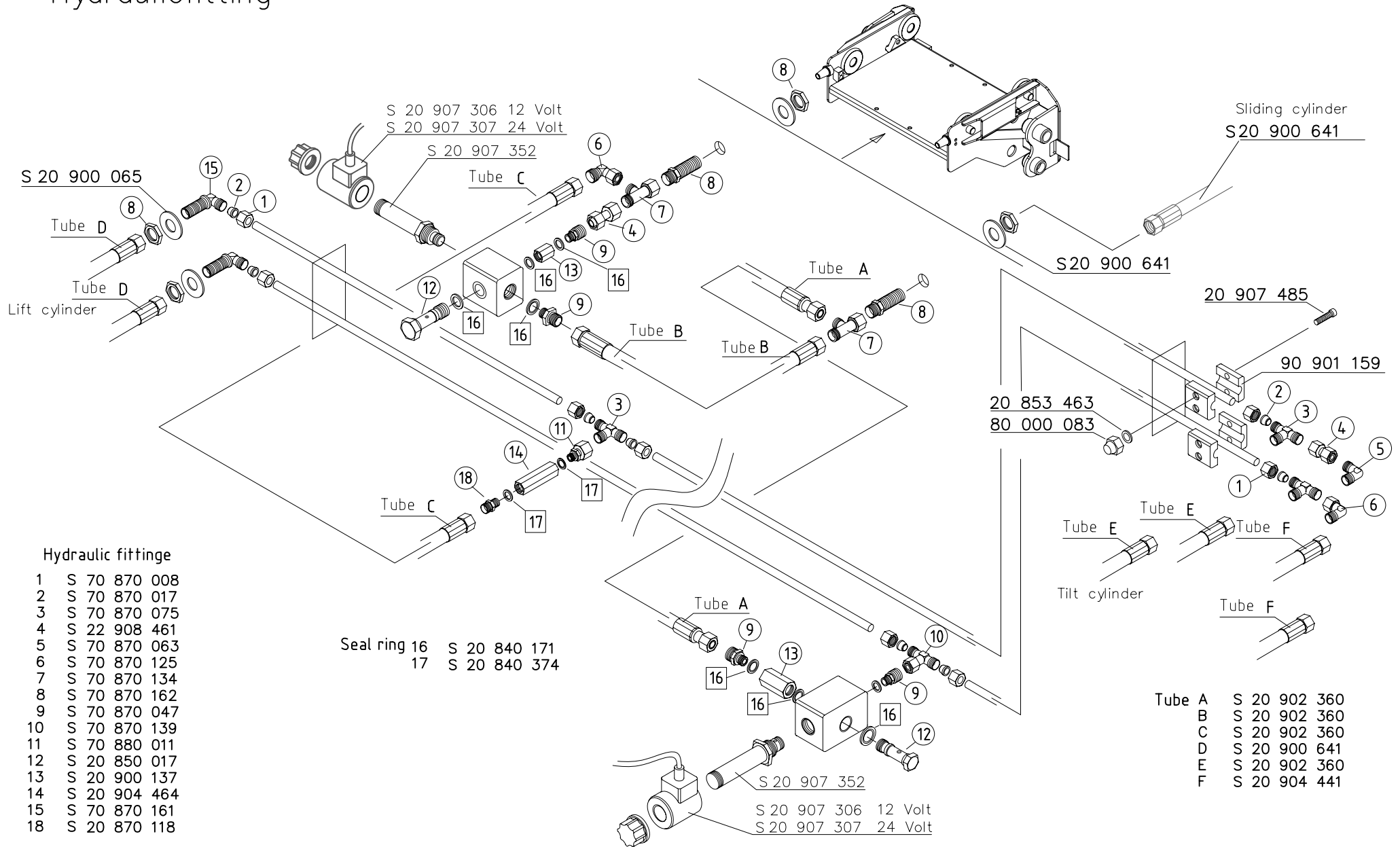


Control unit

Service Switch



Hydraulicfitting



Hydraulic fitting

- 1 S 70 870 008
- 2 S 70 870 017
- 3 S 70 870 075
- 4 S 22 908 461
- 5 S 70 870 063
- 6 S 70 870 125
- 7 S 70 870 134
- 8 S 70 870 162
- 9 S 70 870 047
- 10 S 70 870 139
- 11 S 70 880 011
- 12 S 20 850 017
- 13 S 20 900 137
- 14 S 20 904 464
- 15 S 70 870 161
- 18 S 20 870 118

- Tube A S 20 902 360
- B S 20 902 360
- C S 20 902 360
- D S 20 900 641
- E S 20 902 360
- F S 20 904 441

Hydraulicfitting

Alu pipe undeliverable new version page no. 12.1

