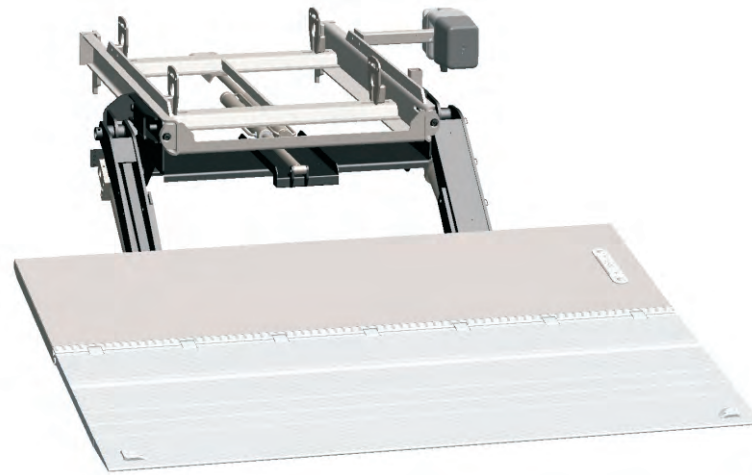


# MAXON<sup>®</sup>

## Slidelift

### Spare Parts Catalogue

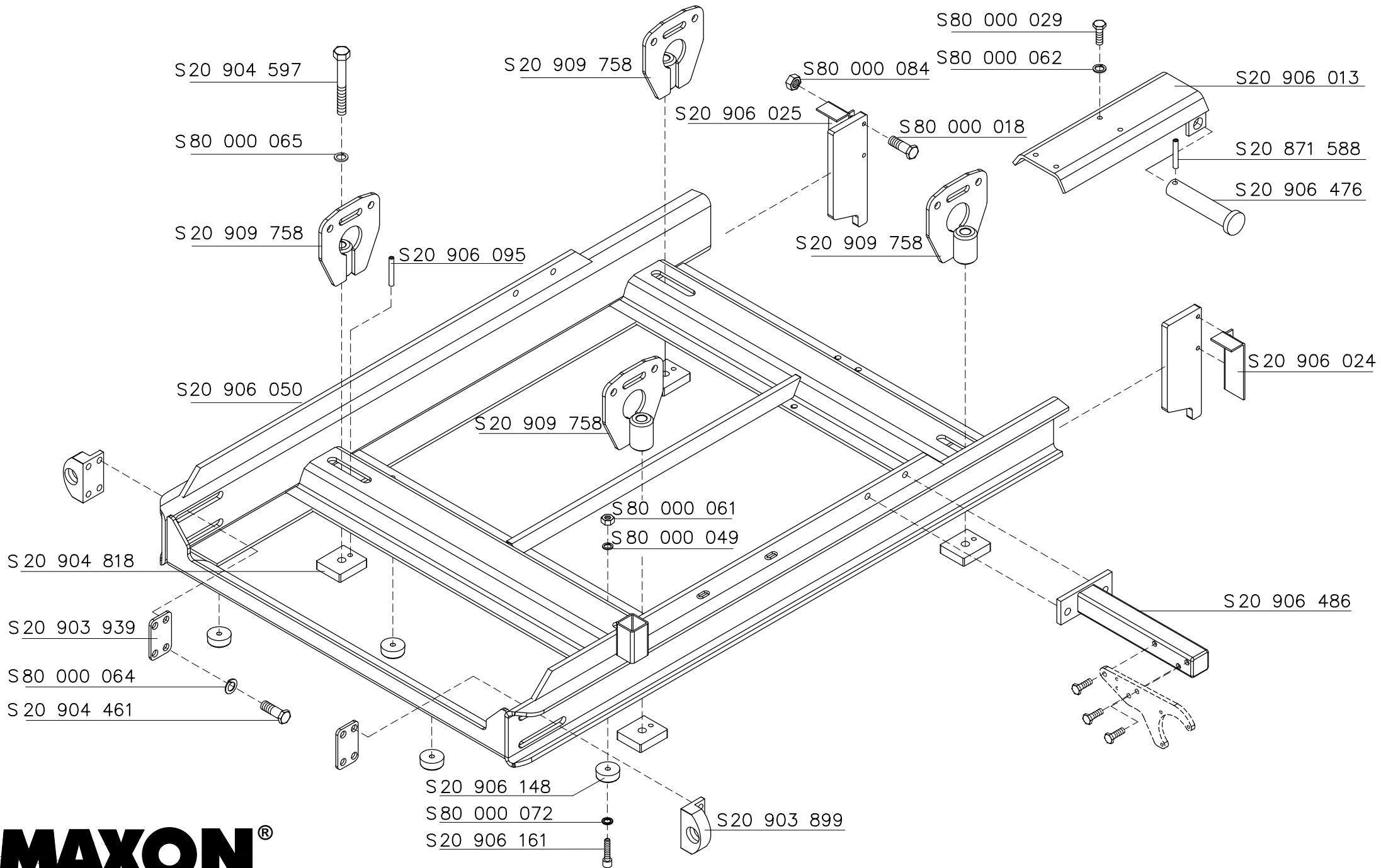


**GPST 44 X1**

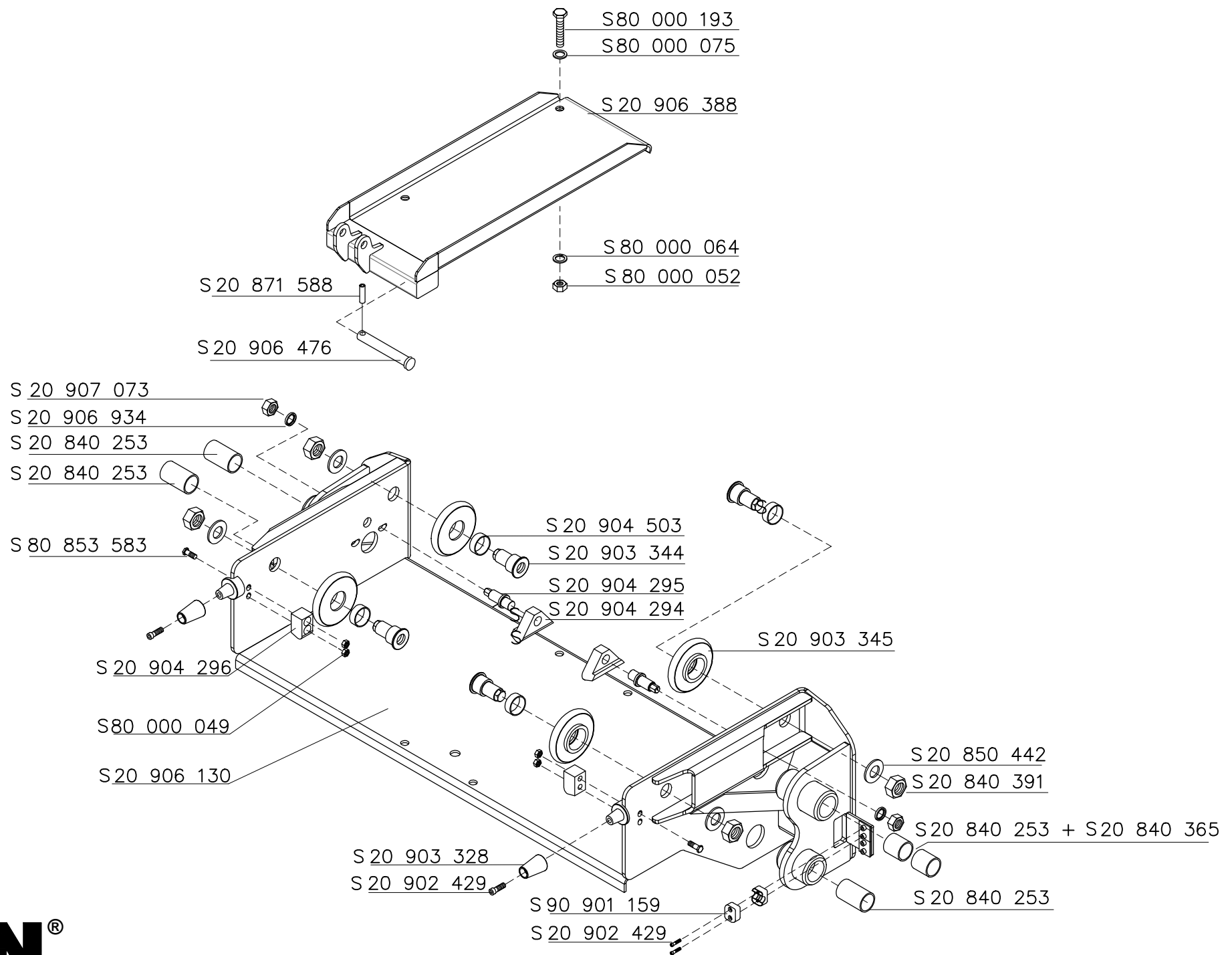
**X1**  
TECHNOLOGY

Document no. S 20 909 841  
© Sørensen Hydraulik GmbH  
2011

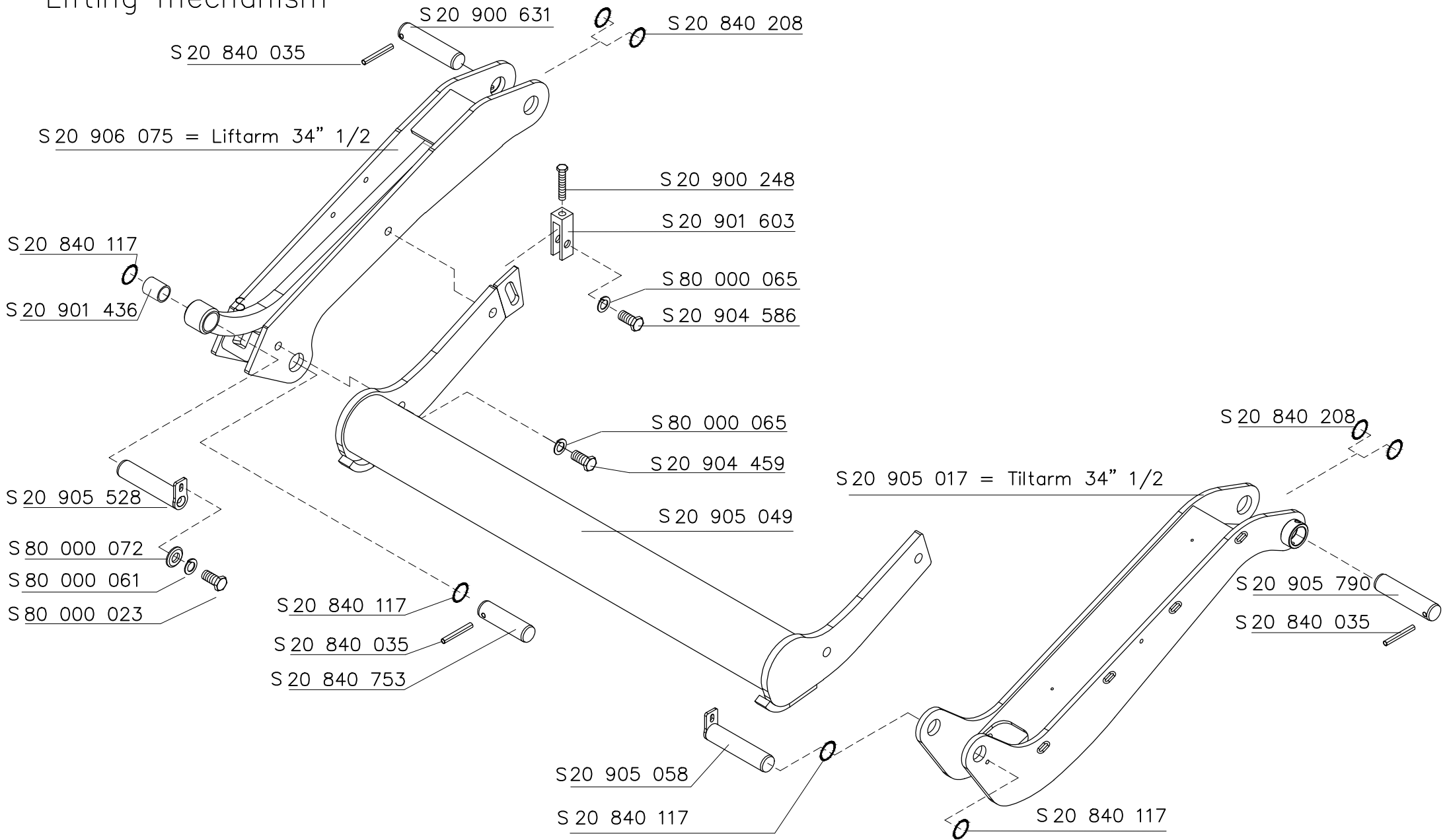
# Slideframe



# Wagon



# Lifting mechanism



Platform  
42 220 104

- S 20 852 376
- S 20 853 463
- S 20 840 508

- S 20 851 223
- S 20 906 162
- S 20 906 160
- S 20 906 147

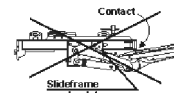
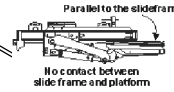
- S 20 901 222

- S 20 868 706 spring tilt down
- S 20 868 707 spring tilt up
- S 20 905 770

- S 20 906 135

Steel

**ATTENTION BY SLIDING!**



- S 20 907 995

**MAXON®**

No. 20 907 995

- S 20 840 504
- S 20 901 436

- S 20 852 376
- S 20 853 463
- S 20 905 142
- S 20 900 810

- S 20 906 186
- S 20 906 142

- S 20 902 429
- A S 80 000 062

- S 20 909 471

- S 20 905 254

- S 20 906 136

- S 20 906 196

- S 80 000 006

- S 22 905 568
- S 20 906 056
- S 80 000 084

- B cable compiled
- S 20 907 262

- S 20 852 373

- S 20 909 470

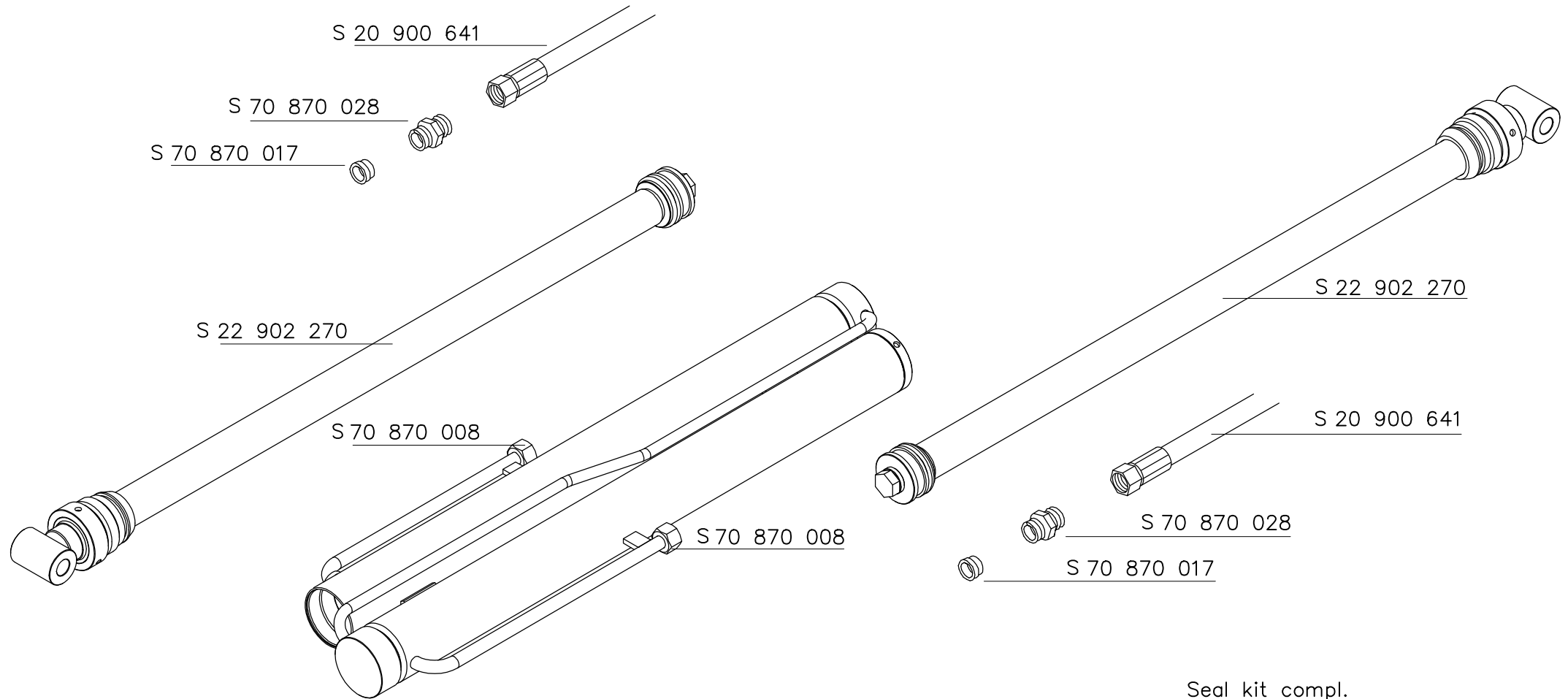
- S 90 890 011
- S 00 810 840
- only the mercury switch

- S 20 903 572
- only the mercury switch

- S 10 830 406

- S 20 906 141

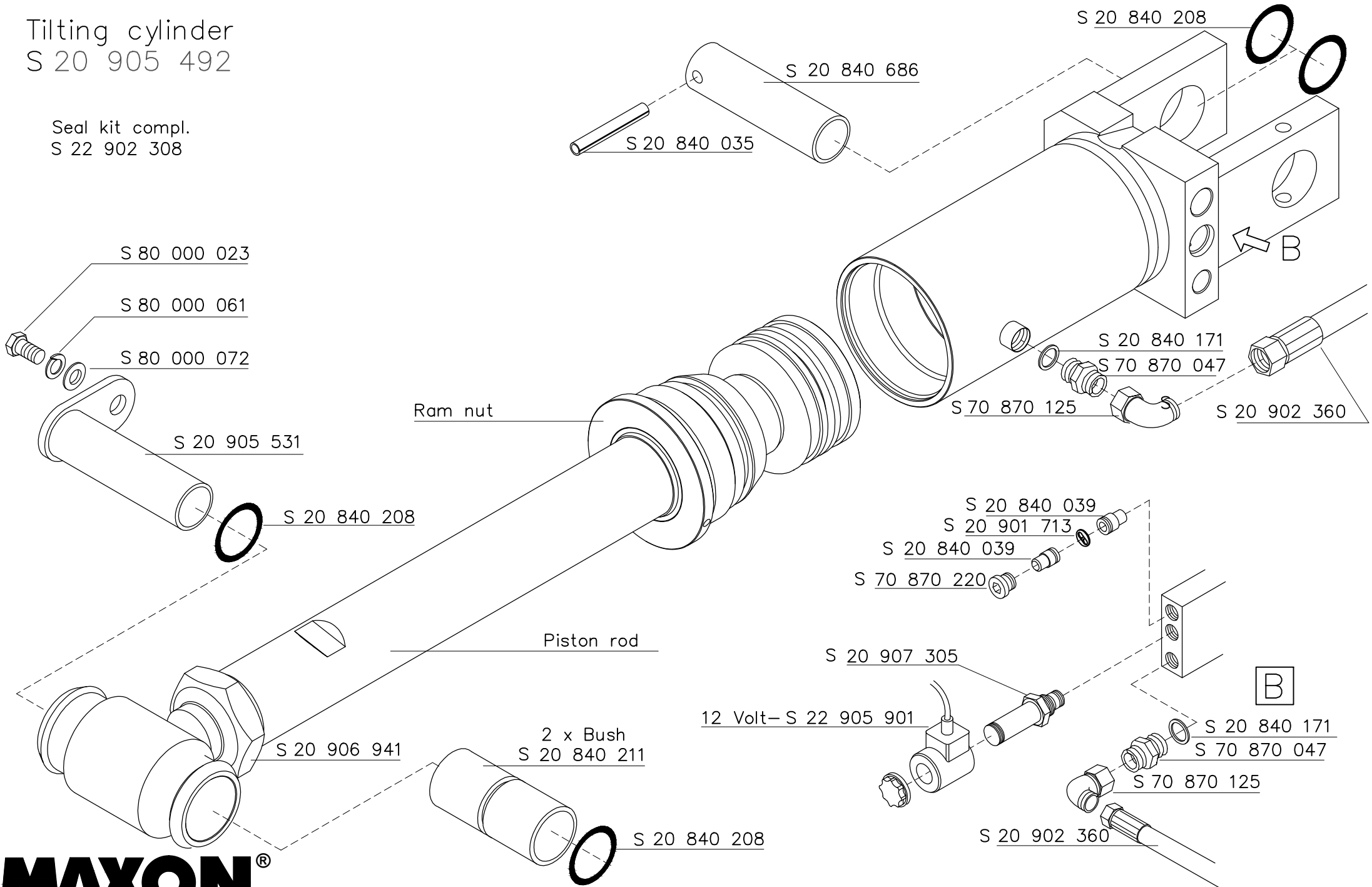
Sliding cylinder  
S 20 906 150



Seal kit compl.  
S22 902 269

Tilting cylinder  
S 20 905 492

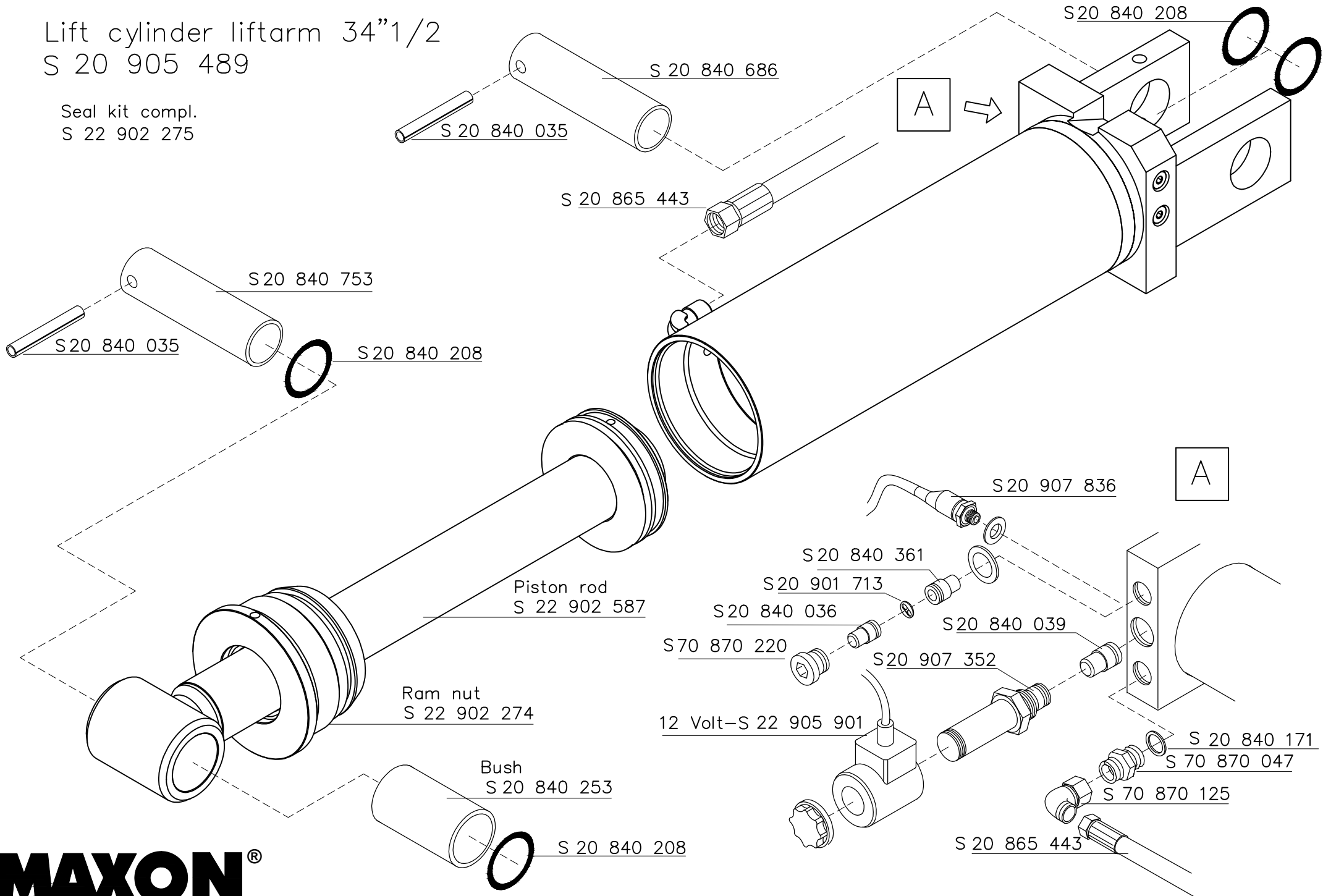
Seal kit compl.  
S 22 902 308



**MAXON**<sup>®</sup>  
GPST 44 X1

Lift cylinder liftarm 34"1/2  
S 20 905 489

Seal kit compl.  
S 22 902 275



**MAXON**<sup>®</sup>  
GPST 44 X1



# Powerpack 12Volt

S 20 909 760

### Hydraulic oil - recommendations

#### OIL SPECIFICATIONS

Grade ISO - (32)

Gravity, API - 29.5 Degrees

Pour Point, F - (-54 Degrees)

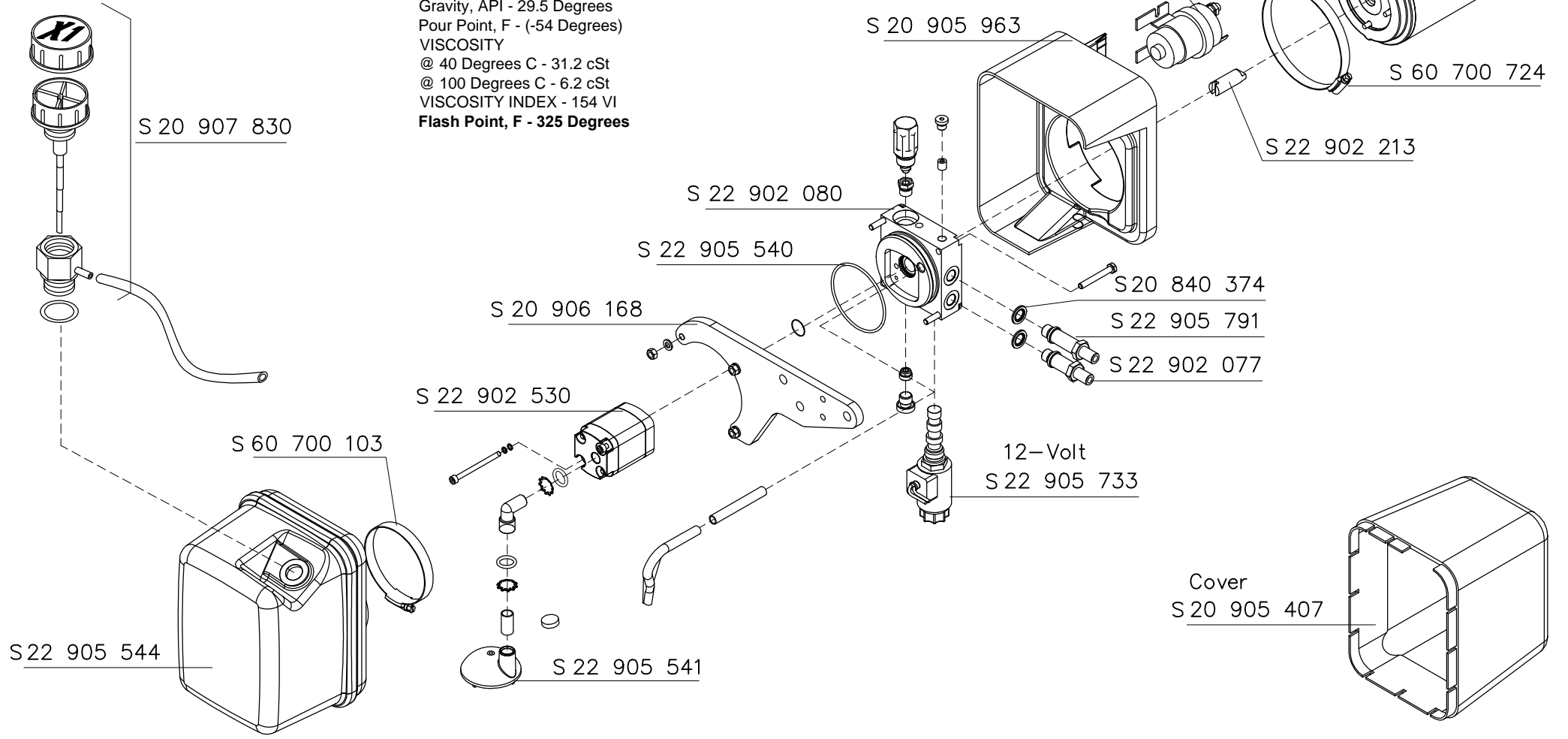
#### VISCOSITY

@ 40 Degrees C - 31.2 cSt

@ 100 Degrees C - 6.2 cSt

VISCOSITY INDEX - 154 VI

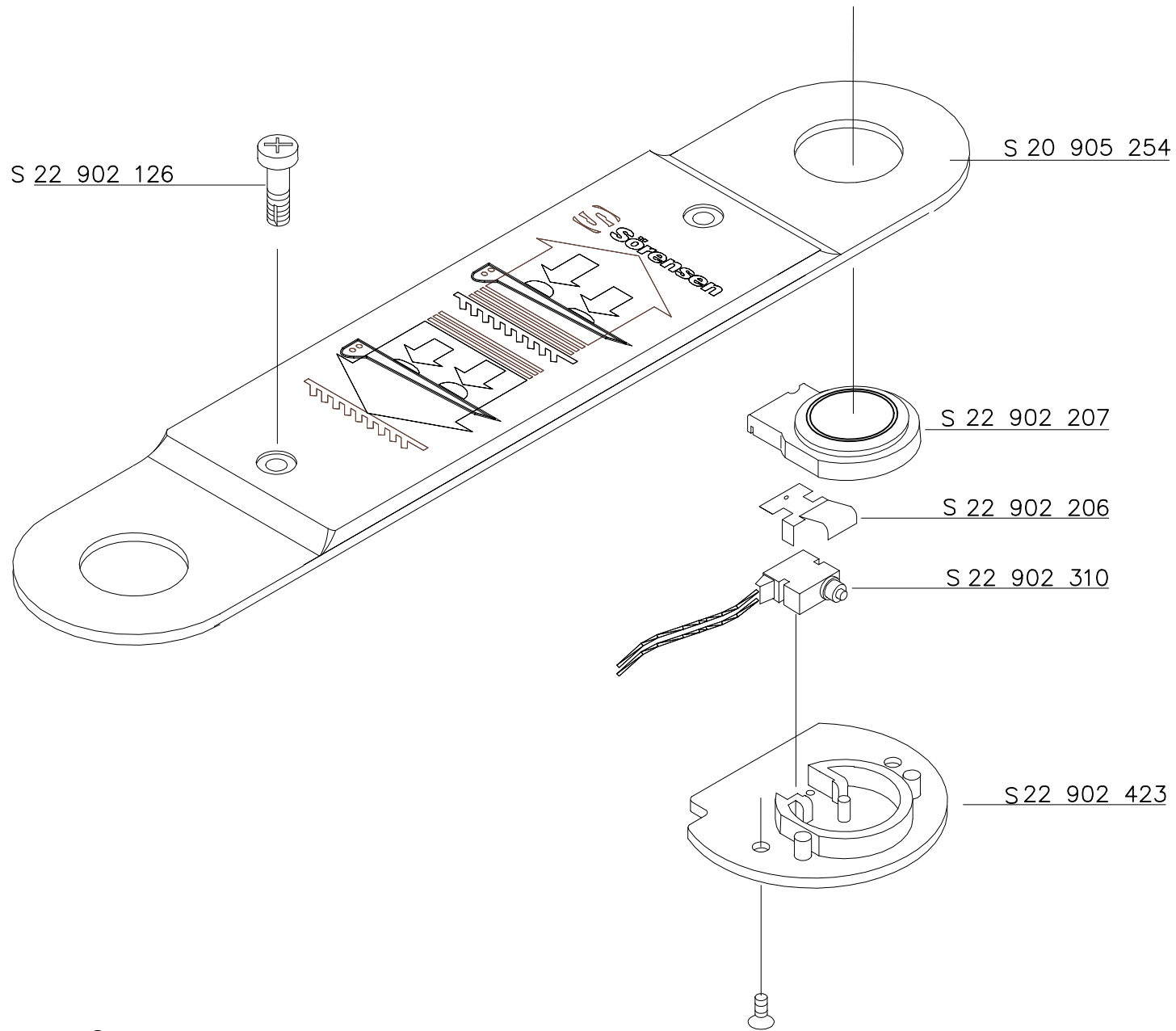
Flash Point, F - 325 Degrees



# MAXON®

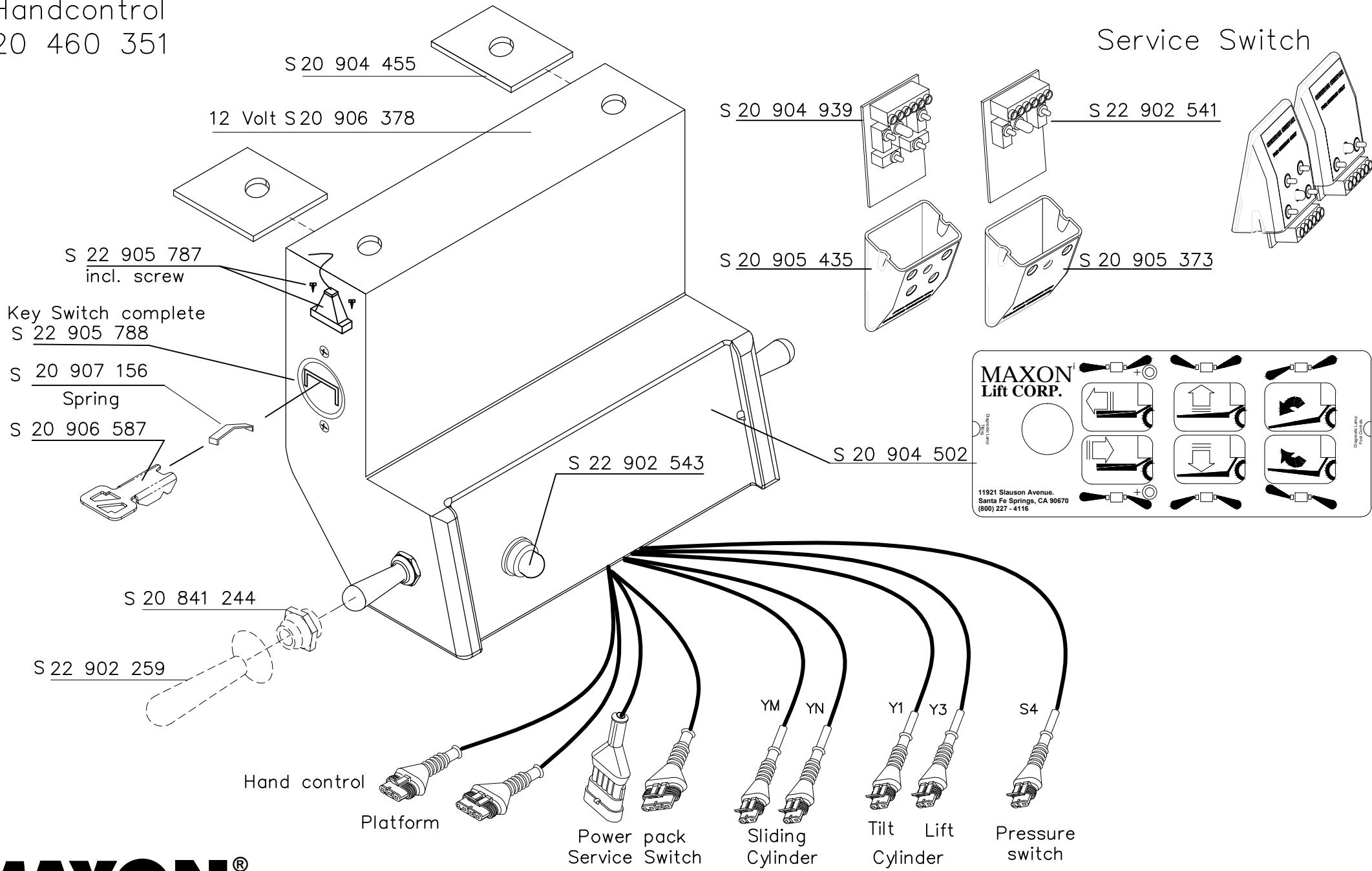
GPST 44 X1

# Footcontrol

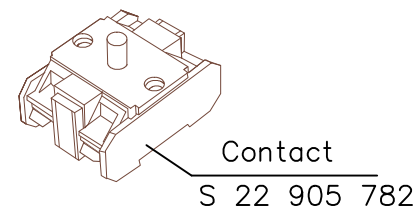
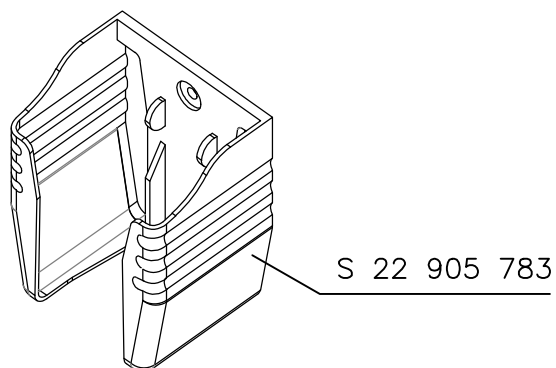
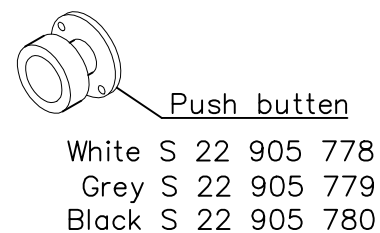
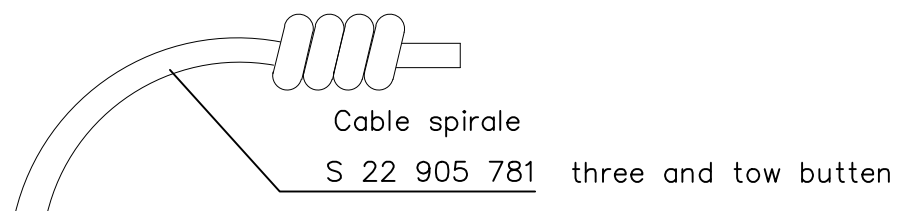
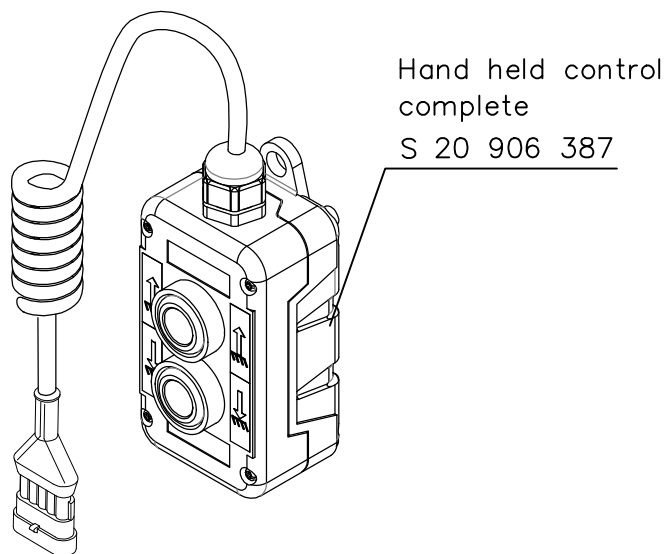


Handcontrol  
20 460 351

Service Switch



# Hand held control



# Hydraulicfitting

Tube kit compl. S 20 907 773

