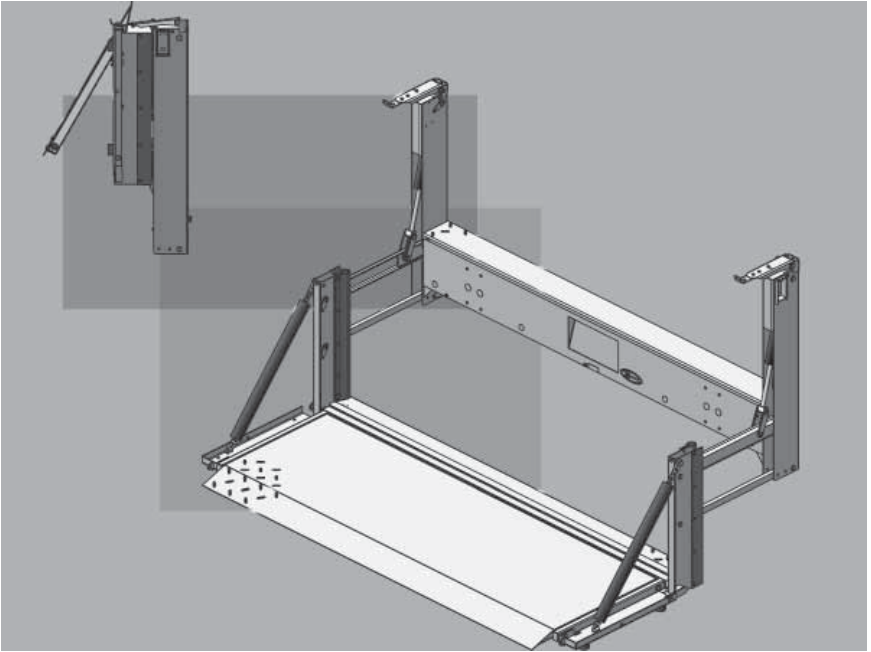


OPERATION MANUAL

C2 DUMP THROUGH C2 1600 LB CAPACITY



MAXON[®]
LIFT CORP.

To find **parts** information for your **Me2 Liftgate**, go to www.maxonlift.com. click on the **PARTS PORTAL**, **C2** and **DUMP THROUGH** buttons.

© MAXON Lift Corp. 2022

KEEP THIS MANUAL IN CAB OF VEHICLE

Register your liftgate online at www.maxonlift.com/htm/services/reg.htm.
For a free copy of other manuals that pertain to these liftgate models, please visit our website at www.maxonlift.com or contact **customer service** at (800) 227-4116.

TABLE OF CONTENTS

WARNINGS	4
RECOMMENDED DAILY OPERATION CHECKS	5
LIFTGATE TERMINOLOGY	7
DECALS	8
DECALS & PLATES	10
FORKLIFT ADVISORY	12
OPERATING INSTRUCTIONS - USE AS A LIFTGATE	13
ACTIVATING LIFTGATE.....	14
UNFOLDING PLATFORM	16
LOADING VEHICLE	18
UNLOADING VEHICLE.....	19
STOWING PLATFORM	20
TURNING OFF POWER	22
OPERATING INSTRUCTIONS - USE AS A DUMP THROUGH TAILGATE	23
UNLATCHING TAILGATE.....	23
LATCHING TAILGATE.....	26

WARNING

1. Incorrect operation of this Liftgate can result in serious personal injury. Comply with **WARNINGS** and Liftgate operating instructions in this manual. Do not allow untrained persons to operate the Liftgate. If you need to replace an **Operation Manual**, additional copies are available from:

MAXON Lift Corp. Customer Service
11921 Slauson Ave
Santa Fe Springs, CA 90670
(800) 227-4116
2. Do not exceed rated **load capacity** of this **C2** Liftgate which is **1,600 lbs.**
3. Do not allow any part of your body to be placed under, within, or around any portion of the moving Liftgate or its mechanisms, or in a position that would trap them between the platform and the floor of truck body (or between platform and the ground) when Liftgate is operated.
4. Consider the safety and location of bystanders and location of nearby objects when operating the Liftgate. Stand to one side of platform while operating the Liftgate. Be certain that the area the Liftgate will move through during operation is clear of all obstacles.
5. Comply with all attached instruction decals and warning decals.
6. Keep decals clean and legible. If decals are illegible or missing, have them replaced. **Get free replacement decals from Maxon.**
7. **Never drive a forklift on the Liftgate platform.**
8. Do not move vehicle unless Liftgate is correctly stowed.
9. **Correctly stow platform when not in use. Extended platforms could create a hazard for people and vehicles passing by.**
10. A correctly installed Liftgate will operate smoothly and reasonably quiet. The only noticeable noise, during Liftgate operation, is from the power unit while the platform is being raised. Listen for scraping, grating and binding noises and have the problem corrected before continuing to operate the Liftgate.
11. Above all, **USE GOOD COMMON SENSE** when operating this Liftgate.
12. Never use a cell phone while operating the Liftgate.

RECOMMENDED DAILY OPERATION CHECKS

NOTE: Before you check the Liftgate, park vehicle on flat ground and set the parking brake.

NOTE: If any of the following operation checks reveal a need to service or repair Liftgate, do not operate the Liftgate until a qualified mechanic services or repairs the Liftgate.

Before operating the Liftgate, the operator should do the following:

- Make sure batteries are fully charged, and battery terminal connections are clean and tight.
- Visually check platform is latched securely in stowed position, latches are undamaged, and platform chains are in place.
- Visually check that cover on the main frame housing is undamaged and bolted on securely. Look for hydraulic fluid leaking from housing.
- Follow the routing of hydraulic hoses from cylinders to main frame. Make sure visible hoses connections are secure and there are no cracks, chafing, and fluid leaks.
- Visually check that standard and optional controls are in place and undamaged.
- Visually check that all decals are in place (see **DECALS** page). Make sure decals are legible, clean, and undamaged.
- Visually check that dump through tailgate is closed, and latch lever is pinned in the **LATCH** position.

Use the operation instructions in this manual to unfold the platform and lower it to the ground.

- Check that platform latches are unlocked and release platform without binding. Also ensure platform unfolds smoothly to operating position and lowers to the ground smoothly.
- Check main frame, columns, lift arms, and parallel arms for cracks and bends. Make sure platform chains are undamaged and connected securely at both ends. Also, make sure all bolts and pins are in place and undamaged.
- Check platform for cracks, holes, and bends on the load-carrying surfaces and side plates.
- Make sure load-carrying surfaces on main frame housing and platform, are clean (no oil, debris, or corrosion).
- Check for fluid leaks from hydraulic cylinders.

Use the operation instructions in this manual to operate the Liftgate through one cycle without a load on the platform. Raise the platform to vehicle bed height. Next, lower the platform to ground level.

- When raising and lowering platform, listen for unusual noises and look for a “jerking” motion or uneven movement at LH and RH sides of the platform. Uneven movement should not exceed 1”.
- With platform at bed height, make sure the LH and RH platform chains feel even in tightness.

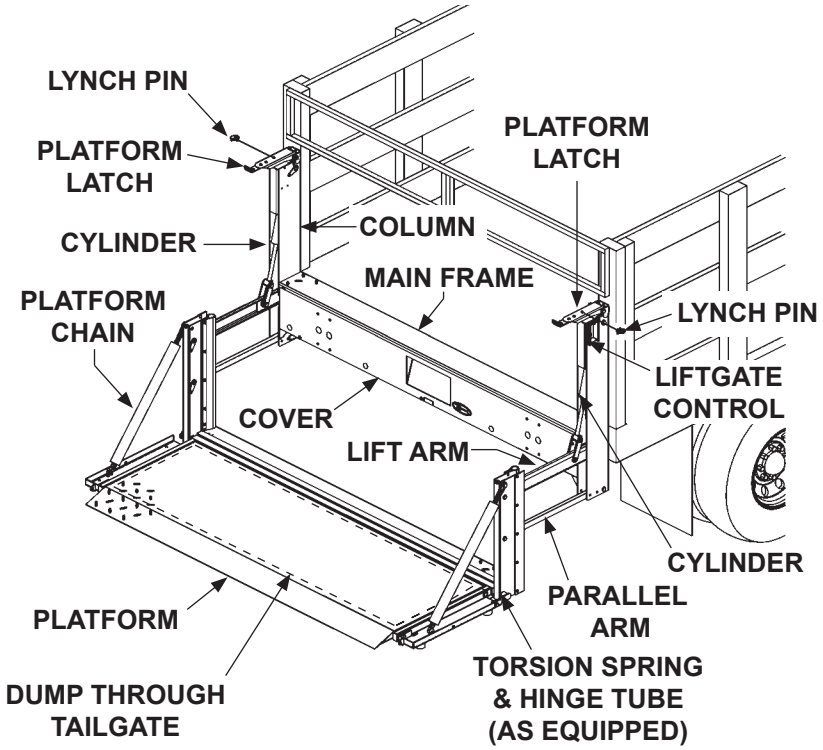
If service or repairs are not required (or if completed), stow platform for transport.

Before operating the dump through tailgate, the operator should do the following:

- Read the Operator’s manual before operating equipment.
- Visually check that all decals are in place (see **DECALS** page). Make sure decals are legible, clean, and undamaged. Comply with the instructions, **CAUTIONS & WARNINGS**.
- Ensure lever on dump through tailgate unlatches and latches smoothly, and tailgate opens and closes smoothly. Make sure pin is undamaged and will secure the lever in **LATCH** position.
- Ensure that the platform is folded and latched, with both lynch pins, to the liftgate columns, and the lever on tailgate is latched and pinned.
- Ensure hold down clamps are in place to secure dump body to truck frame when a single action body hoist is used.
- Stand to the side when dump through tailgate is opening. Tailgate will swing open.

If service or repairs are not required (or if completed), stow platform and secure dump through tailgate for transport.

LIFTGATE TERMINOLOGY



**C2 LIFTGATE WITH DUMP THROUGH TAILGATE
FIG. 7-1**

DECALS

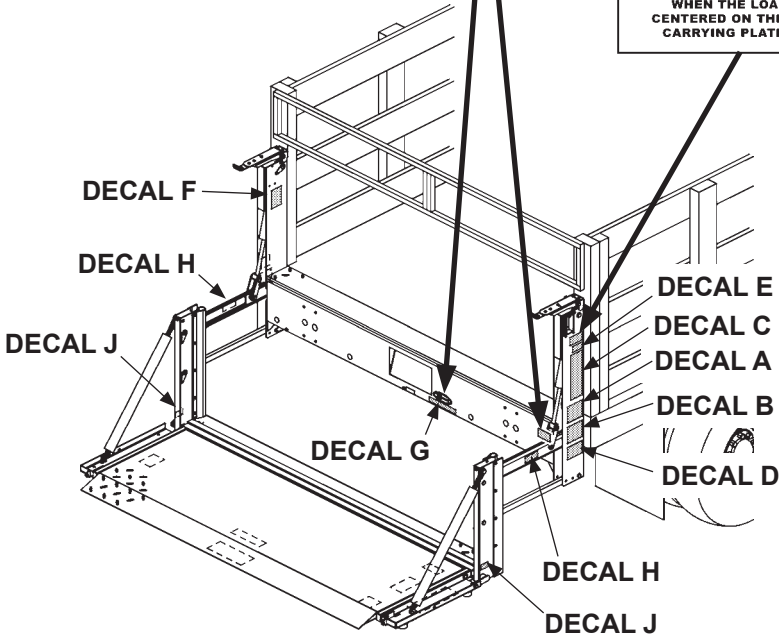
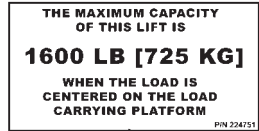
NOTE: Ensure there is no residue, dirt, or corrosion where decals are attached. If necessary, clean surface before attaching decals.



OIL CAUTION DECAL
P/N 295317



DECAL P/N 295597



C2 LIFTGATE WITH DUMP THROUGH TAILGATE
FIG. 8-1

SAFETY INSTRUCTIONS

Read all decals and operation manual before operating liftgate.

1. Do not use liftgate unless you have been properly instructed and have read, and are familiar with, the operating instructions.
2. Be certain vehicle is properly and securely braked before using the liftgate.
3. Always inspect this liftgate for maintenance or damage before using it. Do not use liftgate if it shows any sign of damage or improper maintenance.
4. Do not overload.
5. Make certain the area in which the platform will open and close is clear before opening or closing the platform.
6. Make certain platform area, including the area in which loads may fall from platform, is clear before and at all times during operation of liftgate.
7. This liftgate is intended for loading and unloading of cargo only. Do not use this liftgate for anything out its intended use.

(A)

WARNING

Read this information carefully.

- Improper operation of this Liftgate can result in serious personal injury. If you do not have a copy of the operating instructions, please obtain them from your employer, distributor, or lessor before you attempt to operate Liftgate.
- Always use pins of proper dimensions, damage to vital parts, or uneven platform surface. Do not use the Liftgate until these problems have been corrected.
- If you are using a pallet jack, be sure it can be maneuvered safely.
- Do not operate a forklift on the platform.
- Do not allow any part of yours or your helper's body to be placed under, within, or around any portion of the moving Liftgate, or its mechanisms, or in a position that would trap them between the platform and the ground or truck when the Liftgate is operating.
- Do not ride on the platform or allow others to ride on the platform.
- USE GOOD COMMON SENSE.
- If load appears to be unsafe, do not lift or lower it.

For a free copy of other manuals that pertain to this model Liftgate, please visit our website at www.maxonlift.com or call Customer Service at (800) 327-4115.

(B)

WARNING



- Liftgate hazards can result in crushing, pinching or falling.
- Keep hands & feet clear of pinch points.
- Do not ride on the platform.

Read and understand all instructions & WARNINGS before use.

(D)

CAUTION

Always stand clear of platform area.

(E)

WARNING



- Liftgate is not for lifting people or people riding in wheelchairs. Do not ride platform or allow others to ride platform.
- Do not allow children or untrained adults to operate Liftgate.
- When Liftgate is not being used or is not attended, fold and latch platform to stow. Turn off Liftgate control.

(F)

WARNING

Spring is under high tension.



(J)

WARNING



Keep hands & feet clear of platform & flipover when folding & unfolding platform. (See Operation Manual.)

(H)

WARNING



To prevent injury, do the following before removing cover.

1. Lower platform to the ground, or stow & latch platform.
2. Disconnect positive (+) battery cable from battery.

(C)

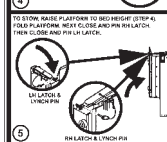
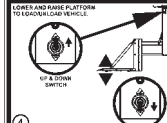
OPERATING INSTRUCTIONS

ME2 Dump Through
Scan this QR code to see operation manual or video.

USE AS LIFTGATE



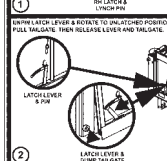
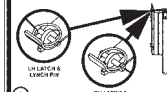
ENSURE DUMP TAILGATE IS CLOSED & LATCHED. SEE OPERATION MANUAL FOR LATCHING & UNLATCHING PLATFORM.



ENSURE PLATFORM IS FOLDED & SECURED WITH LATCHES & LATCH PINS.



ENSURE LATCH LEVER & ROTATE TO UNLATCHED POSITION. PULL TAILGATE. THEN RELEASE LEVER AND TAILGATE.



LATCH LEVER & PIN

WARNINGS, CAUTIONS & INSTRUCTIONS DECAL SHEET

P/N 212391-01

FIG. 9-1

DECALS & PLATES

CAUTION

Liftgate used as a Lift:
 • Never use as a liftgate if dump body is raised. Dump body must be lowered down fully to use liftgate.
 • Never open platform unless both latch pins for tailgate are fully engaged with platform frame, and latch lever is latched and pinned.
 • For dump body with a single action hook, use hold-down clamps to secure dump body to truck frame & prevent dump body from rising up when liftgate is used.
 • Stand to the side of platform when opening, lowering, raising and closing. Keep your whole body clear of area where platform is moved. Failure to comply can result in personal injury and equipment damage.

P/N 212198-01 (9141)

**CAUTION DECAL
P/N 212198-01 (9141)**

WARNING

Stand clear of Dump Through liftgate when releasing the latch, and when dumping a load. Failure to comply can result in personal injury.

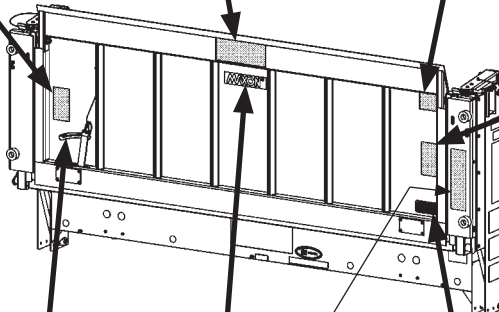
**WARNING DECAL
P/N 212198-01 (9124)**

WARNING

Liftgate used as a Lift:
 • The force to open and close platform changes when vehicle is on level ground or an incline. If possible keep vehicle on level ground.
 • Keep one hand on platform when opening and closing platform.
 • Stand clear of all moving parts when opening, lowering, raising and closing platform.
 • Never use platform as a step.
 • Never modify original platform size to increase or decrease load carrying surface. Failure to comply can result in personal injury and damaged equipment.

P/N 212198-01 (9523)

**WARNING DECAL
P/N 212198-01 (9523)**



CAUTION

Liftgate used as a Dump Through Tailgate:
 • Liftgate platform must be raised all the way up with platform closed and secured to main frame with the lynch pins.
 • The dump body on vehicle must be fully lowered before unpinning and unlatching the tailgate.
 • Stand to the side of the tailgate when unpinning and unlatching the plate. Never stand behind or below the tailgate because it will swing out when unlatched.
 • Keep every part of your body clear of the area where the tailgate swings out.
 • Ensure the dump body is fully lowered before latching and pinning the tailgate. Failure to comply can result in personal injury and damaged equipment.

P/N 212198-01 (9142)

**CAUTION DECAL
P/N 212198-01 (9142)**

DECAL K



**UNLATCH-LATCH DECAL
P/N 212286-01**



**FAMILY OWNED DECAL
P/N 283445-01**



**MAXON DECAL
P/N 299097-01**

**C2 LIFTGATE WITH DUMP THROUGH TAILGATE
FIG. 10-1**

MAXON 24

24/7 LIFTGATE SUPPORT

- Around-the-clock nationwide assistance
- Trained technicians on-call to diagnose and troubleshoot

866 MAXON 24
(866) 629-6624
 maxonlift.com/24

P/N 298634-01

MAXON
 Scan for Parts Breakdown



Escanee para el desglose de partes
 P/N 299139-04

**QR PARTS DECAL
 STAKEBED DUMP
 THROUGH
 P/N 299139-04**

**MAXON 24/7
 SUPPORT DECAL
 P/N 298634-01**

MAXON CONVENTIONAL
 STAKEBED DUMP THROUGH

SERIAL #

SANTAFE SPRINGS, CA

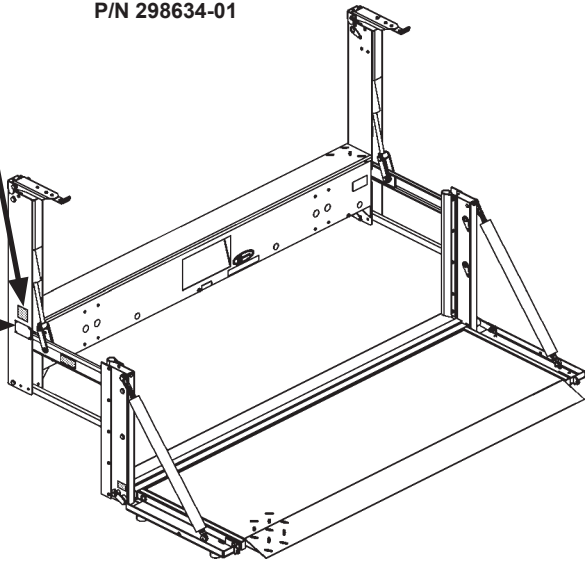
888-227-4116

MADE IN MEXICO SERIAL PLATE 963367

MODEL CAPACITY LBS

Get the latest patents and patents pending information at www.maxonlift.com/patents.

SERIAL PLATE (REF)



NOTE: MAXON 24/7 LIFTGATE SUPPORT service is only available in the Continental U.S.

**C2 LIFTGATE WITH DUMP THROUGH TAILGATE
 FIG. 11-1**

FORKLIFT ADVISORY

⚠ WARNING
Keep forklift OFF of platform.

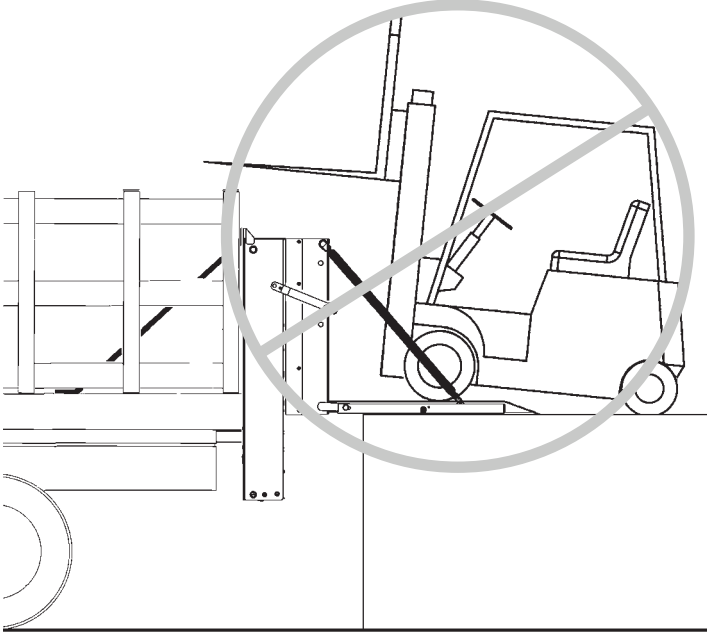


FIG. 12-1

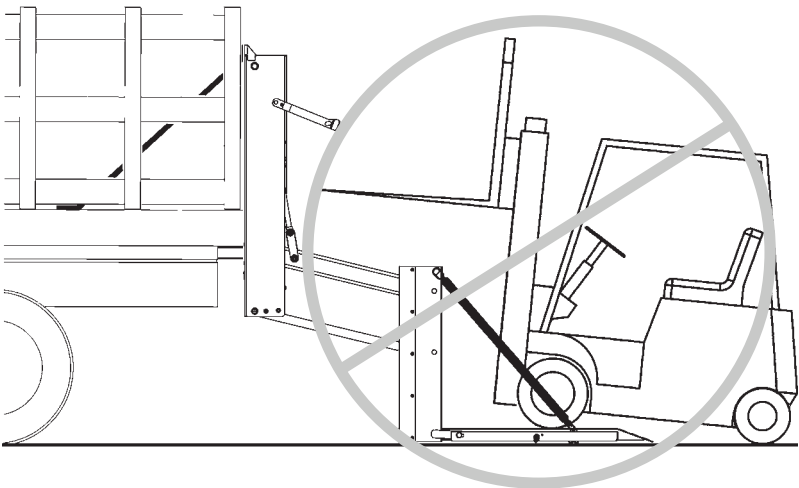


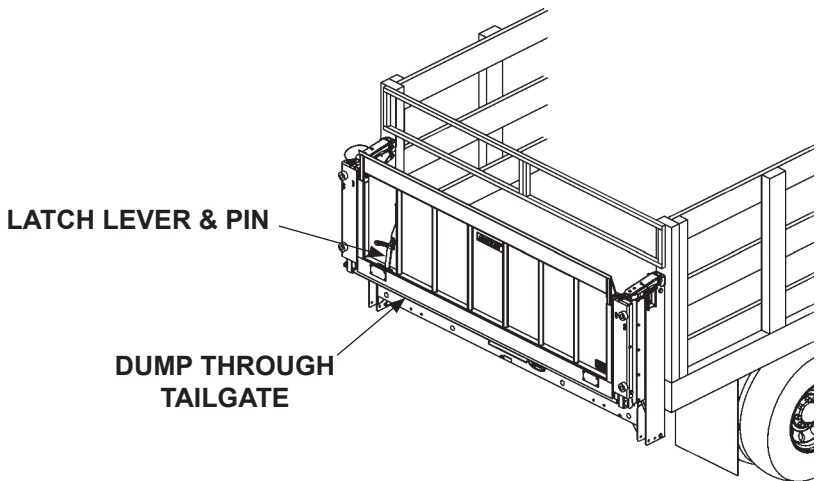
FIG. 12-2

OPERATING INSTRUCTIONS - USE AS A LIFTGATE

CAUTION

To prevent personal injury and equipment damage, ensure dump tailgate is securely closed & latched to platform before using platform to carry loads.

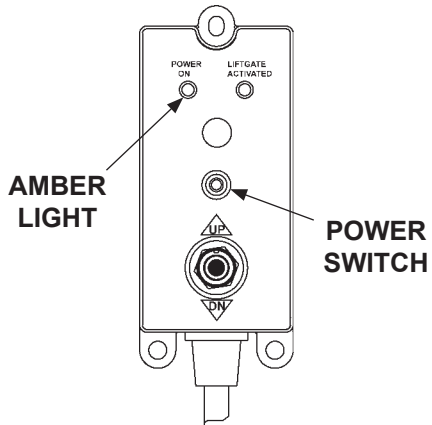
Ensure dump tailgate is closed and latched to platform, and lever is pinned in **LATCHED** position (**FIG. 13-1**). To close and latch tailgate, refer to instructions in this manual for **LATCHING DUMP THROUGH TAILGATE**.



CLOSED & LATCHED TAILGATE
FIG. 13-1

ACTIVATING LIFTGATE

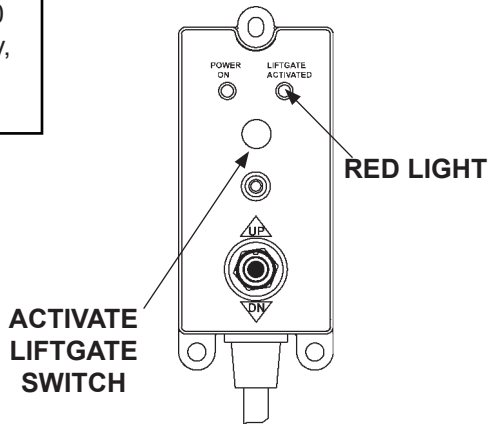
1. Apply power to Liftgate by pushing power switch on the Liftgate control (**FIG. 14-1**). Amber **POWER ON** light is turned on when power is applied.



**POWER ON SWITCH &
INDICATOR LIGHT
FIG. 14-1**

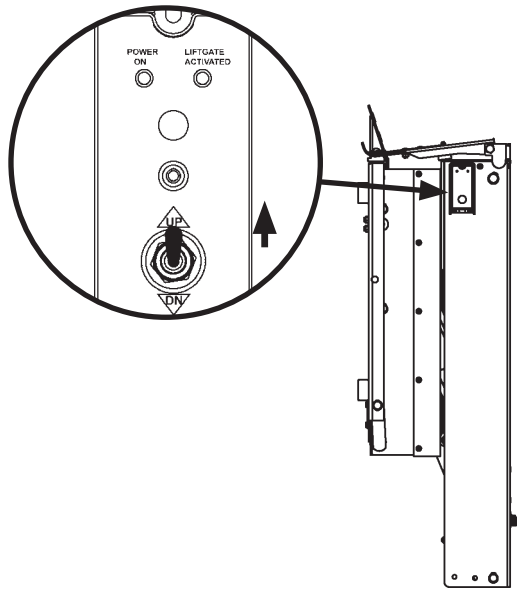
NOTE: Liftgate control allows a 90 second window of time to operate Liftgate after pushing the Liftgate activated switch 2 times. Each time the toggle switch is positioned to **UP** or **DN** position, the operating time is extend by 90 seconds. After 90 seconds without activity, the control will become deactivated.

2. Activate the Liftgate by pushing **ACTIVATED** switch 2 times in one second (**FIG. 14-2**). Red **ACTIVATED** light is turned on when Liftgate is activated.



**ACTIVATE LIFTGATE SWITCH
& INDICATOR LIGHT
FIG. 14-2**

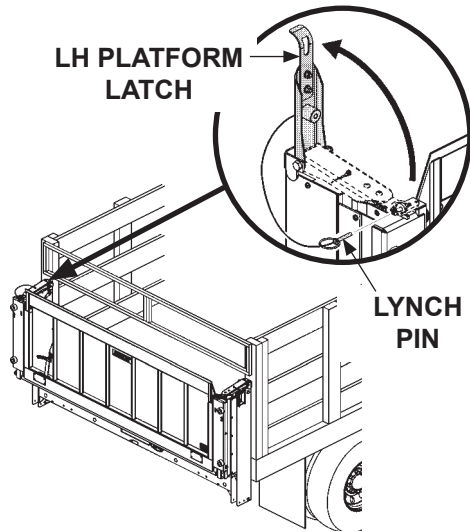
3. To pressurize the hydraulic system, hold the control switch **UP** for 1 second and release (**FIG. 15-1**).



CONTROL SWITCH UP
FIG. 15-1

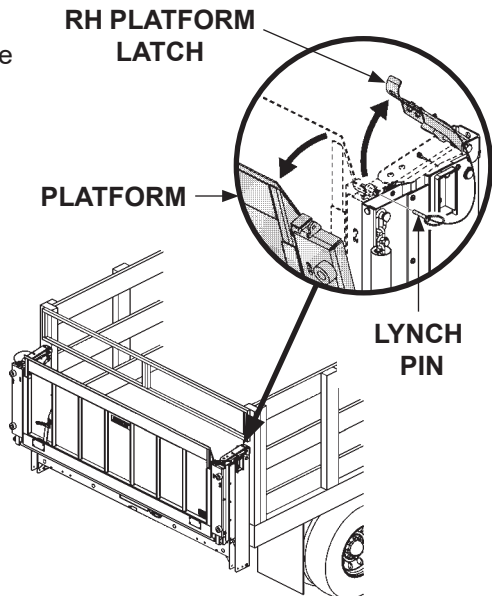
UNFOLDING PLATFORM

1. Remove the lynch pin on the LH platform latch and push the latch off the platform (FIG. 16-1).



REMOVING LH COLUMN PIN
FIG. 16-1

2. Remove the lynch pin on the RH platform latch and push the latch off the platform, while pulling the platform open (FIGS. 16-2).

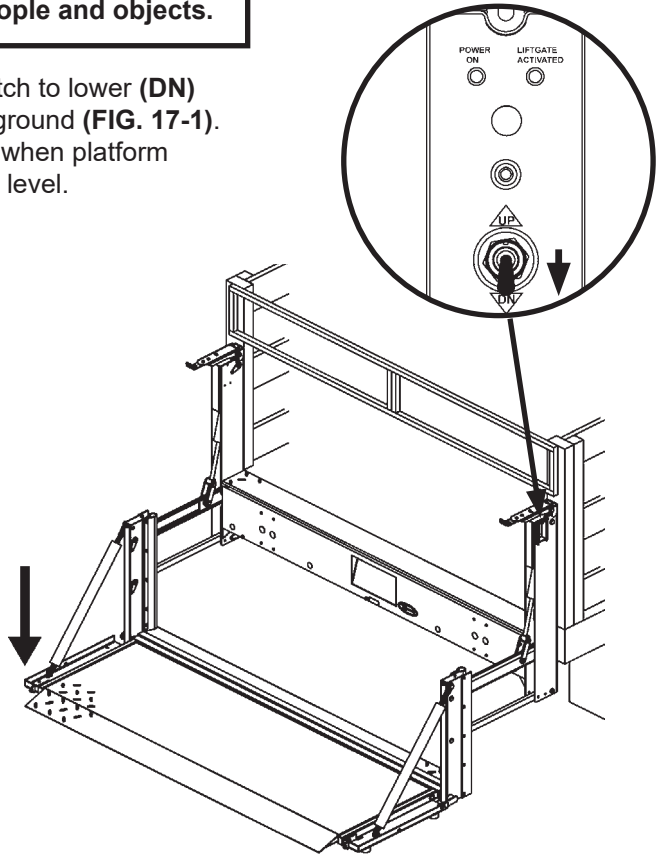


REMOVING RH COLUMN PIN &
OPENING PLATFORM
FIG. 16-2

⚠ WARNING

Before lowering platform, make sure area surrounding platform is clear of people and objects.

3. Use control switch to lower (DN) platform to the ground (FIG. 17-1). Release switch when platform reaches ground level.



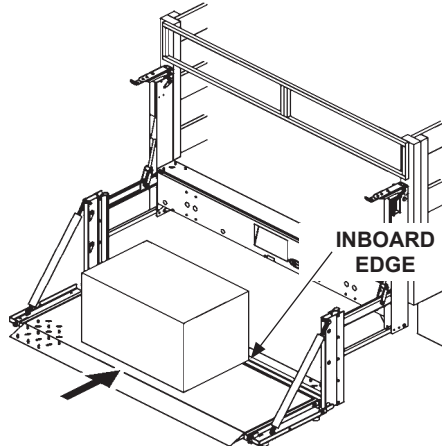
**LOWERING PLATFORM TO THE GROUND
FIG. 17-1**

LOADING VEHICLE

⚠ WARNING

A load should never extend past the edges of the platform. Do not place unstable loads on platform, do not allow load to exceed lifting capacity of Liftgate, and do not ride on the platform.

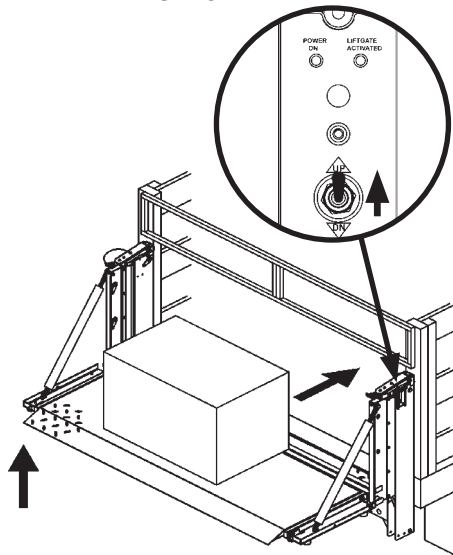
1. Place all loads as close as possible to the inboard edge of the platform with heaviest part toward the pickup bed as shown in **FIG. 18-1**. Move loads across the ramp (**FIG. 18-1**) to the platform, but never rest or raise loads solely on the flipover and ramp portion.



LOADING PLATFORM AT GROUND LEVEL

FIG. 18-1

2. Use switch to raise (**UP**) platform from ground level to bed height (**FIG. 18-2**). Release switch when platform reaches bed height.



RAISING LOADED PLATFORM TO BED HEIGHT

FIG. 18-2

3. Carefully move the load into vehicle (**FIG. 18-2**).

UNLOADING VEHICLE

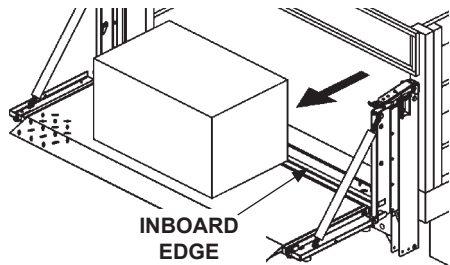
⚠ WARNING

A load should never extend past the edges of the platform. Do not place unstable loads on platform, do not allow load to exceed lifting capacity of Liftgate, and do not ride on the platform.

⚠ WARNING

Pulling the load from vehicle to platform can result in a fall from platform and serious injury. When unloading vehicle, always push the load out on the platform.

1. Unload the vehicle at bed level (FIG. 19-1) as follows. Push load out of the vehicle to correct position on the platform. Place all loads as close as possible to the inboard edge of the platform with heaviest part toward the vehicle body as shown in FIG. 19-1.

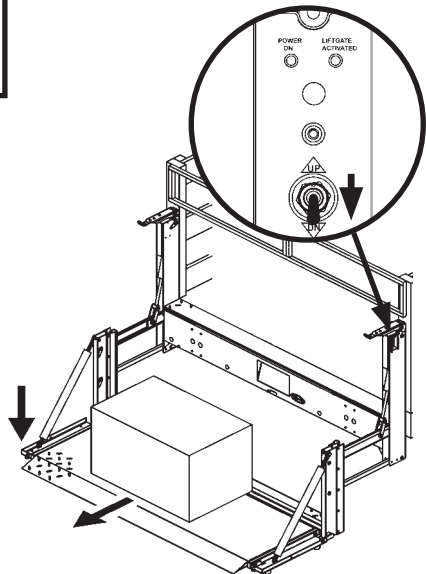


MOVING LOAD ON PLATFORM
FIG. 19-1

⚠ WARNING

Before lowering platform, make sure area surrounding platform is clear of people and objects.

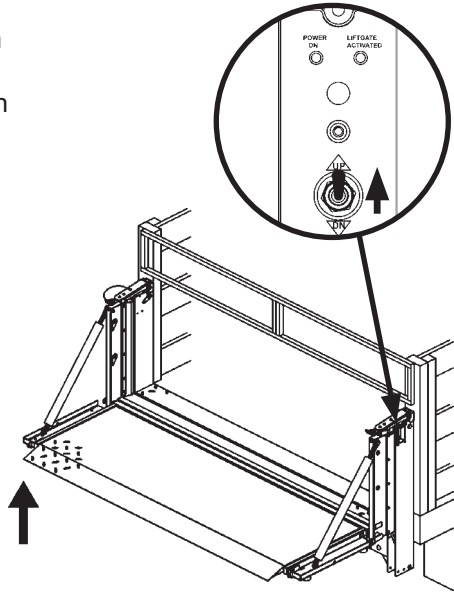
2. Use control switch to lower (DN) platform and load to the ground (FIG. 19-2). Release switch when platform reaches ground level.
3. Carefully move load off platform (FIG. 19-2) and then move it to a place where it will not become a hazard for people and other vehicles. If there is more to unload from vehicle, repeat the previous **UNLOADING VEHICLE** steps for each load. When unloading is finished, use **STOWING PLATFORM** procedure in this manual.



UNLOADING PLATFORM AT
GROUND LEVEL
FIG. 19-2

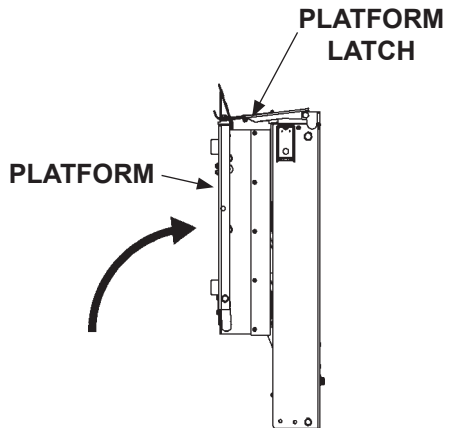
STOWING PLATFORM

1. Use switch to raise (**UP**) platform from ground level to bed height (**FIG. 20-1**). Release switch when platform reaches bed height.



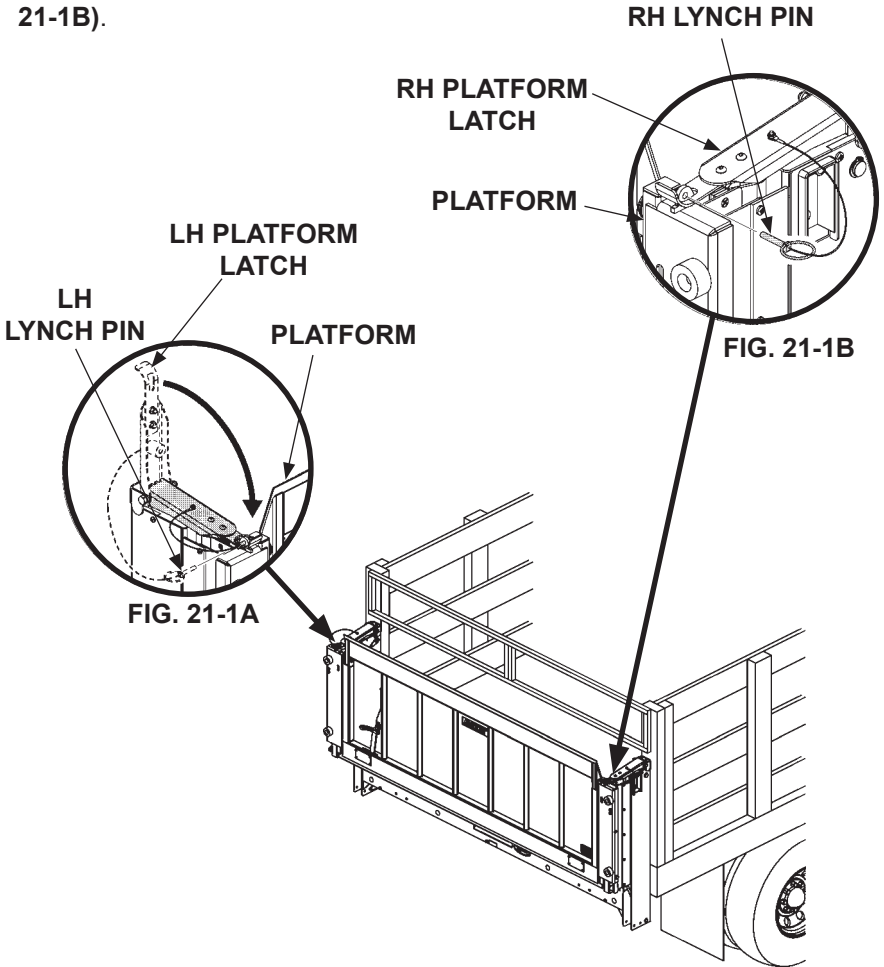
RAISING PLATFORM TO BED HEIGHT
FIG. 20-1

2. Fold platform upright against the columns (**FIG. 20-2**). Latch on the RH side automatically closes.



FOLDING PLATFORM
FIG. 20-2

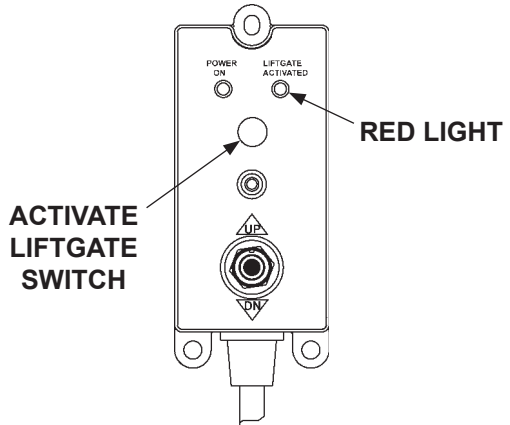
3. Pull the LH latch down and insert the LH lynch pin (FIGS. 21-1 and 21-1A). Next, insert RH lynch pin (FIGS. 21-1 and 21-1B).



**CLOSING LH LATCH AND INSERTING
LH & RH COLUMN PINS
FIG. 21-1**

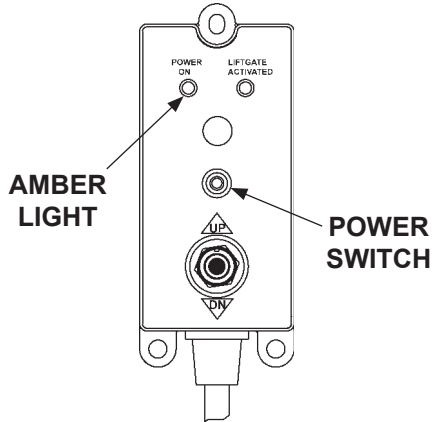
TURNING OFF POWER

1. Deactivate the Liftgate by pushing **ACTIVATED** switch 2 times in one second (**FIG. 22-1**). Red **ACTIVATED** light is off when Liftgate is deactivated.



**ACTIVATE LIFTGATE SWITCH
& INDICATOR LIGHT
FIG. 22-1**

2. Turn off power to Liftgate by pushing power switch on the Liftgate control (**FIG. 22-2**). Amber **POWER ON** light is off when power switch is turned off.



**POWER ON SWITCH &
INDICATOR LIGHT
FIG. 22-2**

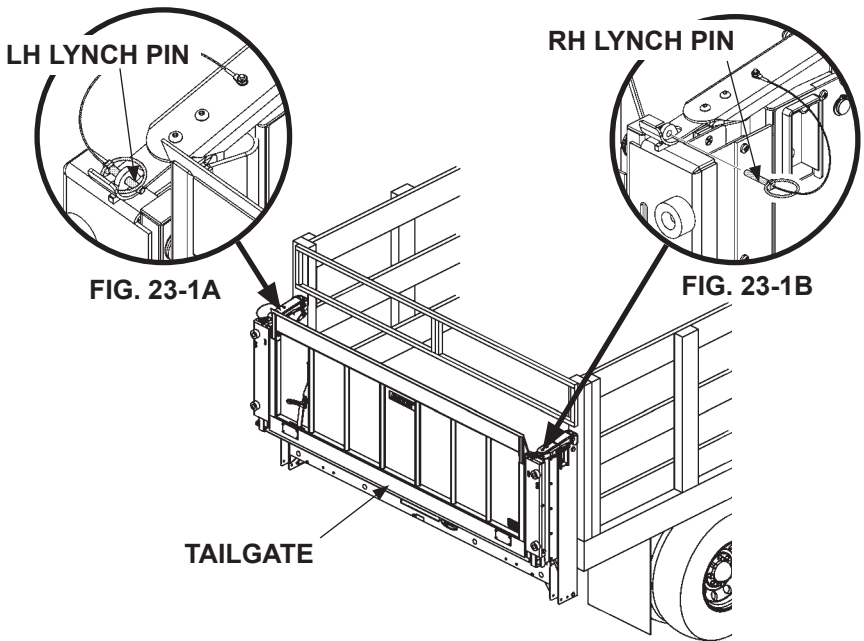
3. Liftgate is ready for transport.

OPERATING INSTRUCTIONS - USE AS A DUMP THROUGH TAILGATE UNLATCHING TAILGATE

CAUTION

To prevent personal injury and equipment damage, ensure platform is securely stowed and latched to columns before using tailgate to dump loads.

1. Ensure platform is latched in stowed position, and latches are secured with lynch pins (**FIGS. 23-1, 23-1A and 23-1B**).

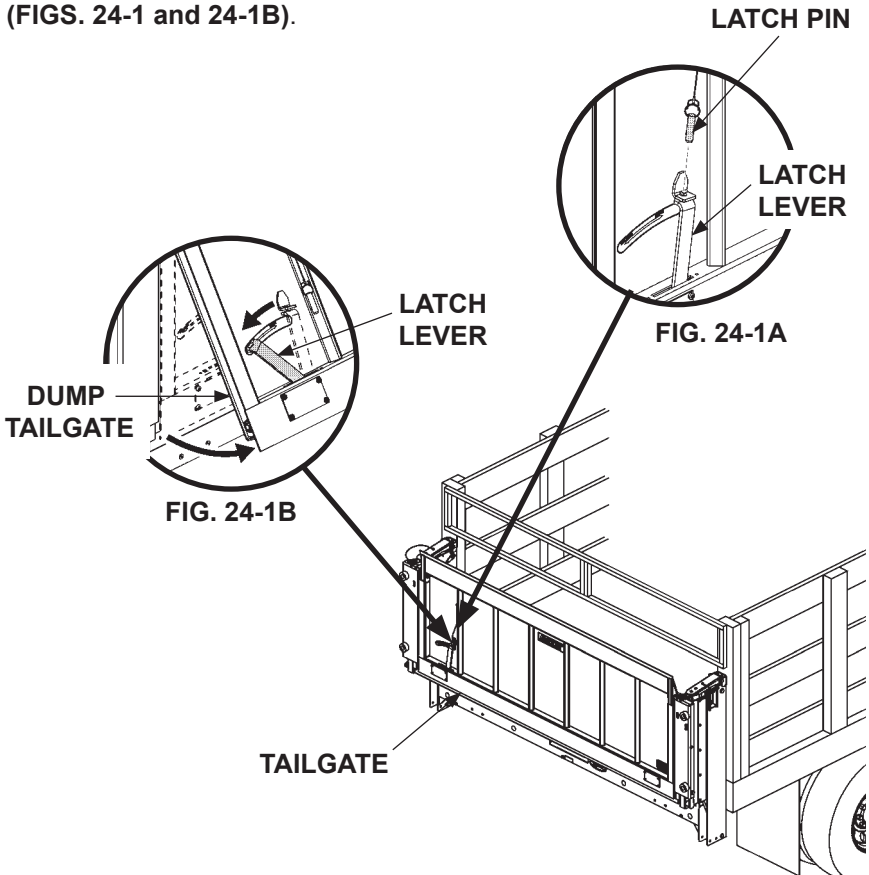


UNLATCHING TAILGATE - Continued

CAUTION

Never remove the latch pin from the latch lever with the dump body raised.

2. Remove the latch pin from the latch lever (FIGS. 24-1 and 24-1A).
3. Stand to the side of the liftgate. Pull the latch lever to the left to the **UNLATCH** position, and pull tailgate to disengage lower pins so tailgate can swing open (FIGS. 24-1 and 24-1B).

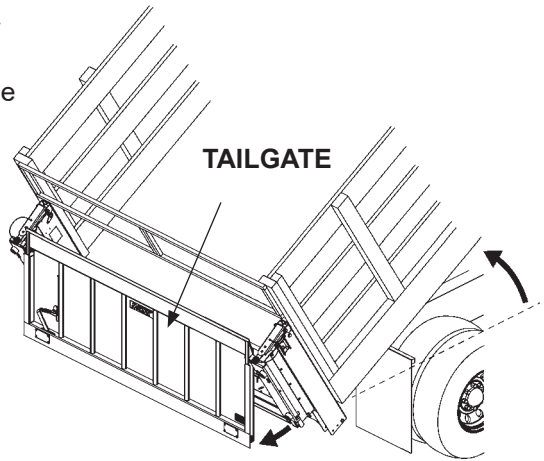


REMOVING LATCH PIN FROM LATCH LEVER
FIG. 24-1

⚠ WARNING

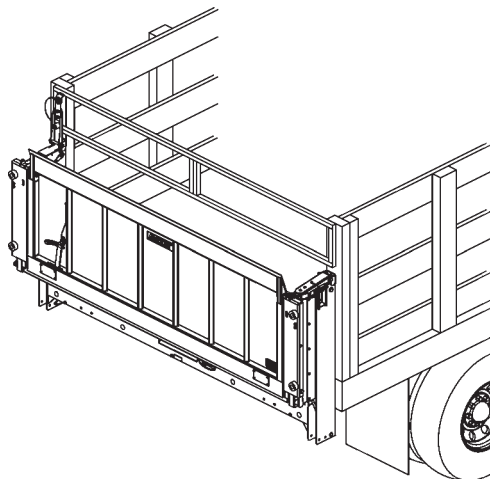
Keep hands, feet, limbs and body clear of swinging dump tailgate. Failure to comply can result in personal injury.

4. Ensure people and objects are clear of the swinging tailgate and load dumping area (**FIG. 25-1**). Use dump body controls on vehicle to raise the dump body and dump the load (**FIG. 25-1**).



DUMP BODY RAISED
FIG. 25-1

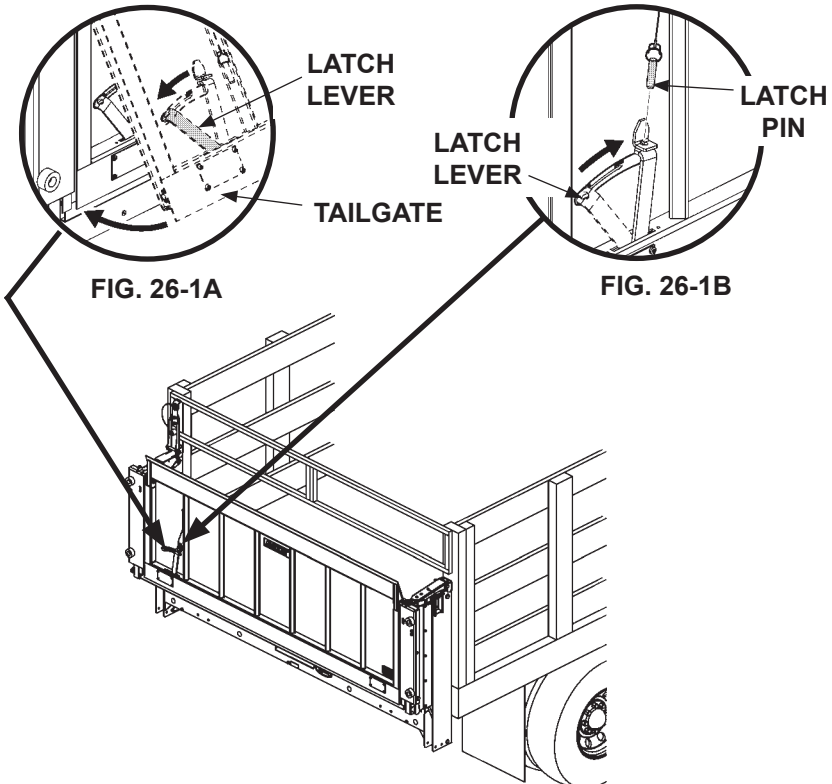
5. After load is dumped, use dump body controls on vehicle to lower the dump body all the way on vehicle chassis (**FIG. 25-2**).



DUMP BODY LOWERED
FIG. 25-2

LATCHING TAILGATE

1. To secure the tailgate, lower the truck body completely (**FIG. 26-1**). Pull the latch lever to the left, and push the bottom of the tailgate to close (**FIG. 26-1A**). Next, push the tailgate latch lever to the latch position, and install the latch pin in the latch lever (**FIG. 26-1B**).



LATCHING TAILGATE
FIG. 26-1

2. Liftgate and dump tailgate are ready for transport.

