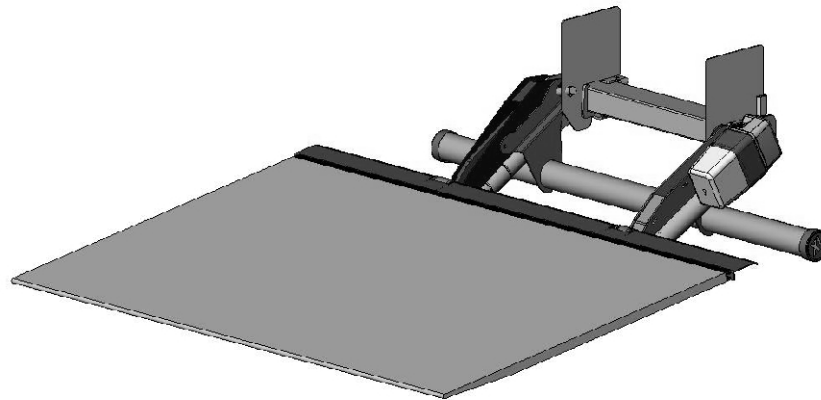


# MAXON®

## Cantilever

### Spare Parts Catalogue



**Cantilever  
GPC 22 X1**

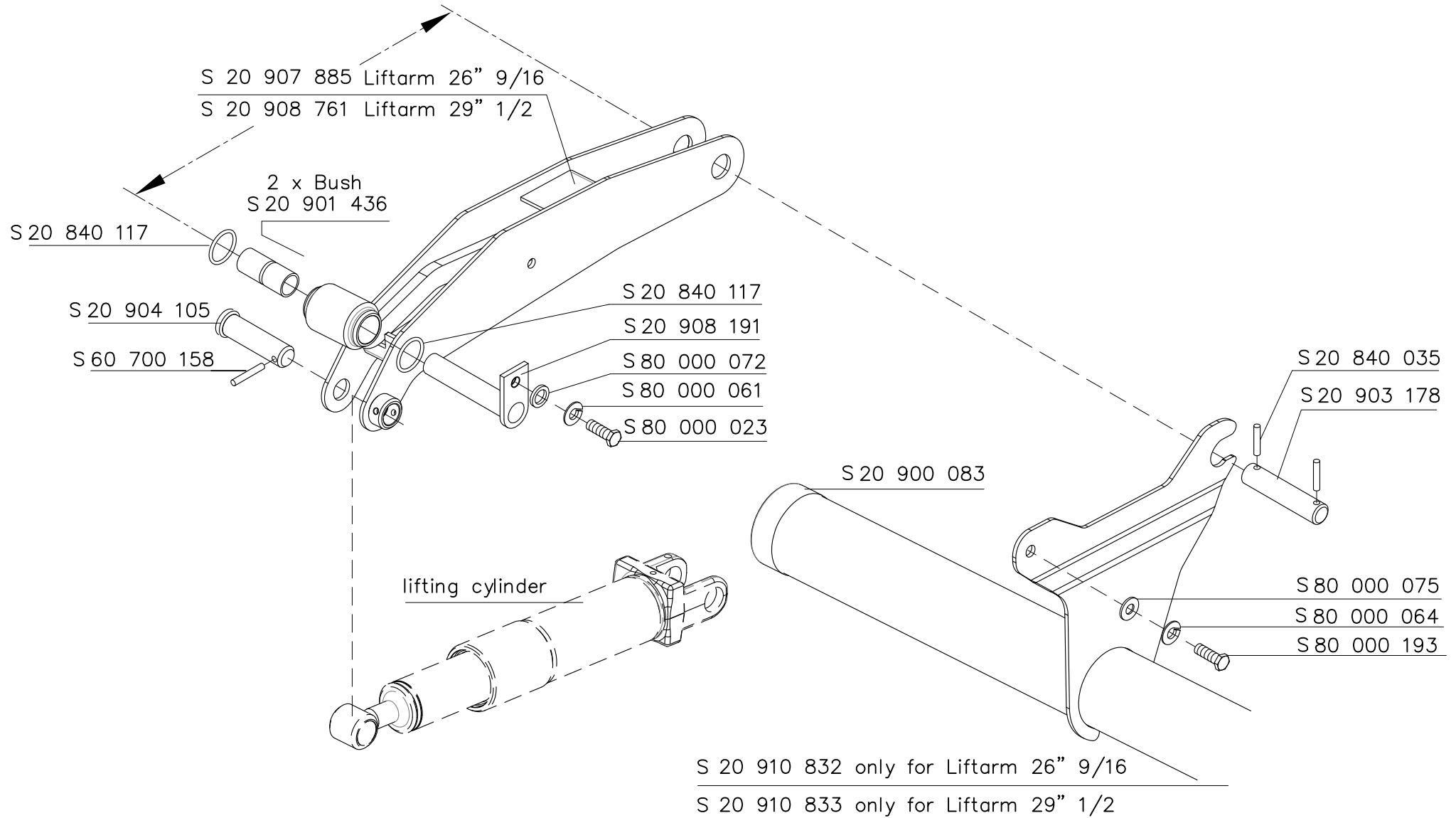
**X1**  
TECHNOLOGY

Document no. S 20 907 225  
Print date 01.10.2015  
© Sörensen Hydraulik GmbH

# Lifting mechanism left hand

Liftarm 29" 1/2

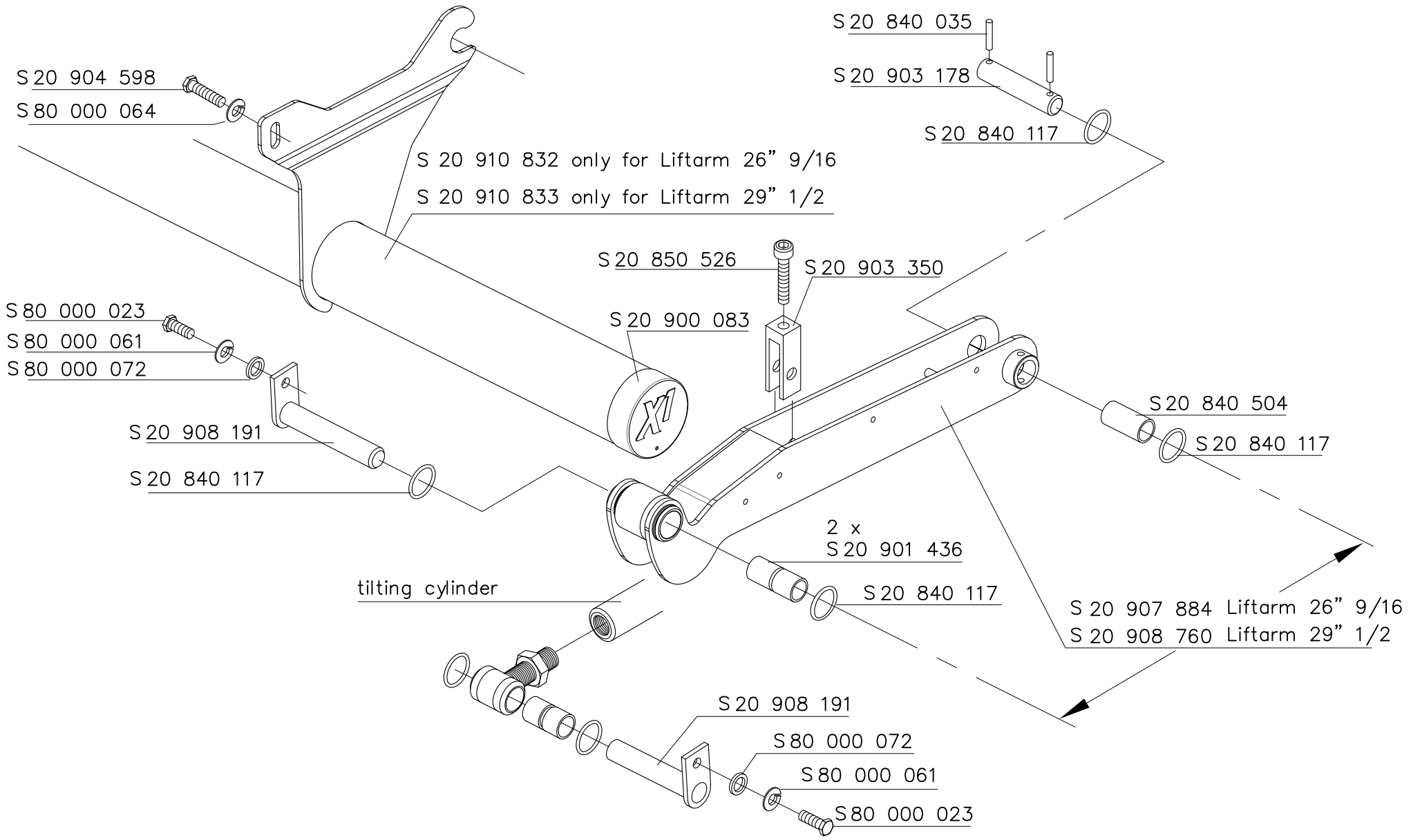
Liftarm 26" 9/16



# MAXON®

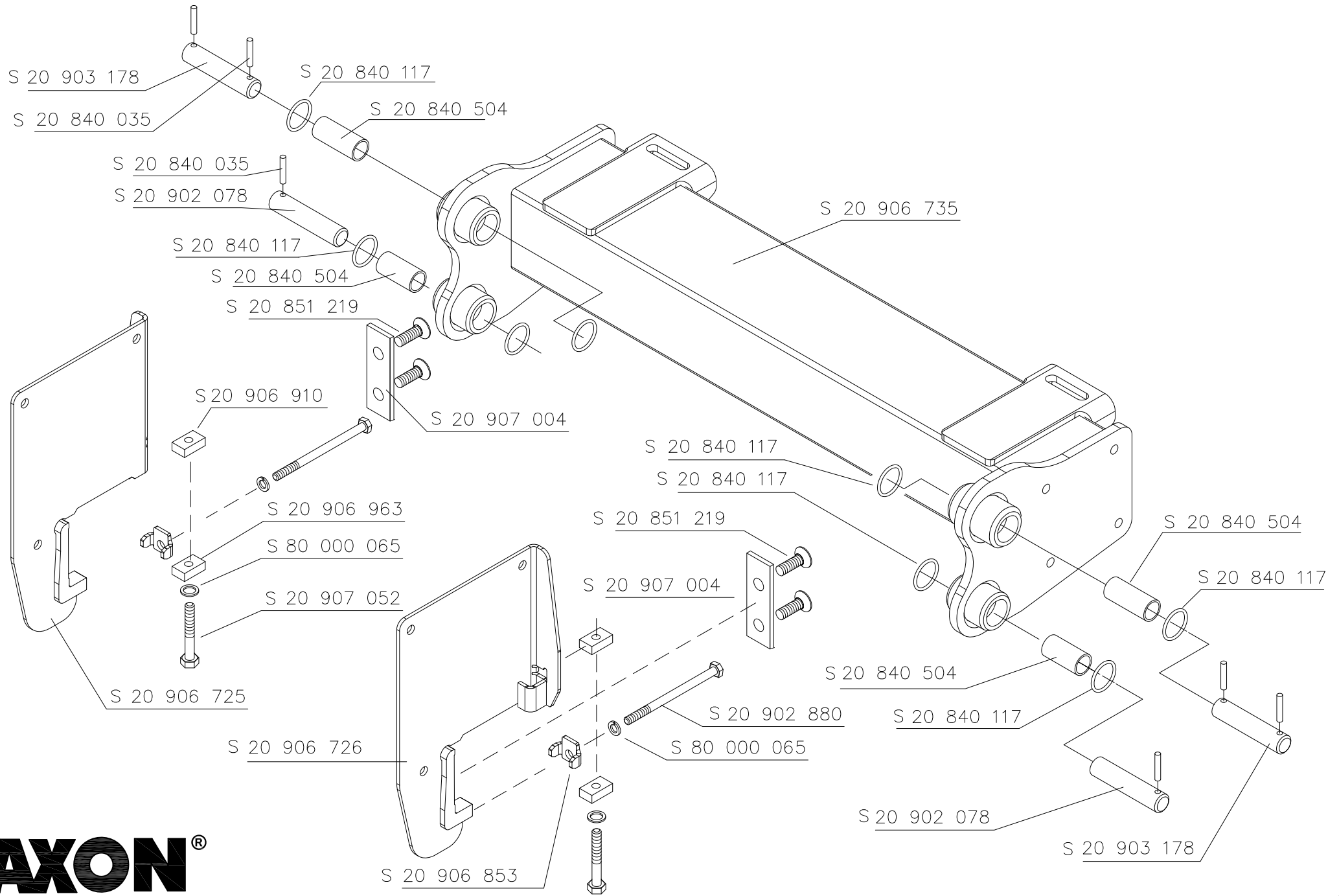
GPC 22 X1

# Lifting mechanism right hand



GPC 22 X1

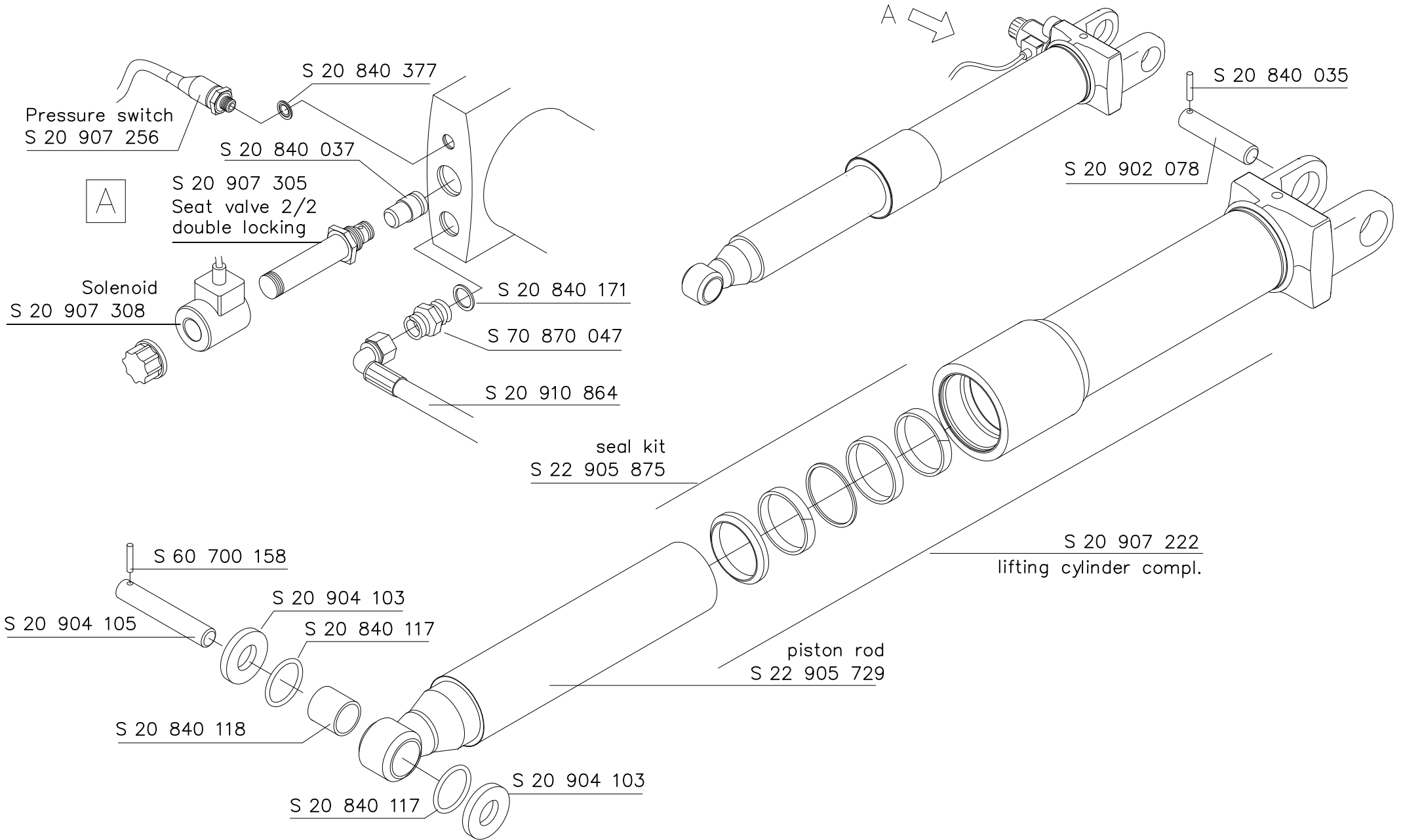
# Lifting mechanism



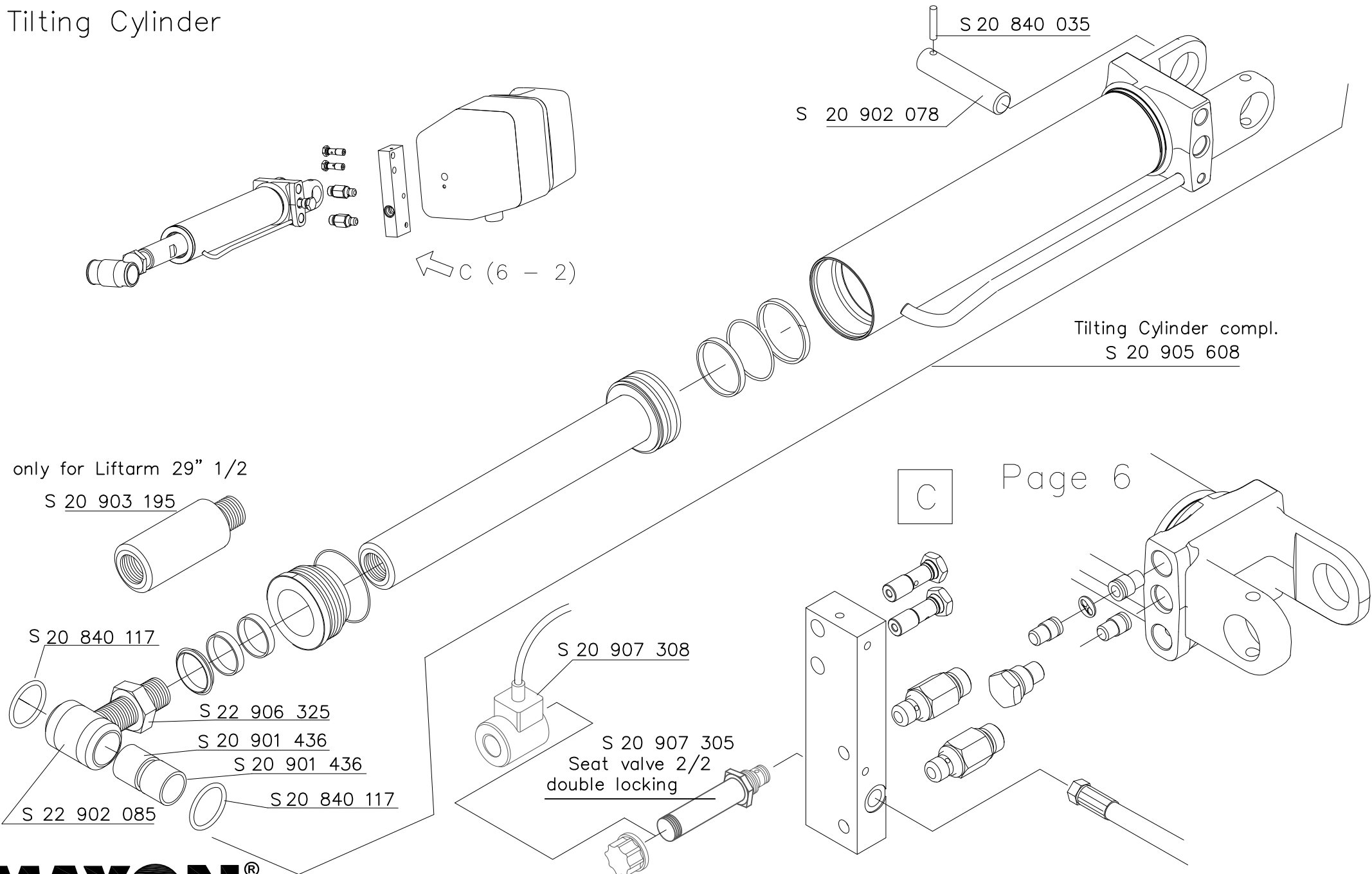
**MAXON®**

GPC 22 X1

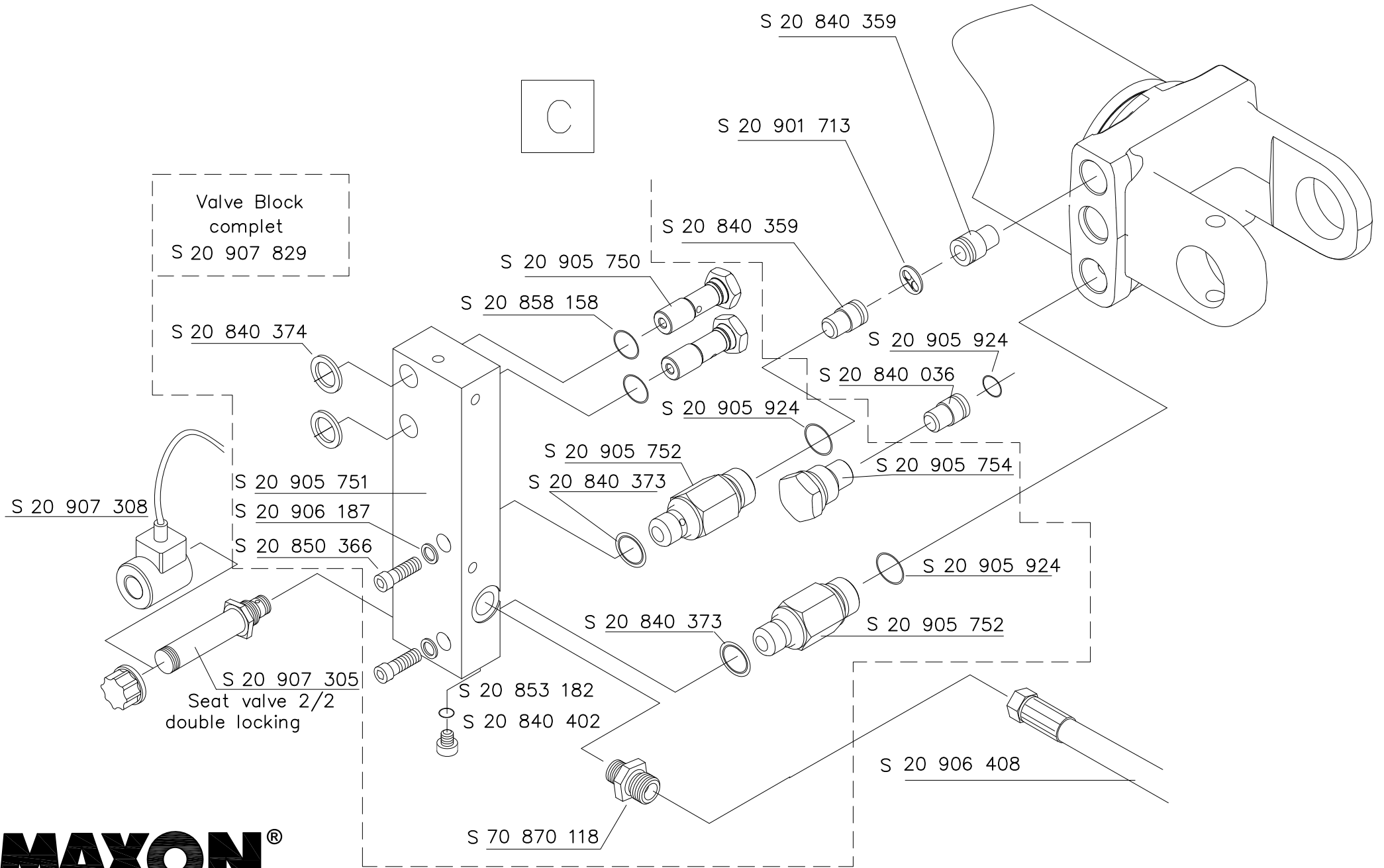
# Lifting Cylinder GPC 22 X1



# Tilting Cylinder

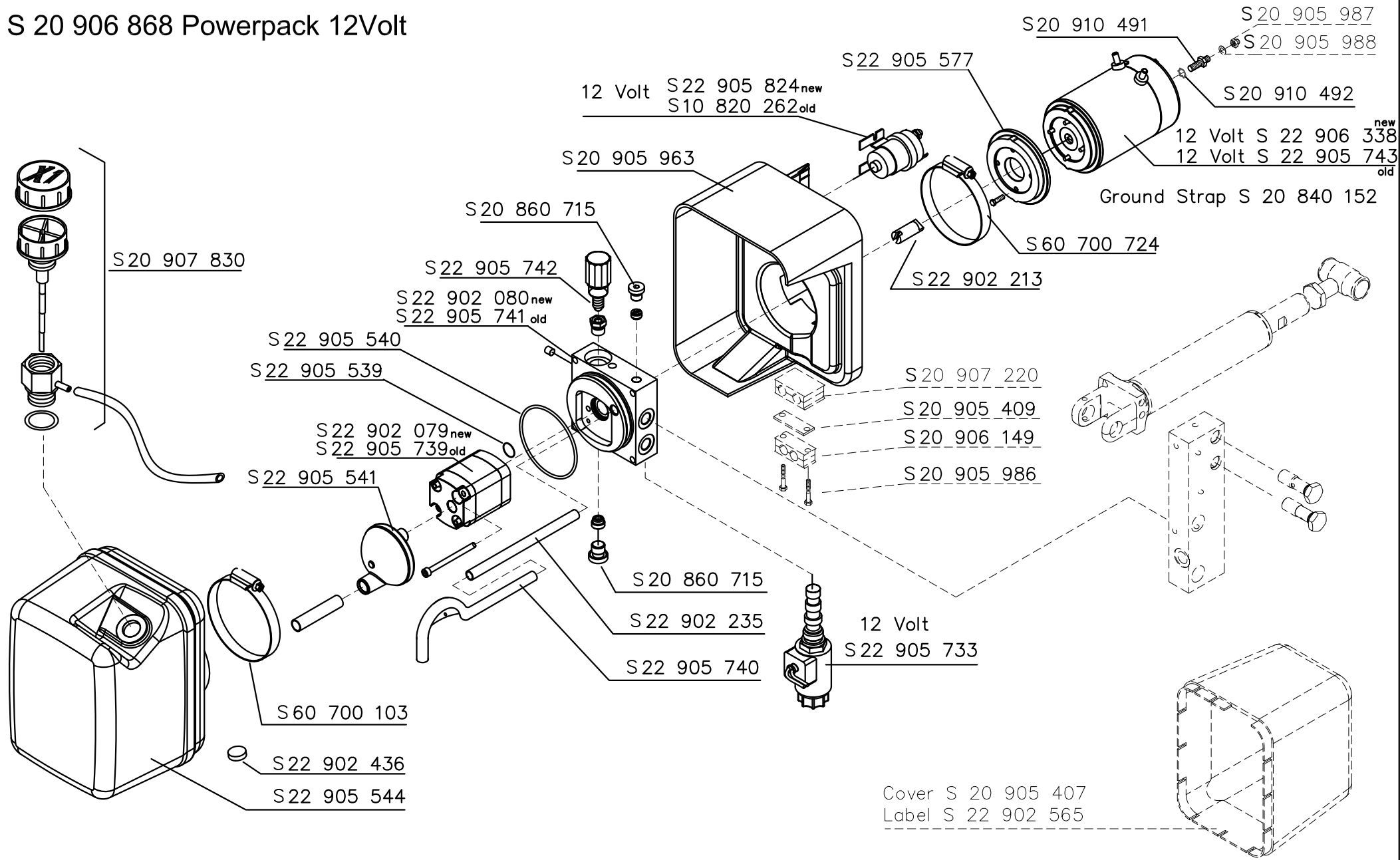


# Valve Block



**MAXON**<sup>®</sup>  
**GPC 22 X1**

# S 20 906 868 Powerpack 12Volt

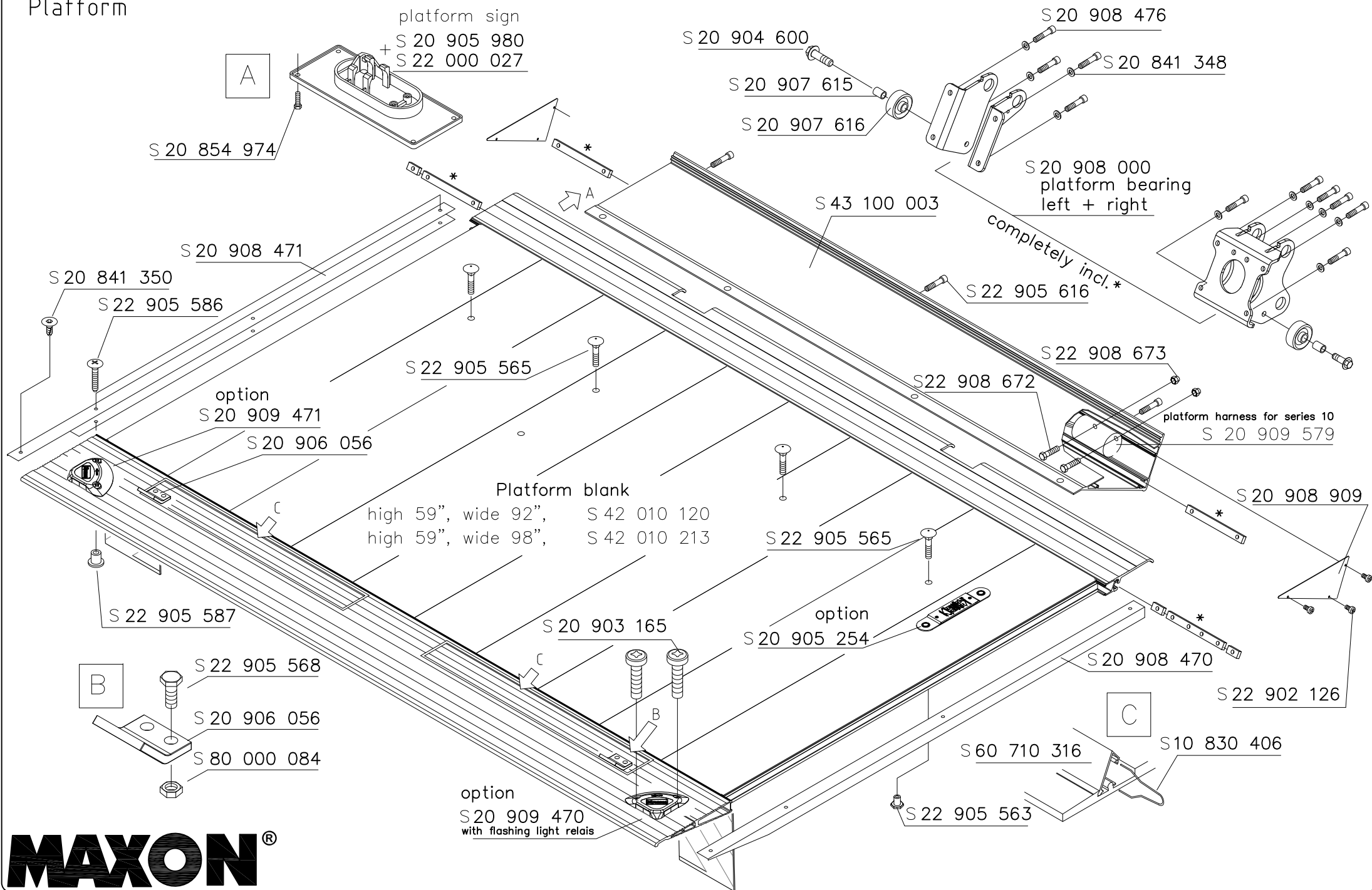


**MAXON**<sup>®</sup>

GPC 22 X1



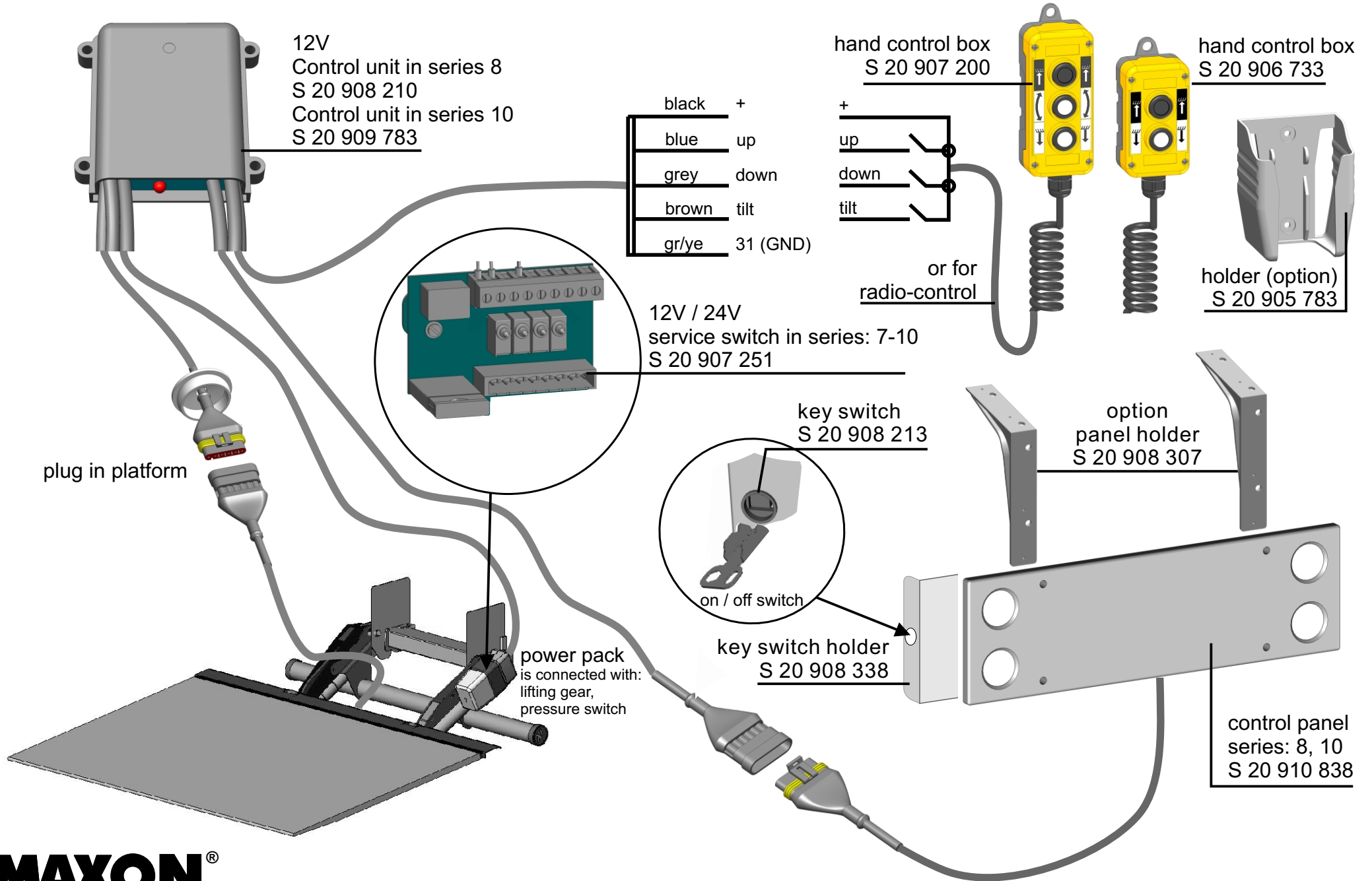
# Platform



**MAXON**®

GPC 22 X1

Document no.: S 20 907 225  
 Series 10  
 Version 29.09.2015



**MAXON**®

GPC 22 X1

Document no.: S 20 907 225  
Series 10, page 9  
Version 01.10.2015

# GPC 22 platform cable-set Series 10

LED-warning-flashing-light  
S 20 909 471

cable-set with flash-light  
and without food-control  
S 20 909 578

cable-set without flash-light  
and without food-control  
S 20 909 579

to Control-Unit

sensor S2 switch

Foot-control  
S 20 905 254

Foot-control and LED-warning-flashing-light  
is not included in the cable-set/platform harness  
S 20 909 579

LED-warning-flashing-light  
S 20 909 470

# MAXON®

GPST 44 X1

Document-no.: S 20 907 225  
series 10  
Version 05.10.2015

# Elektrical connection GPC X-1 and X-4 standard liftgate at series 11

Control-Unit with service switch Series 11  
(in the powerpack) with plugs for harness

harness  
Part.-No. S 20 911 365

option harness  
Part.-No. S 20 911 494  
for cabled remote

3-button cabled remote  
Part.-No. S 20 911 191  
2-button cabled remote  
Part.-No. S 20 911 190

harness  
Part.-No. S 20 911 364

\*4 plug connection  
2 or 3 button cabled remote

\*3 connection plug  
platform

\*2 connection plug  
MAXON control panel

MAXON control panel  
Part.-No. S 20 912 464

\*5 option harness  
Part.-No. S 20 911 495  
for radio control remote

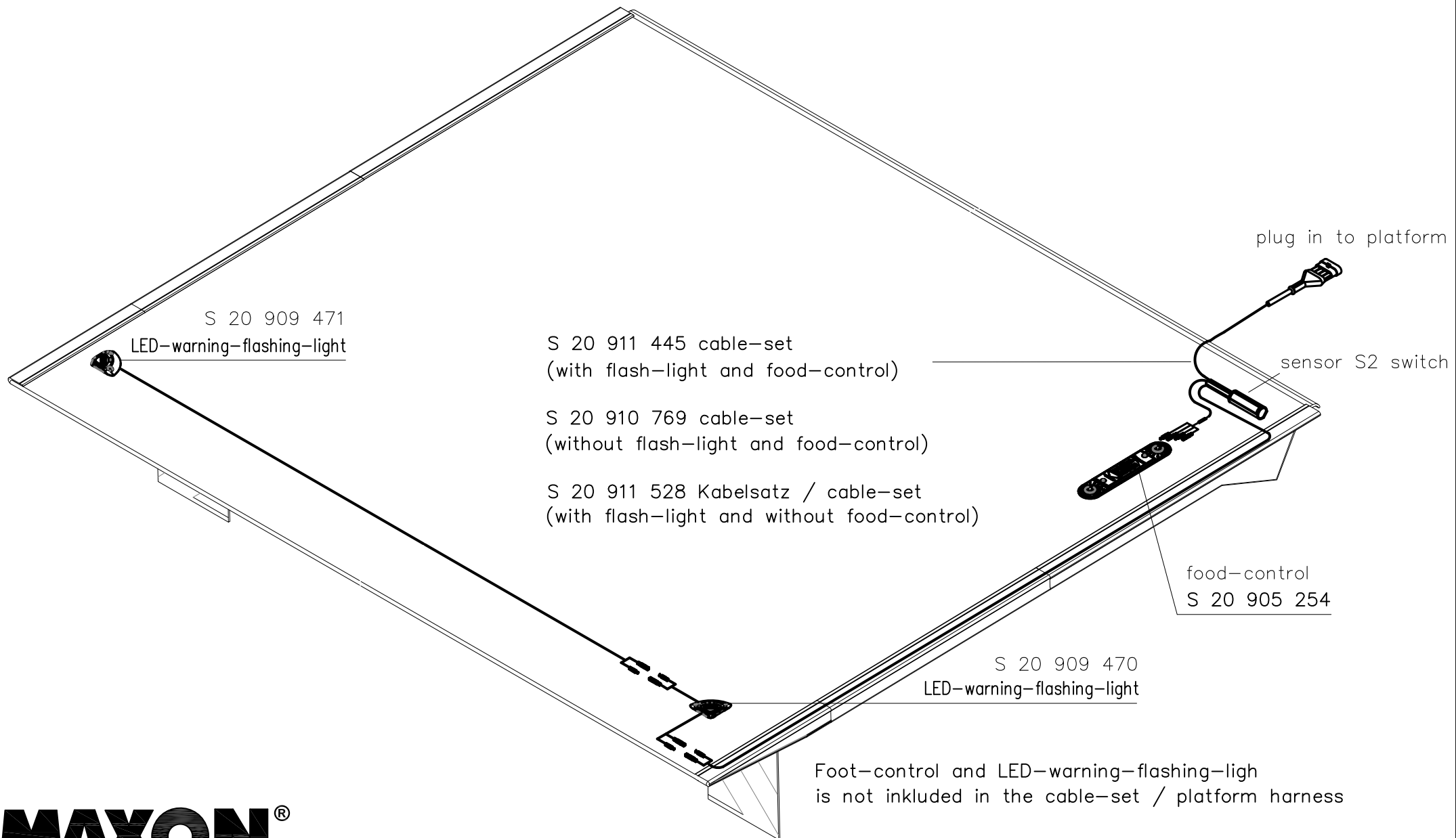
cabin switch on / off  
for liftgate  
Part.-No. S 20 906 974

option:  
control-LED  
Part.-No. S 20 905 547

\*1 ETMA- connection plug  
liftgate on / off switch

**MAXON**<sup>®</sup>

platform set of cables at series 11, GPC X-1 and GPC X-4 standard

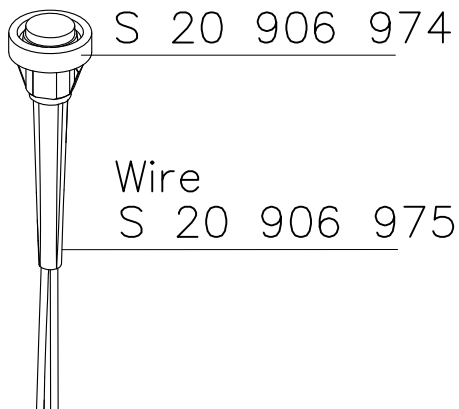


**MAXON**<sup>®</sup>

GPC X1 - X4 standard

Series 11  
Stand 10.2020

GPC X-1 and GPC X-4 standard Control Unit series 11, Control Panel

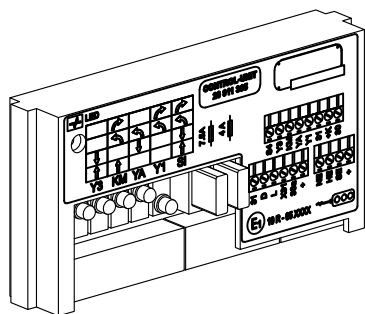


S 20 906 974

Wire

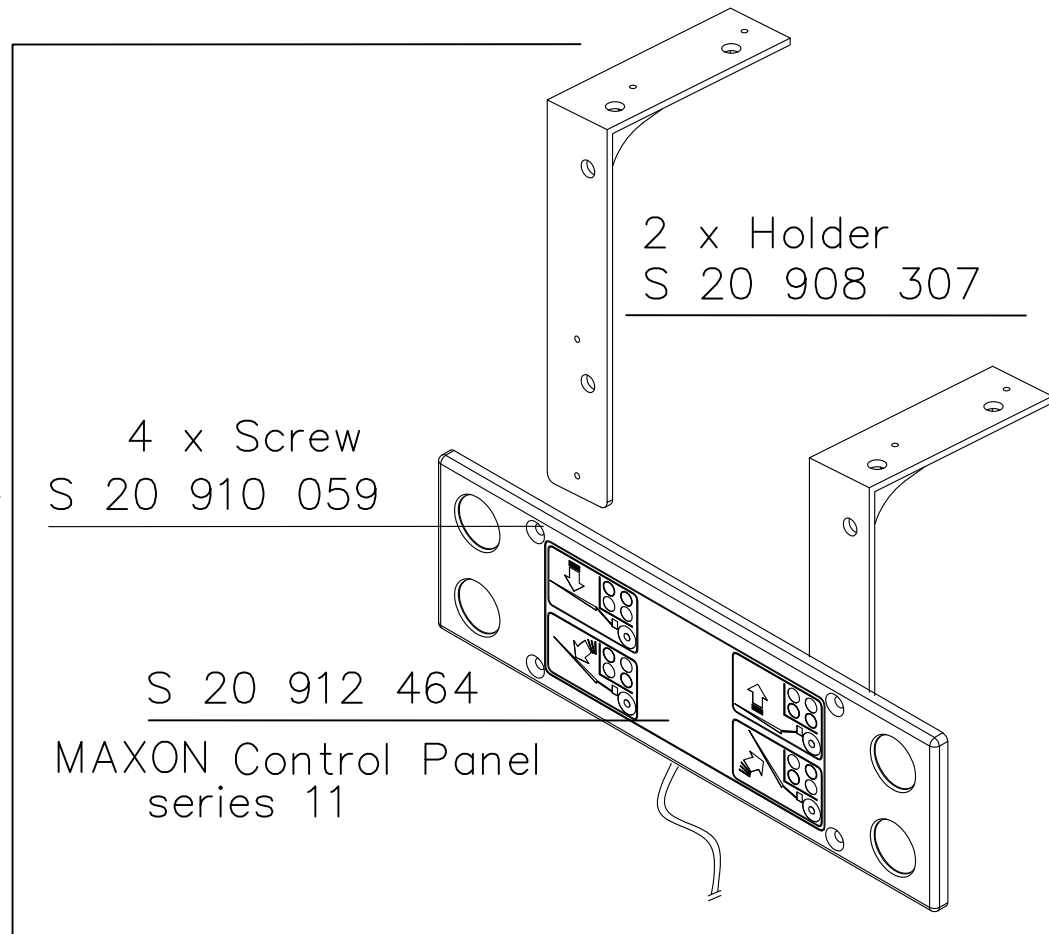
S 20 906 975

MAXON  
Control Panel  
with Screws  
incl. Holder  
S 20 912 465



S 20 912 567

MAXON  
Control Unit Series 11  
with Service Switch



2 x Holder  
S 20 908 307

4 x Screw  
S 20 910 059

S 20 912 464

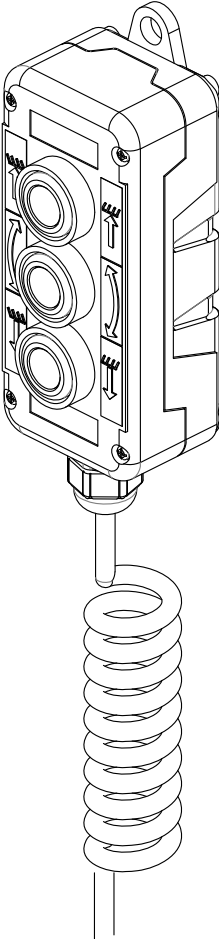
MAXON Control Panel  
series 11

S 20 911 364 with out picture cable-set for Control Unit series 11

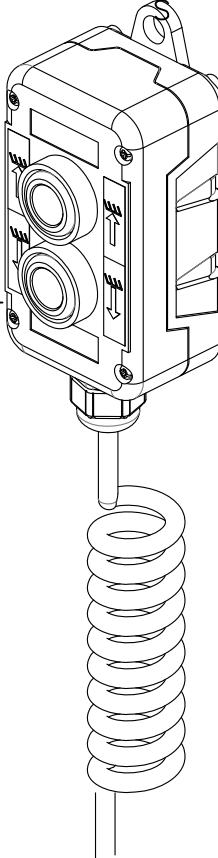
S 20 911 359 with out picture cable-set for Powerpack Series 11

Option Cabled remote

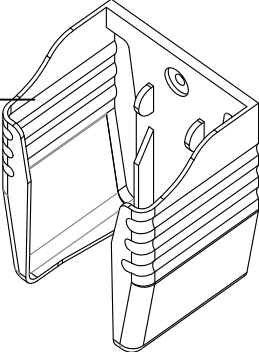
3-Button  
cabled remote  
S 20 911 191



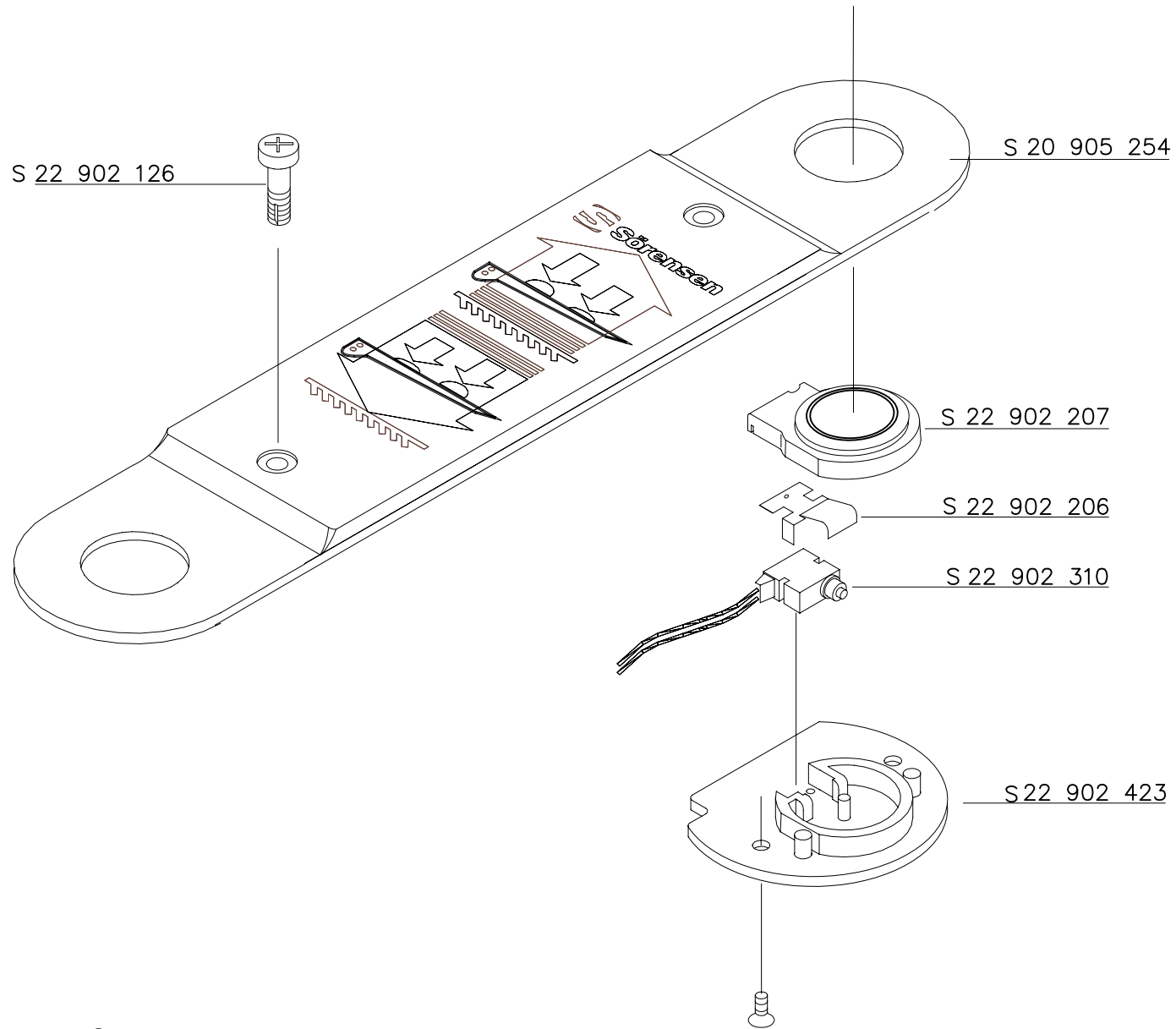
2-Button  
cabled remote  
S 20 911 190



Holder  
S 22 905 783



# Option Footcontrol



**MAXON**®

GPC 22 X1