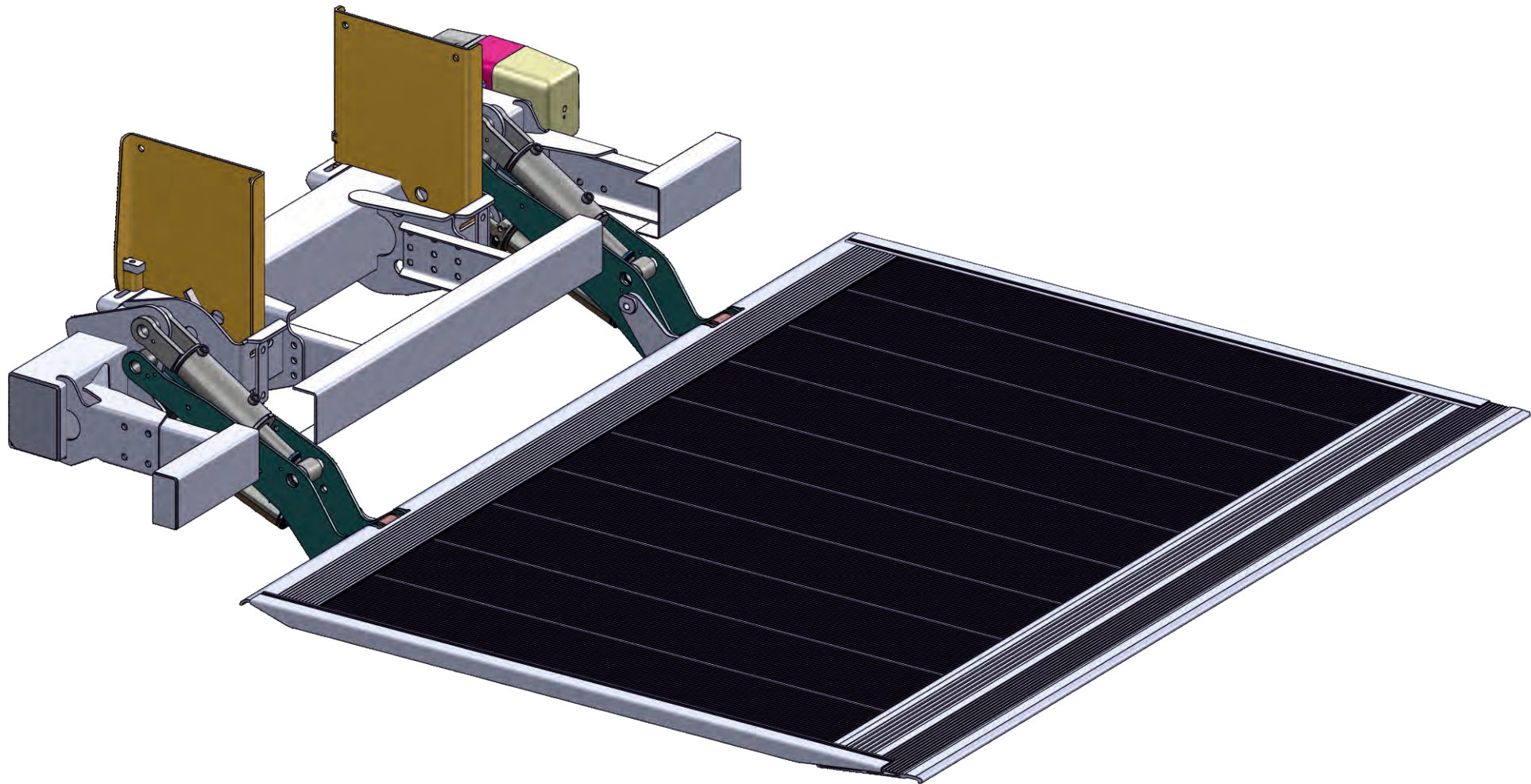


MAXON[®]

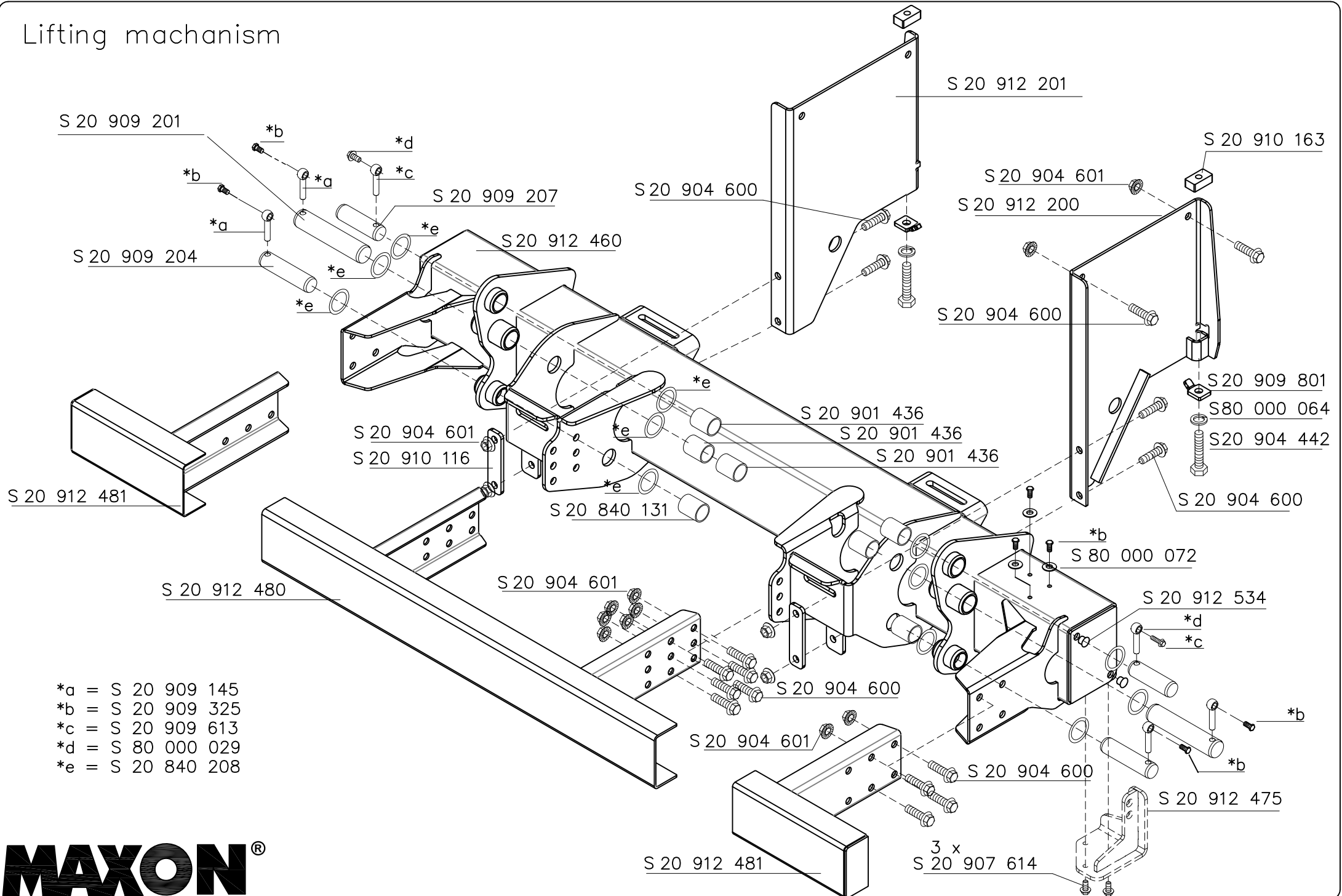
Spare Parts Catalogue GPC 33 X-4



Document no.: S 20 912 535
Version 2020

MAXON[®] Lift CORP. 11921 Slauson Avenue. Santa Fe Springs, CA 90670 (800) 227 - 4116

Lifting mechanism

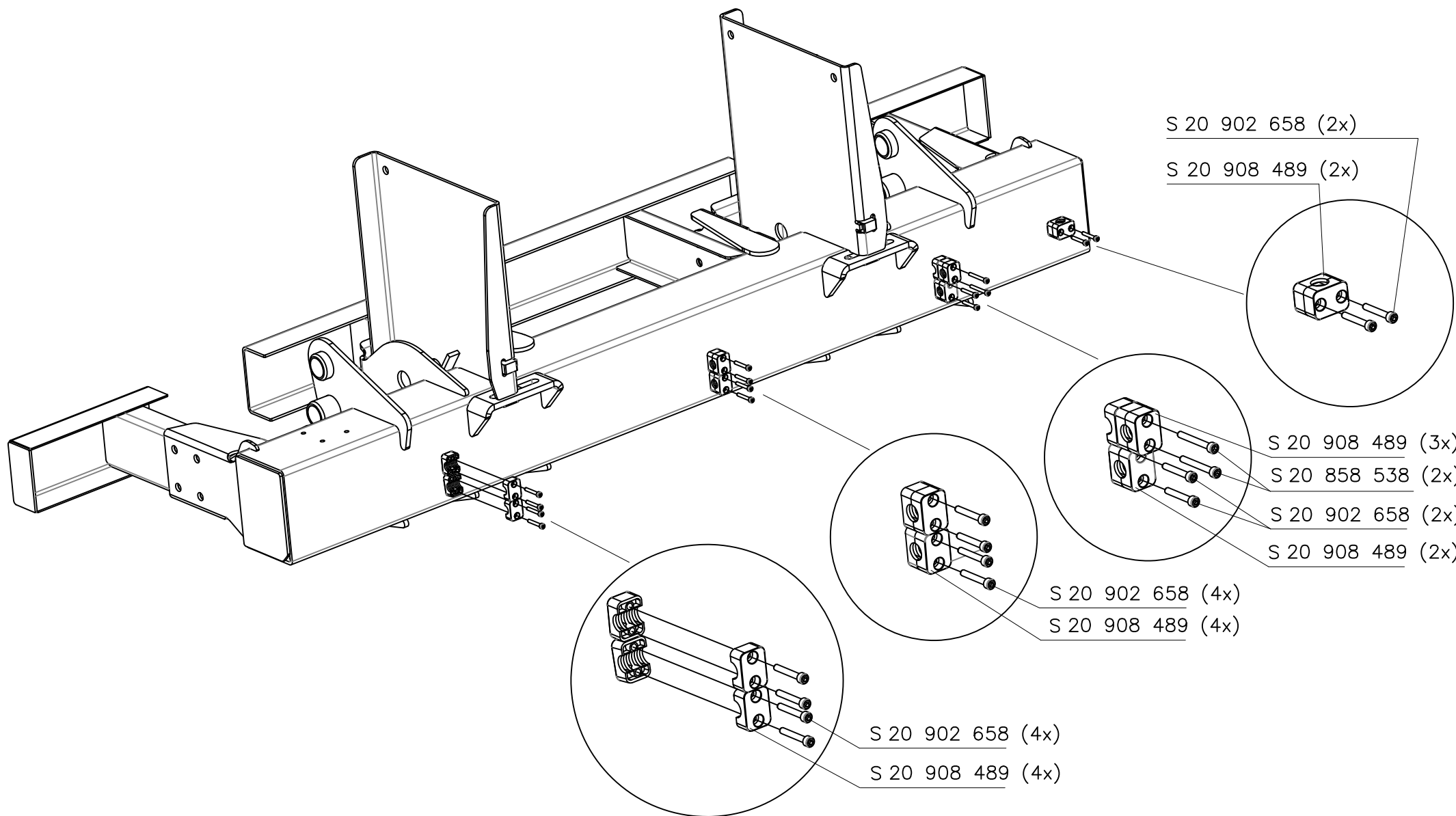


- *a = S 20 909 145
- *b = S 20 909 325
- *c = S 20 909 613
- *d = S 80 000 029
- *e = S 20 840 208



GPC 33 X-4

Lifting mechanism



MAXON[®]

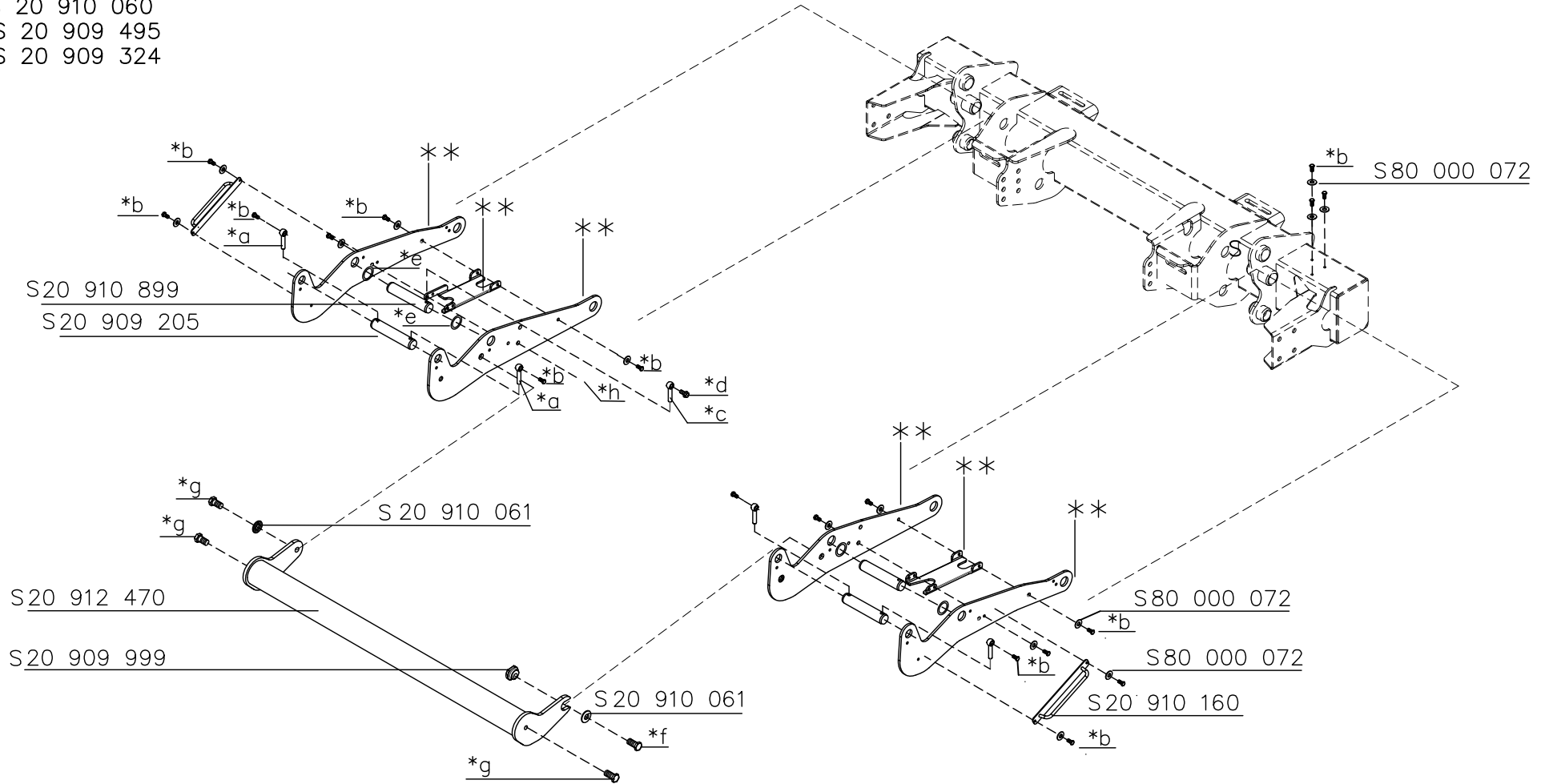
GPC 33 X-4

Lifting machanism

- *a = S 20 909 145
- *b = S 20 909 325
- *c = S 20 909 613
- *d = S 80 000 029
- *e = S 20 840 208
- *f = S 20 910 060
- *g = S 20 909 495
- *h = S 20 909 324

** completely lifting mechanism

29" ½ (750mm): S 20 912 466



Tilting cylinder right S 20 912 396

S 20 912 396

Arm length:
 25" 3/5 (650 mm)
 29" 1/2 (750 mm)

Seal kit

S 20 910 880

Arm length extension for 29" 1/2

S 20 840 117

S 20 840 131

S 20 840 391

S 20 906 380

S 20 906 380

S 20 840 117

B

ø2,0 S 20 840 036

S 20 905 924

S 20 909 132

S 70 870 008

S 70 870 017

S 70 870 063

S 20 912 402

S 70 870 063

S 20 910 018

S 20 910 018

B

S 60 710 112

S 20 901 713

ø1,1
 S 20 840 090

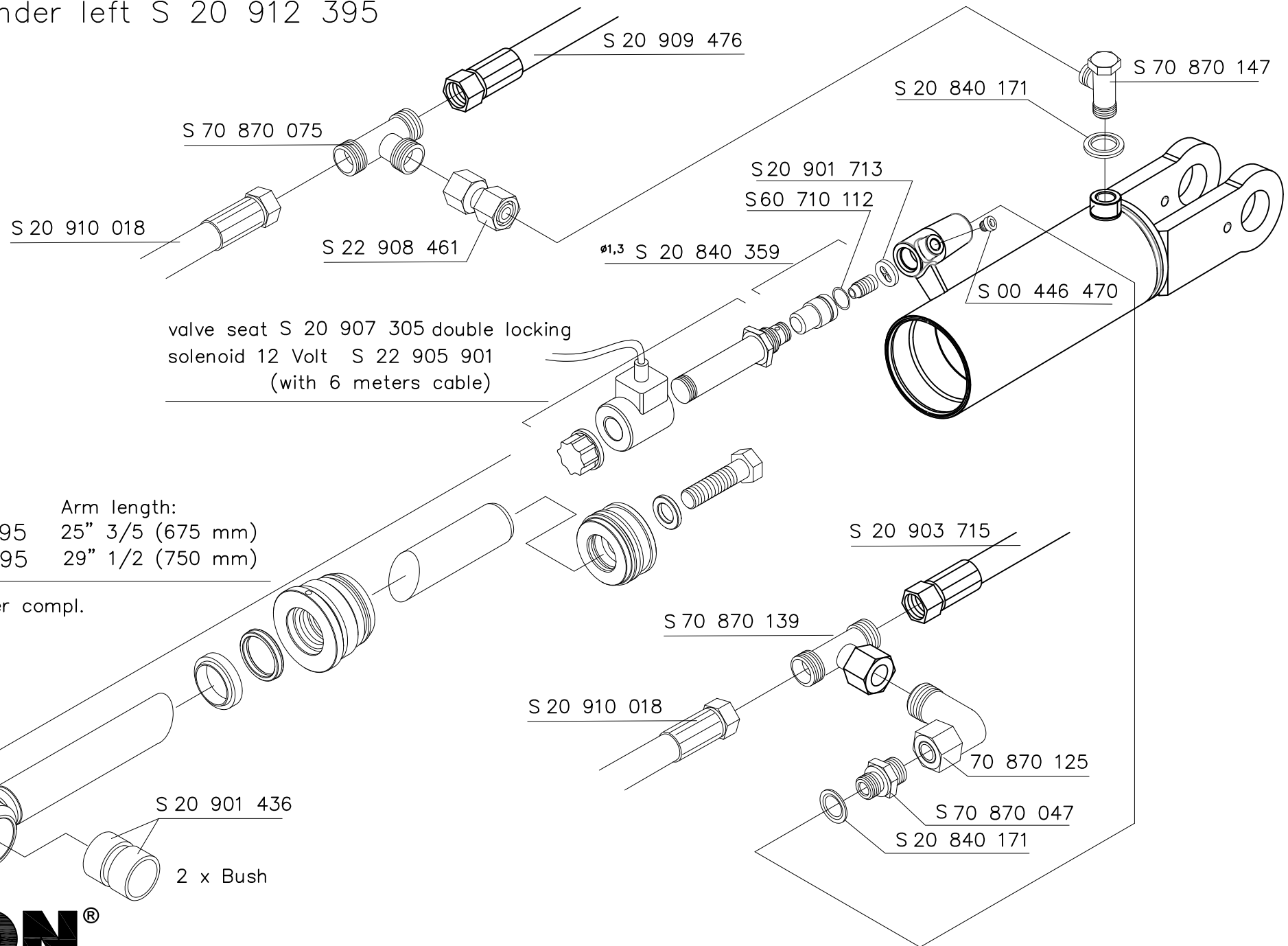
ø1,1
 S 20 840 090

valve seat S 20 907 305 double locking
 solenoid 12 Volt S 20 907 308
 with 3 Meter cable

MAXON®

GPC 33 X-4

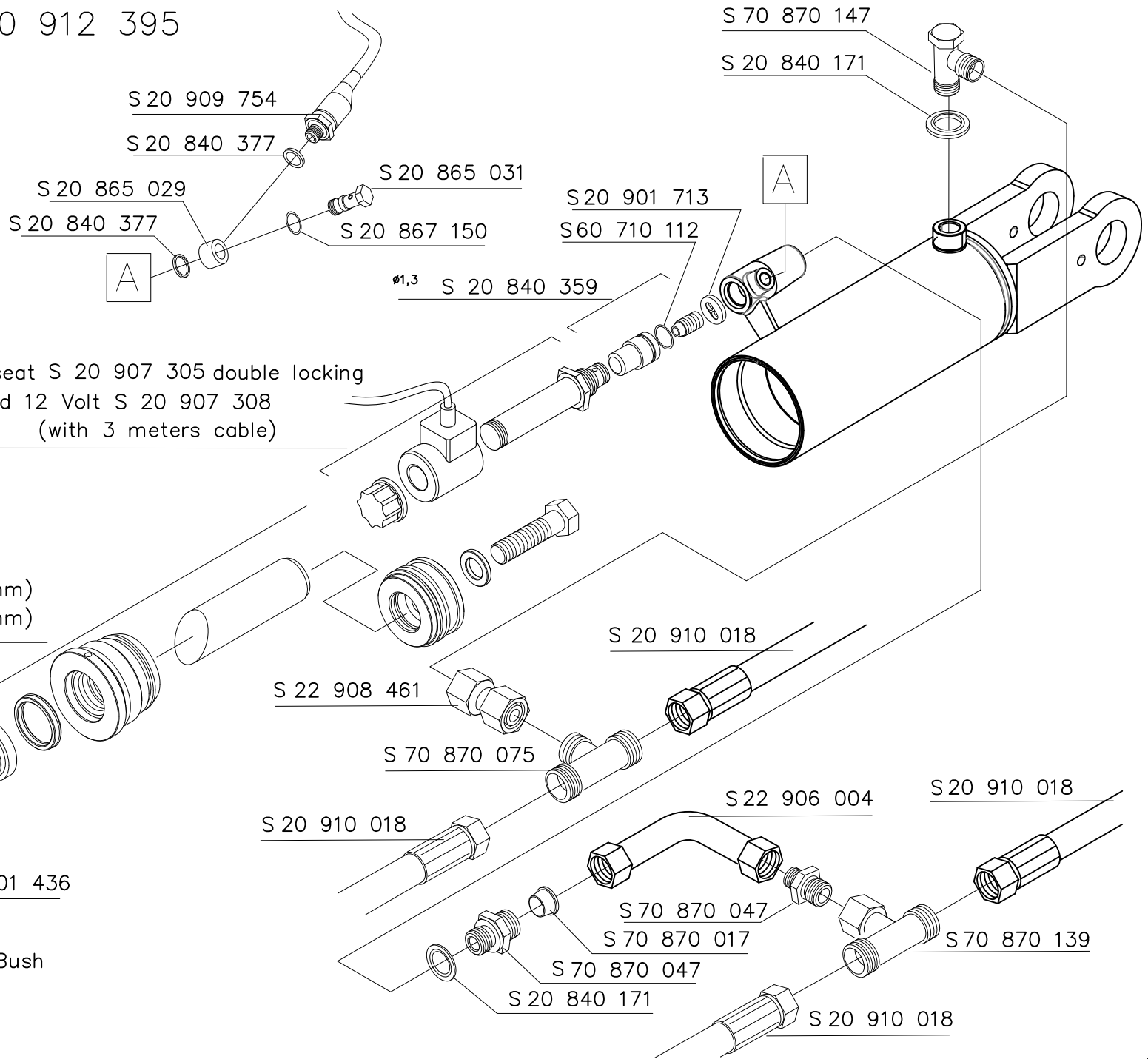
Lifting Cylinder left S 20 912 395



MAXON[®]

GPC 33 X-4

Lifting cylinder right S 20 912 395



valve seat S 20 907 305 double locking
 solenoid 12 Volt S 20 907 308
 (with 3 meters cable)

Arm length:
 S 20 912 395 25" 3/5 (675 mm)
 S 20 912 395 29" 1/2 (750 mm)

Lifting Cylinder compl.

S 20 901 436
 2 x Bush



Tilting cylinder left S 20 912 396

S 20 912 396

Arm length:
 25" 3/5 (650 mm)
 29" 1/2 (750 mm)

seal kit

B

S 20 910 880

Arm length extension for 29" 1/2

S 20 840 117

S 20 840 131

S 20 840 391

S 20 906 380

S 20 840 117

S 20 906 380

B

S 20 840 090

ø1,1

S 20 901 713

ø1,1 S 20 840 090

valve seat S 20 907 305 double locking
 solenoid 12 Volt S 22 905 901
 with 6 Meter cable

ø2,0

S 20 840 036

S 20 905 924

S 20 909 132

S 70 870 008

S 70 870 017

S 70 870 063

S 20 910 018

S 20 912 402

S 70 870 063

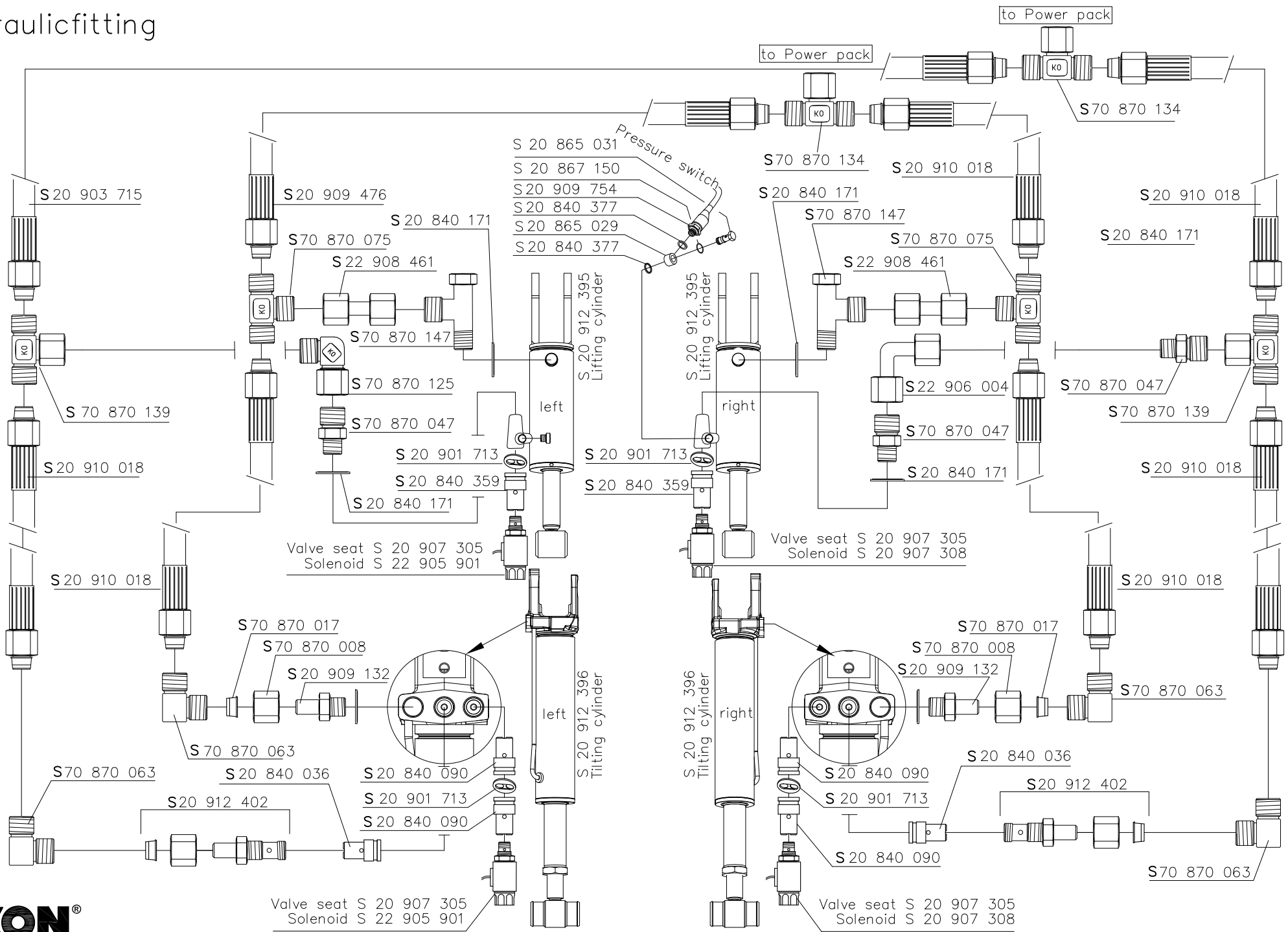
S 20 910 018

MAXON®

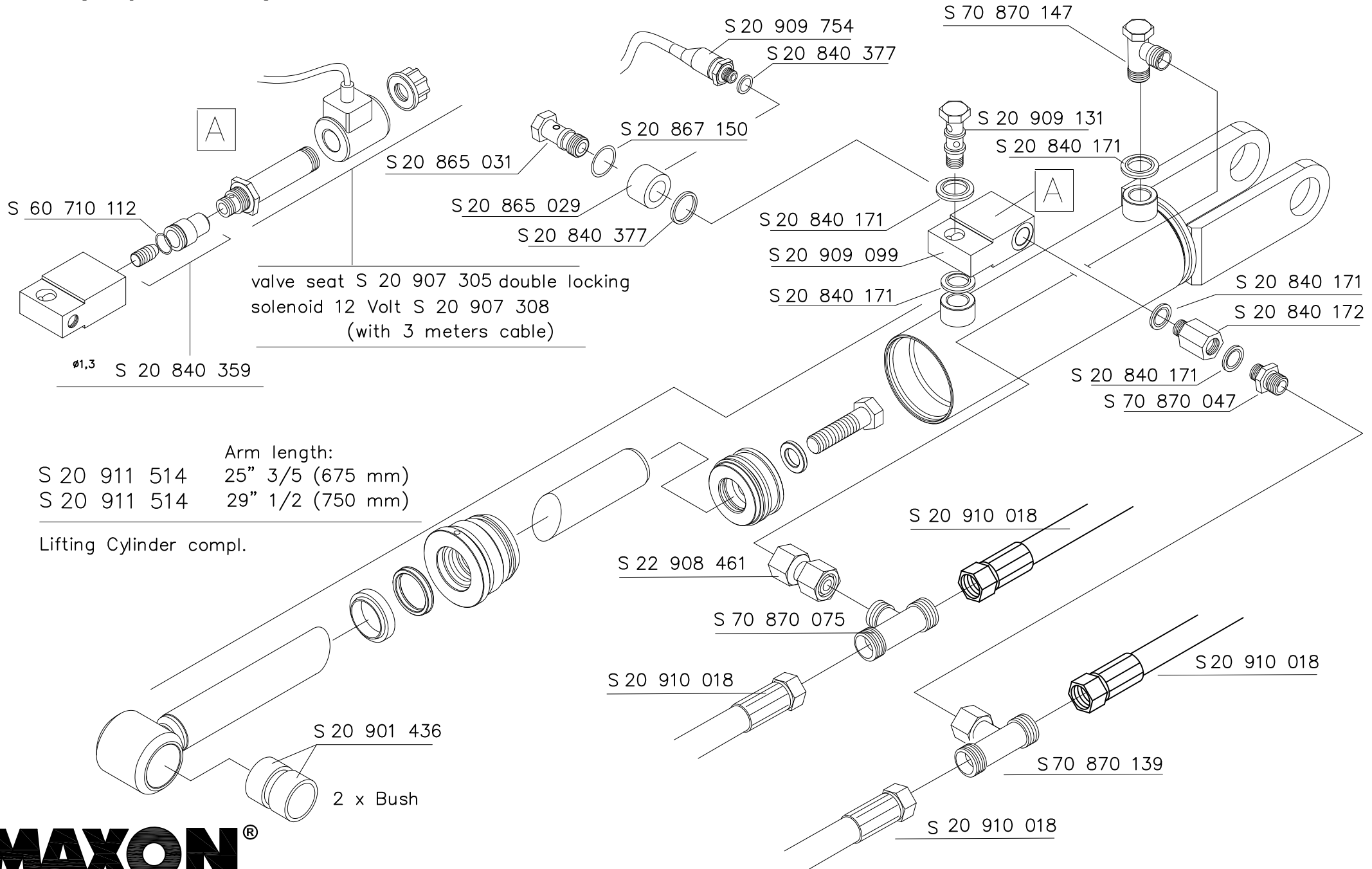
GPC 33 X-4

Document no.: S 20 912 535
 Version 01.2021

Hydraulic fitting



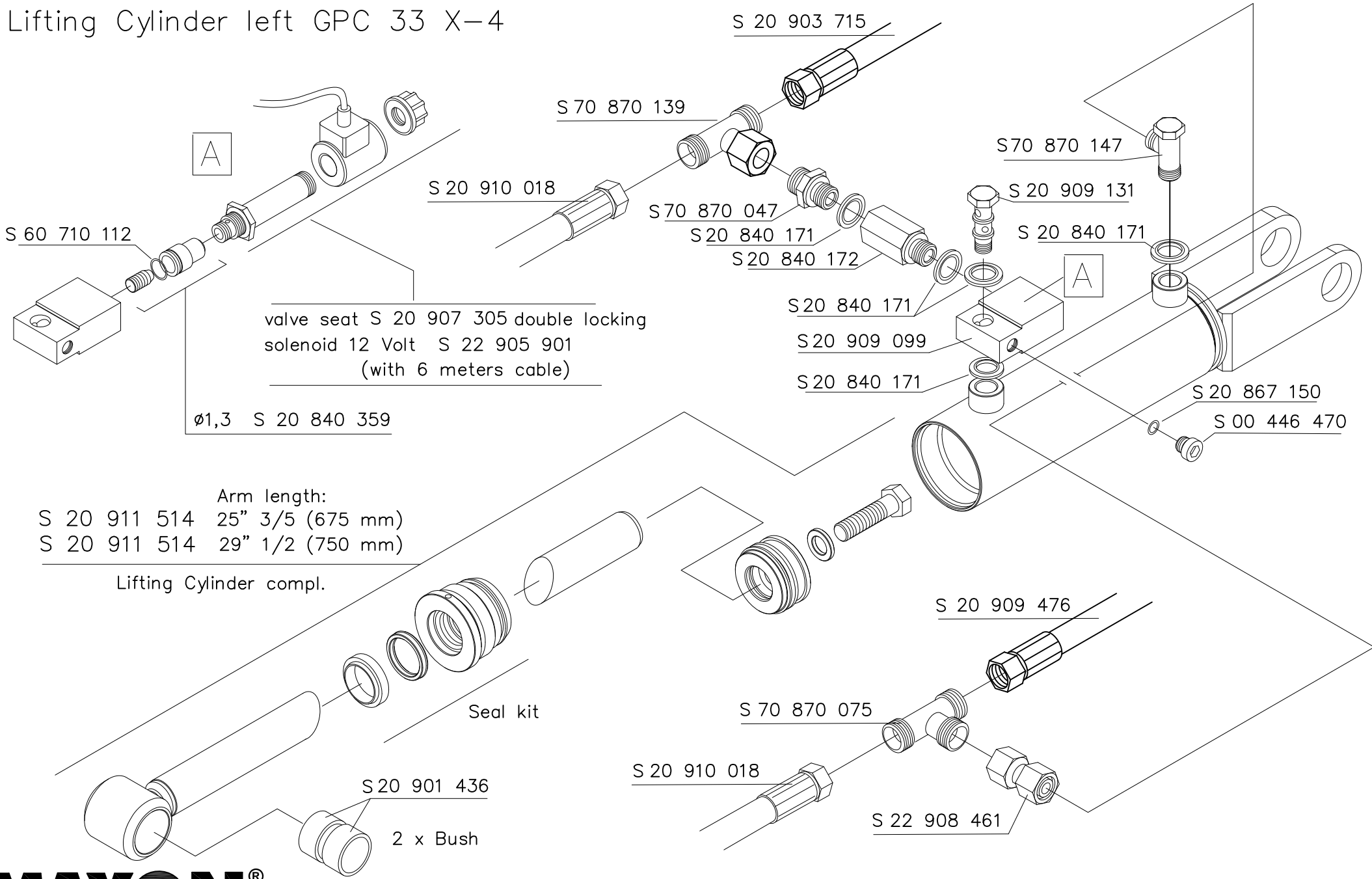
Lifting cylinder right GPC 33 X-4



MAXON®

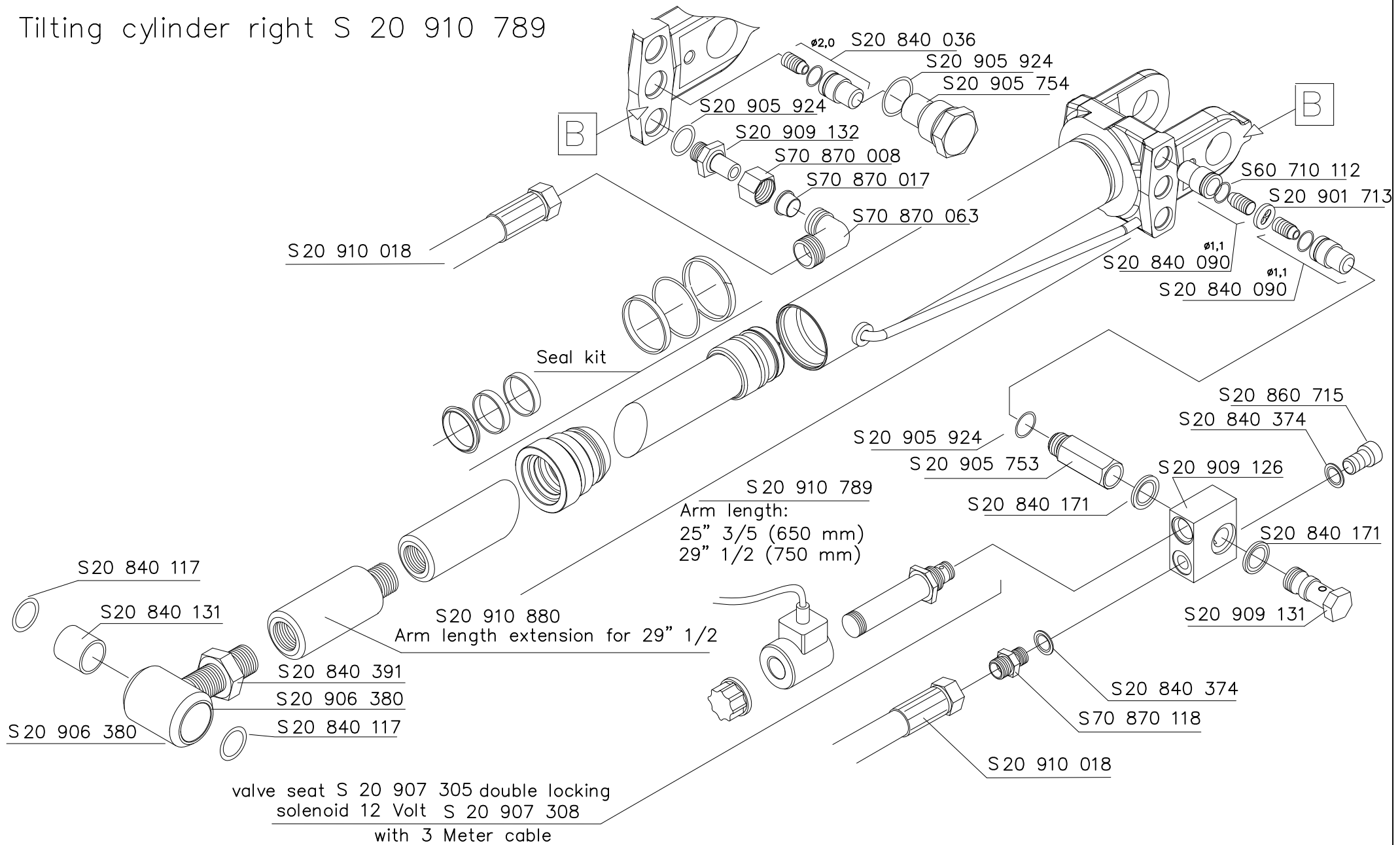
GPC 33 X-4

Lifting Cylinder left GPC 33 X-4



GPC 33 X-4

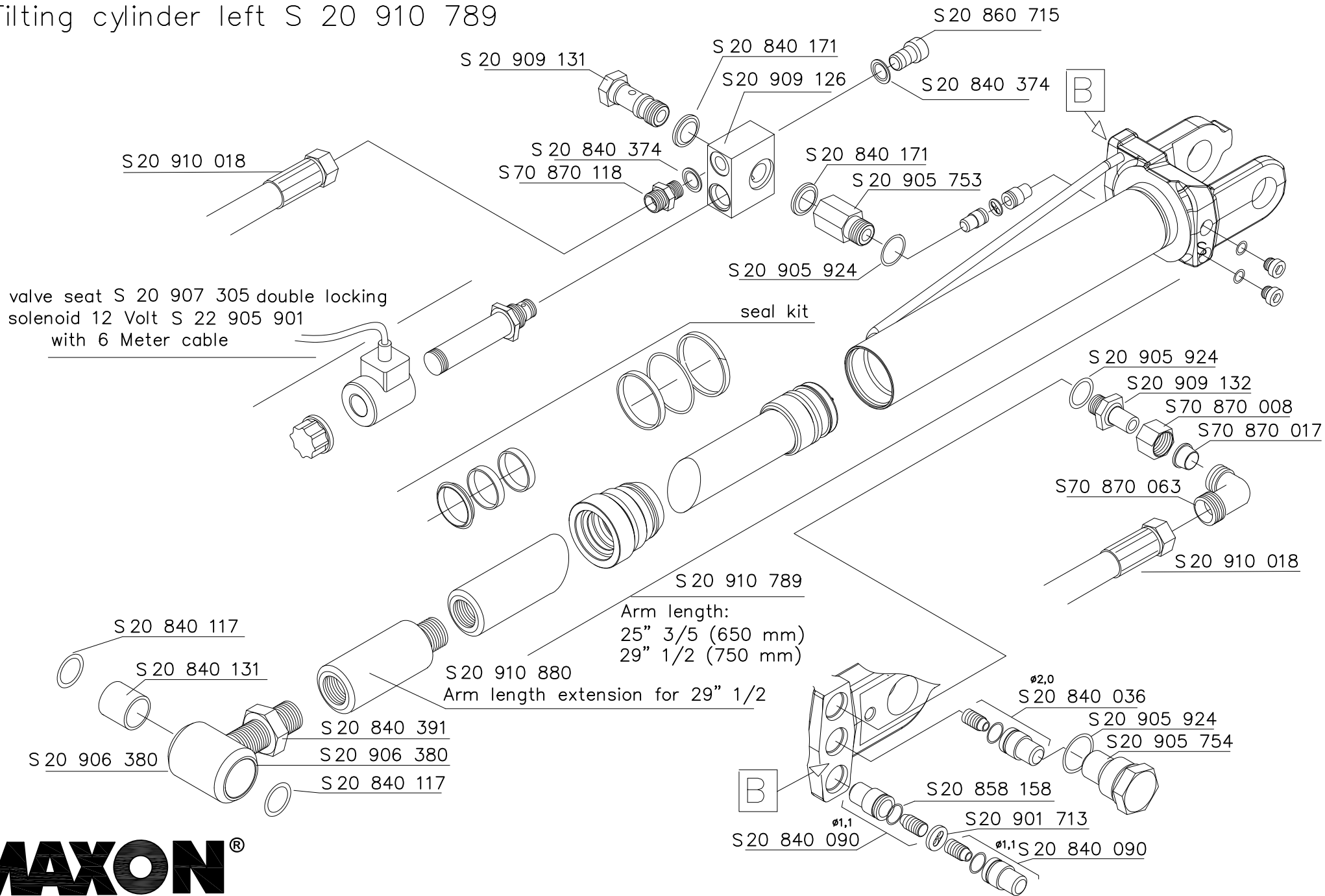
Tilting cylinder right S 20 910 789



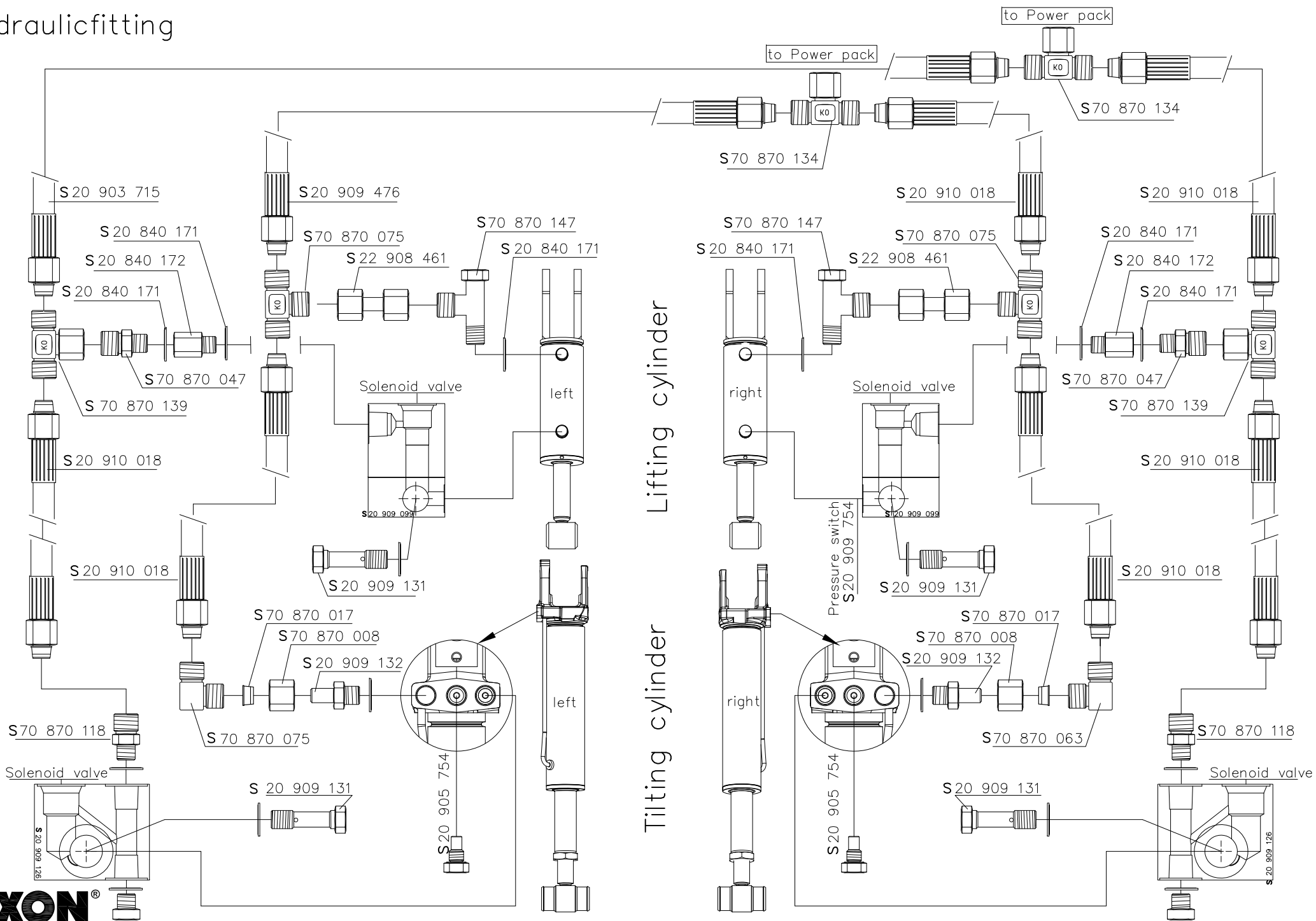
MAXON®

GPC 33 X-4

Tilting cylinder left S 20 910 789

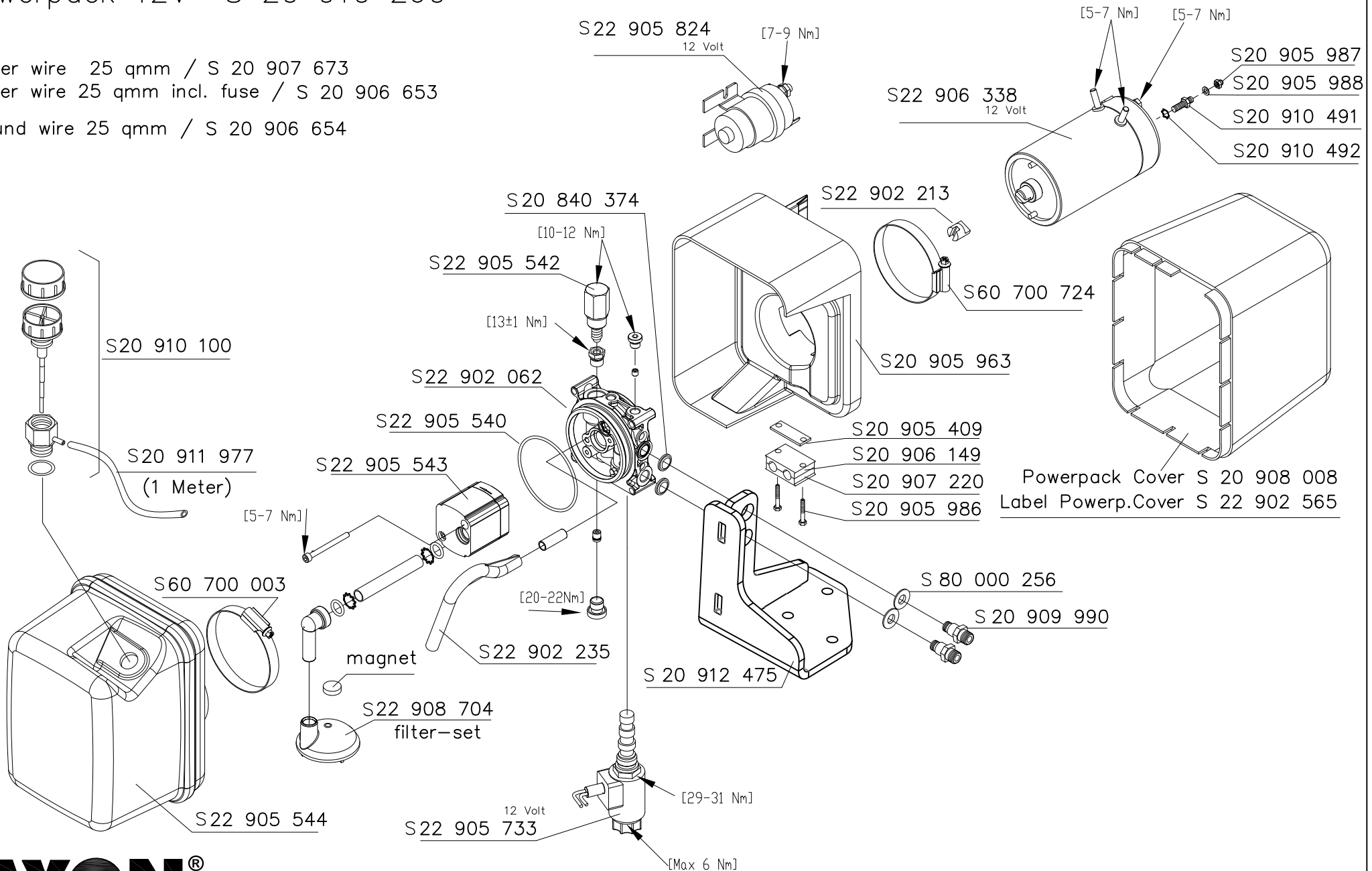


Hydraulicfitting



Powerpack 12V S 20 910 260

Power wire 25 qmm / S 20 907 673
 Power wire 25 qmm incl. fuse / S 20 906 653
 Ground wire 25 qmm / S 20 906 654



MAXON®

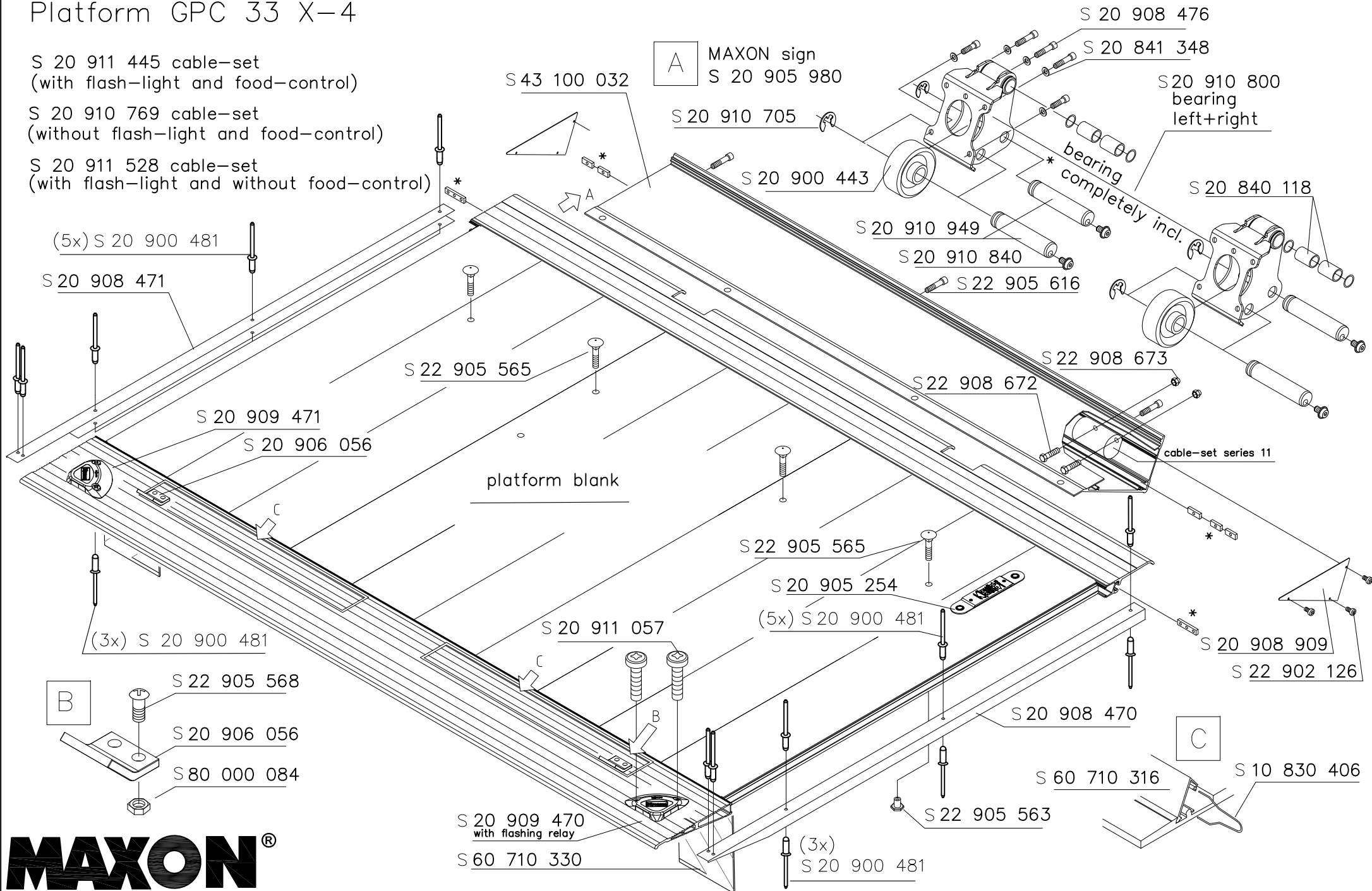
GPC 33 X-4

Platform GPC 33 X-4

S 20 911 445 cable-set
(with flash-light and food-control)

S 20 910 769 cable-set
(without flash-light and food-control)

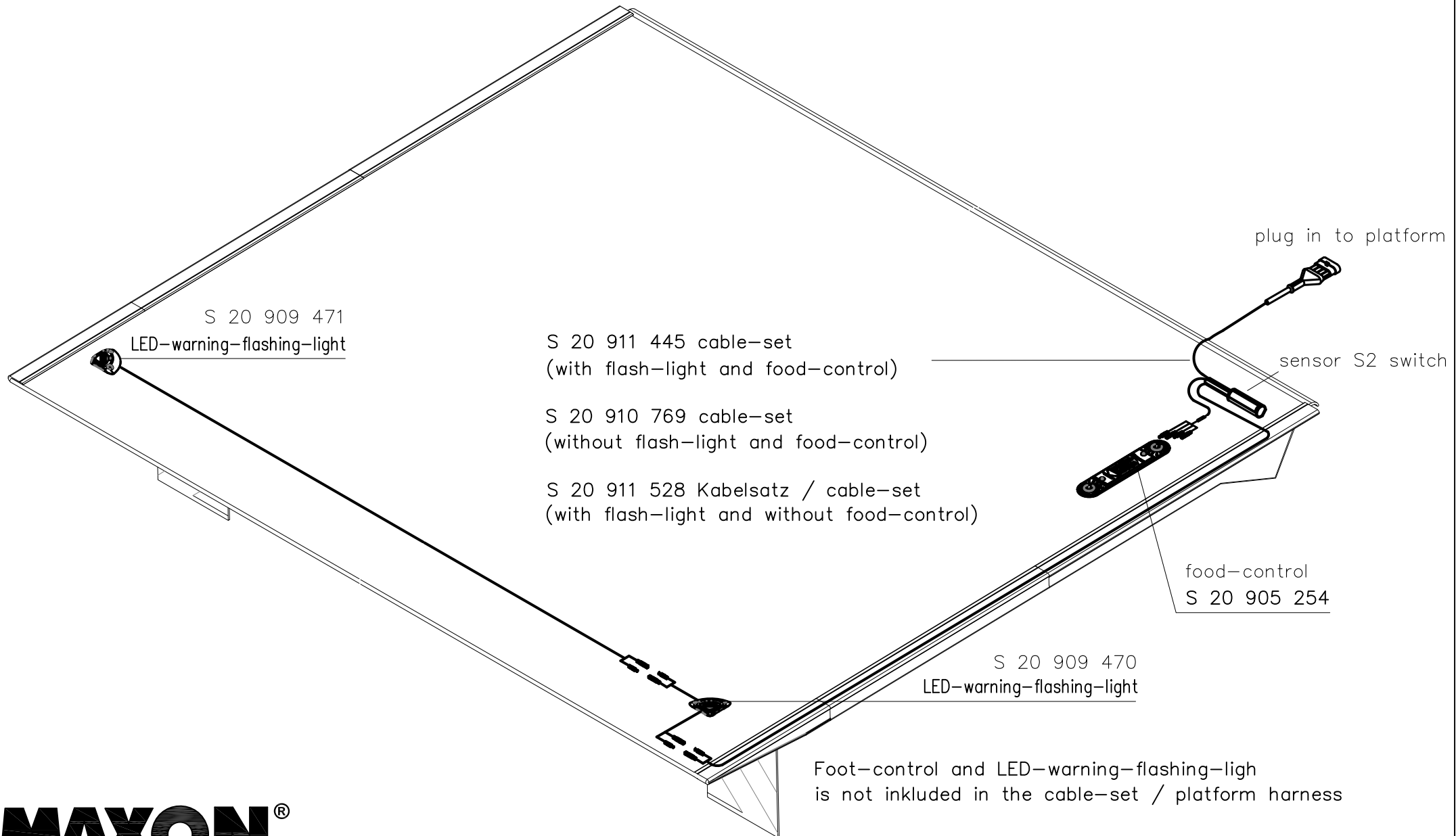
S 20 911 528 cable-set
(with flash-light and without food-control)



MAXON®

GPC 33 X-4

platform set of cables at series 11, GPC X-1 and GPC X-4 standard



MAXON®

GPC X1 - X4 standard

Series 11
Stand 10.2020

Elektrical connection GPC X-1 and X-4 standard liftgate at series 11

Control-Unit with service switch Series 11
(in the powerpack) with plugs for harness

harness
Part.-No. S 20 911 365

option harness
Part.-No. S 20 911 494
for cabled remote

3-button cabled remote
Part.-No. S 20 911 191
2-button cabled remote
Part.-No. S 20 911 190

harness
Part.-No. S 20 911 364

*4 plug connection
2 or 3 button cabled remote

*3 connection plug
platform

*2 connection plug
MAXON control panel

MAXON control panel
Part.-No. S 20 912 464

*5 option harness
Part.-No. S 20 911 495
for radio control remote

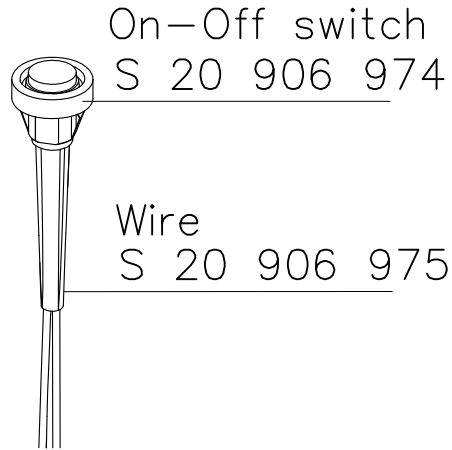
cabin switch on / off
for liftgate
Part.-No. S 20 906 974

option:
control-LED
Part.-No. S 20 905 547

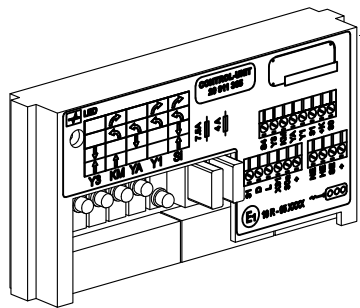
*1 ETMA- connection plug
liftgate on / off switch

MAXON[®]

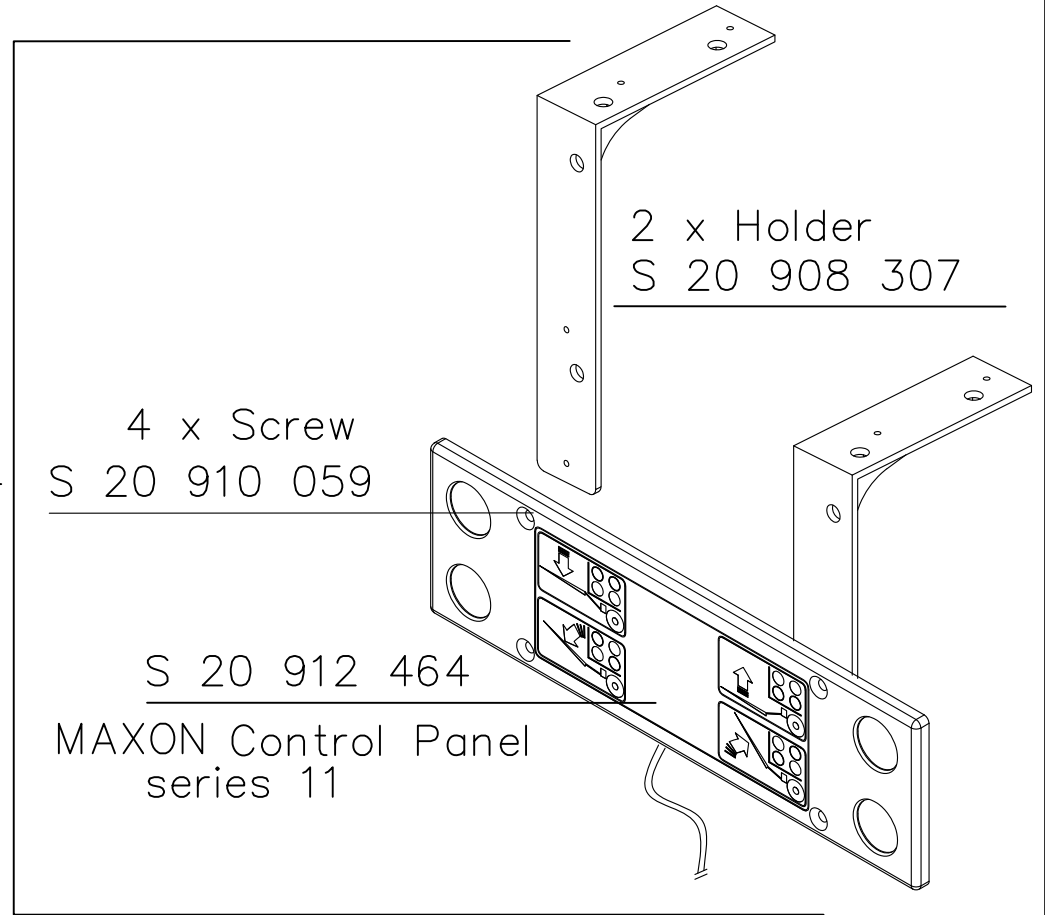
GPC X-1 and GPC X-4 standard Control Unit series 11, Control Panel



MAXON
Control Panel
with Screws
incl. Holder
S 20 912 465



S 20 912 567
MAXON
Control Unit Series 11
with Service Switch



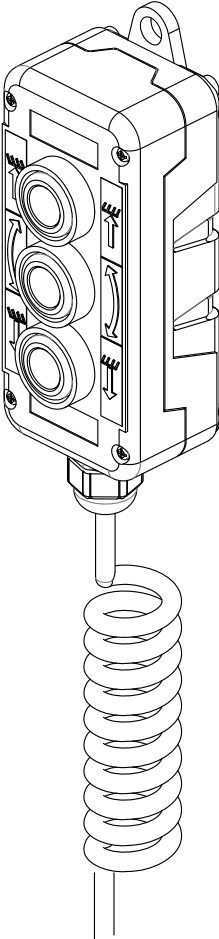
S 20 911 364 with out picture cable-set for Control Unit series 11

S 20 911 359 with out picture cable-set for Powerpack Series 11

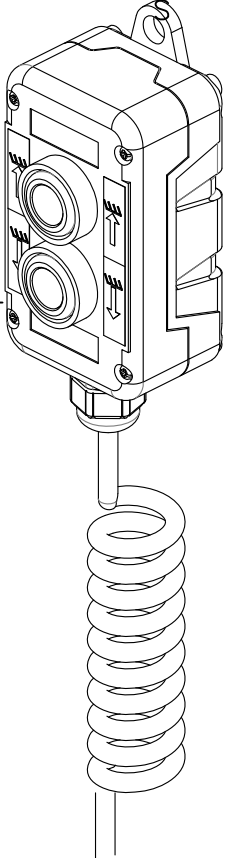
MAXON[®]

Option Cabled remote

3-Button
cabled remote
S 20 911 191



2-Button
cabled remote
S 20 911 190



Holder
S 22 905 783

